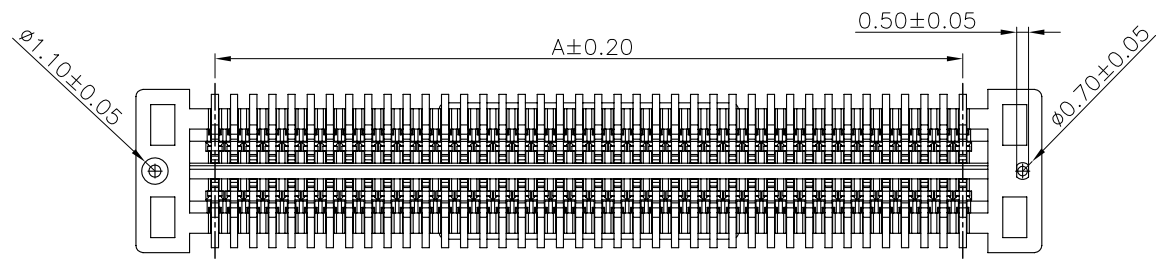
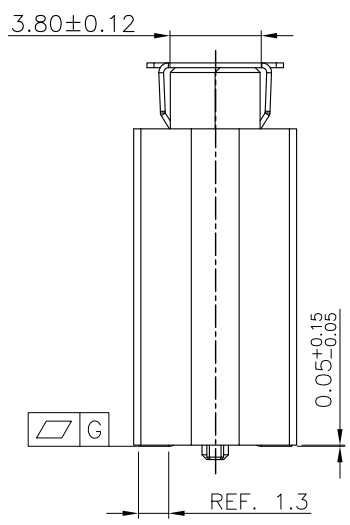
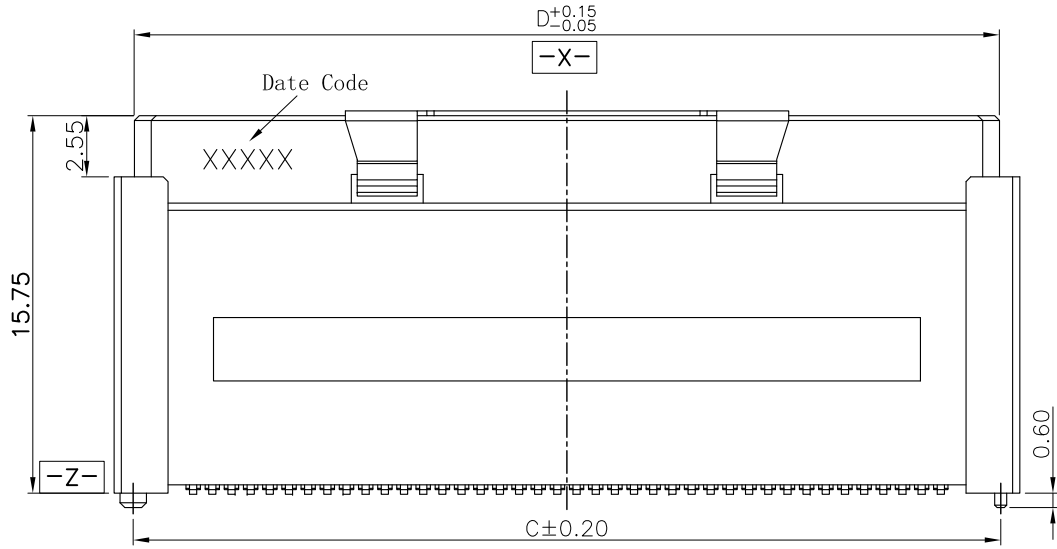
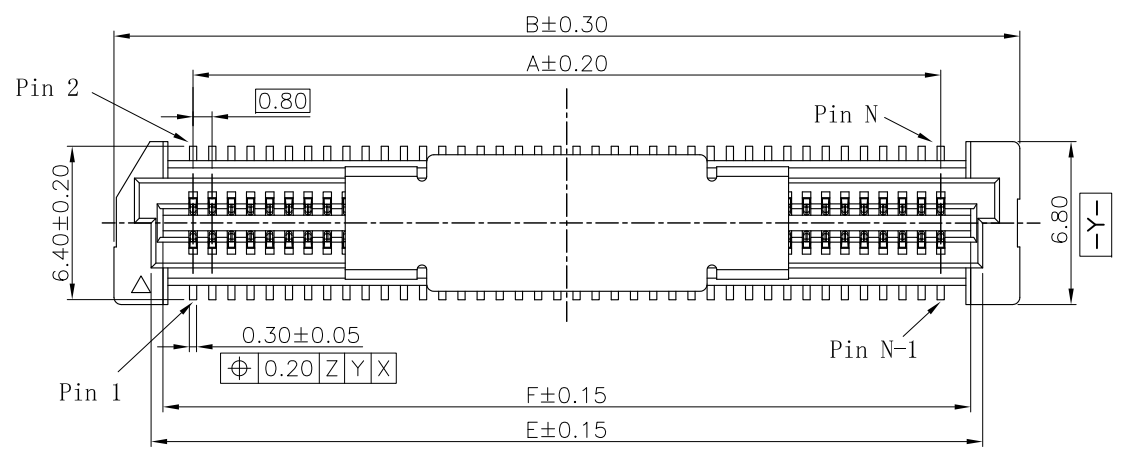
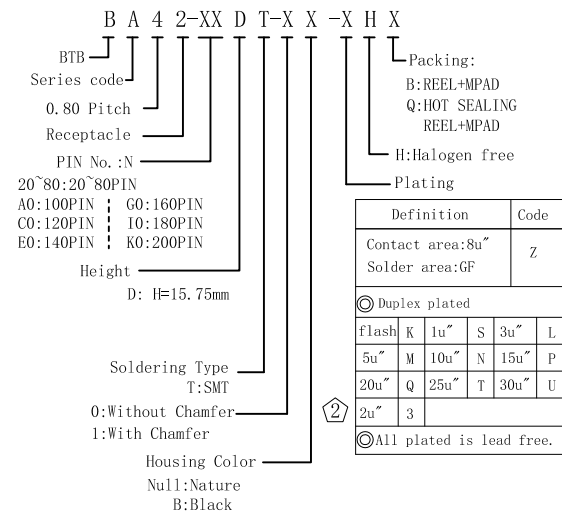


REV.	ECN Number	Description	Drawn
1	CS19060029	RELEASE	Peak_2019.06.14
②	E19100026	Add plating code:3, part NO.comparison	WSY_2019.10.31



NOTES: (UNLESS OTHERWISE SPECIFIED)  
 1. DIMENSION SHALL BE INTERPRETED PER ANSI Y14.5M-1994.  
 2. MATERIAL:  
 HOUSING MATERIAL: HIGH TEMPERATURE PLASTICS.  
 CONTACT MATERIAL: COPPER ALLOY,  
 VACUUM COVER MATERIAL: STAINLESS STEEL.  
 3. PRODUCT NUMBER MATRIX:



ShenZhen ShenTai weixiang Electronics Co., Ltd.

TOLERANCE UNLESS OTHERWISE SPECIFIED			
X.X	±0.30	X.°	±3°
X.XX	±0.20	X.X°	±2°
X.XXX		X.XX°	±1°

SCALE	1:1
UNIT	mm
SIZE	A4

ORIGINAL DRAWN:  
Wu shuying  
 DATE  
2019.10.31  
 CHECK:  
Xu Peiguang  
 DATE  
2019.10.31  
 APPROVE:  
Ady Zhou  
 DATE  
2019.10.31

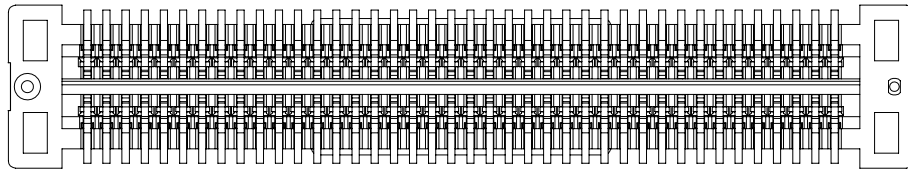
DWG. NO.  
600-0000-0471  
 PARTS NO. (INTENDED USE)  
BA42-XXDT-XX-XHX

TITLE  
BA42-XXDT  
CUSTOMER DRAWING

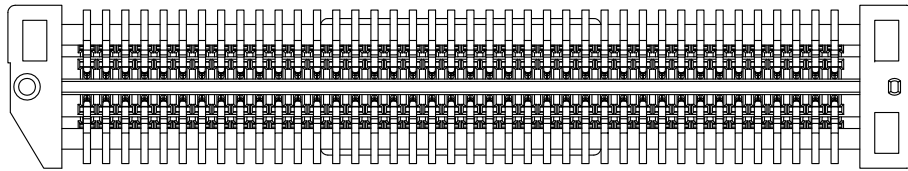
REV.  
2  
 SHEET  
1/2

PRODUCT NUMBER MATRIX: BA42-XXDT-XX-XHX

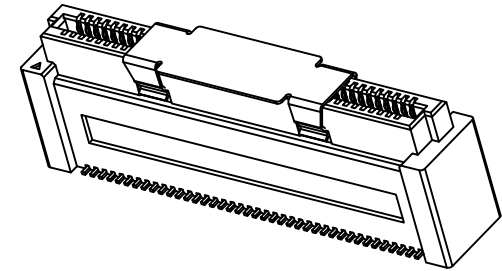
↑  
0:Without Chamfer  
1:With Chamfer



BA42-XXDT-0X-XHX

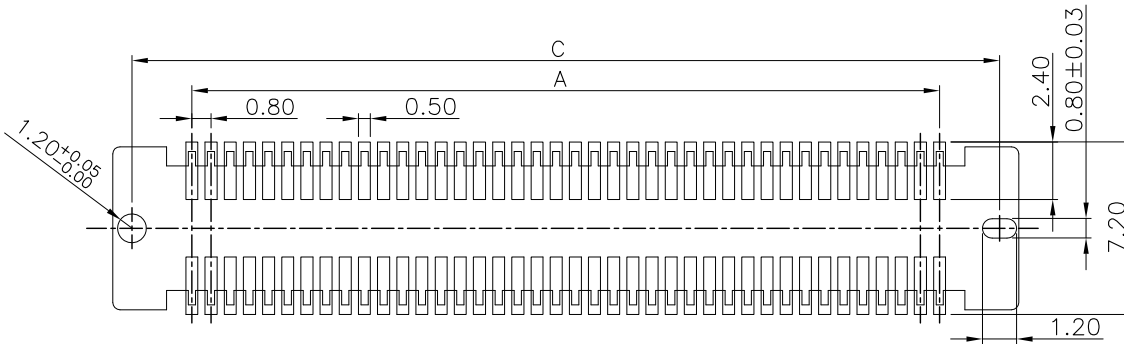


BA42-XXDT-1X-XHX



②

OLD AND PART NO. COMPARISION	
OLD	NEW
ZIV-XXSA-X-X-X	BA42-XXDT-XX-XXX
AB42-XXXX-004	
AB42-XXDT-X-XXX	



RECOMMENDED PCB LAYOUT  
TOLERANCE ±0.05

PIN NO.	CIRCUITS	DIM.A	DIM.B	DIM.C	DIM.D	DIM.E	DIM.F	DIM.G
20	20PIN	7.20	13.80	12.80	12.10	10.7	9.70	0.10
40	40PIN	15.20	21.80	20.20	20.10	18.7	17.7	
60	60PIN	23.20	29.80	28.20	28.10	26.7	25.7	
80	80PIN	31.20	37.80	36.20	36.10	34.7	33.7	
A0	100PIN	39.20	45.80	44.20	44.10	42.7	41.7	0.12
C0	120PIN	47.20	53.80	52.20	52.10	50.7	49.7	
E0	140PIN	55.20	61.80	60.20	60.10	58.7	57.7	
G0	160PIN	63.20	69.80	68.20	68.10	66.7	65.7	
I0	180PIN	71.20	77.80	76.20	76.10	74.7	73.7	
K0	200PIN	79.20	85.80	84.20	84.10	82.7	81.7	



ShenZhen ShenTai weixiang Electronics Co., Ltd.

TOLERANCE UNLESS OTHERWISE SPECIFIED

X.X	±0.30	X.°	±3°
X.XX	±0.20	X.X°	±2°
X.XXX		X.XX°	±1°

SCALE	1:1
UNIT	mm
SIZE	A4

ORIGINAL DRAWN:  
Wu shuying  
CHECK:  
Xu Peiguang  
APPROVE:  
Ady Zhou

DATE  
2019.10.31  
DATE  
2019.10.31  
DATE  
2019.10.31

DWG. NO.  
600-0000-0471  
PARTS NO. (INTENDED USE)  
BA42-XXDT-XX-XHX

TITLE  
BA42-XXDT  
CUSTOMER DRAWING

REV.  
2  
SHEET  
2/2

## X-ON Electronics

Largest Supplier of Electrical and Electronic Components

*Click to view similar products for [Board to Board & Mezzanine Connectors](#) category:*

*Click to view products by [STWXE](#) manufacturer:*

Other Similar products are found below :

[589158040000018](#) [MDF7C-18P-2.54DSA\(55\)](#) [FCN-268F036-G/BD](#) [FCN-268M012-G/0D](#) [FCN-268M024-G/1D](#) [MIS-048-01-F-D-DP-K](#)  
[832-10-034-10-001000](#) [FX4C-80S-1.27DSA](#) [93696-330](#) [224393](#) [FCN-235D050-G/C](#) [210-93-314-41-105000](#) [MDF7-40DP-2.54DSA\(55\)](#)  
[55323-1519](#) [069159702701000](#) [101A10019X](#) [105061100000861+](#) [75140-7012](#) [87471-650](#) [1744382-4](#) [063209](#) [10124054-515LF](#) [68685-603](#)  
[8-1616154-3](#) [541371078](#) [IL-WX-10PB-HF-B-E1000E](#) [FX23-40P-0.5SV15B](#) [FCN-214J100-G/0](#) [354184](#) [P50-028-DDS-TG](#) [53309-2471](#)  
[54546-2071](#) [1586617-1](#) [504248-1210](#) [504248-2010](#) [1-1437355-2](#) [9159005551906](#) [NDS100-004-BF](#) [93696-730LF](#) [91922-31141LF](#) [505274-](#)  
[3440](#) [501493-2410](#) [504208-3410](#) [505006-0811](#) [505274-2040](#) [202436-1600](#) [202477-0414](#) [71660-7580](#) [73420-5192](#) [360-10-107-00-001000](#)