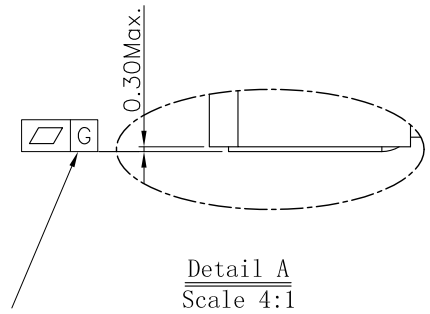
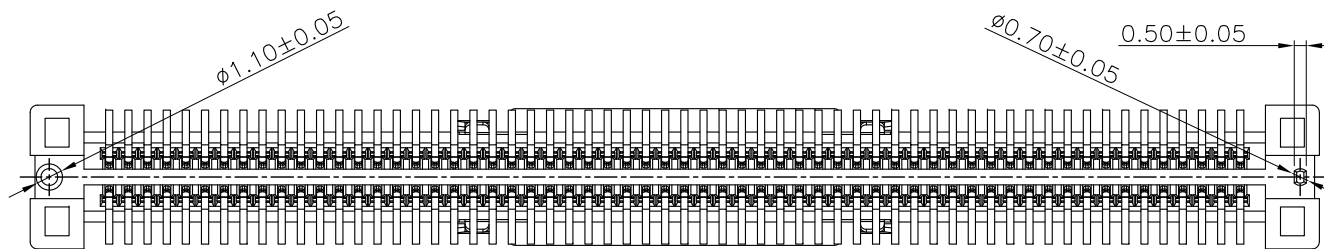
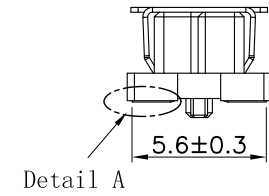
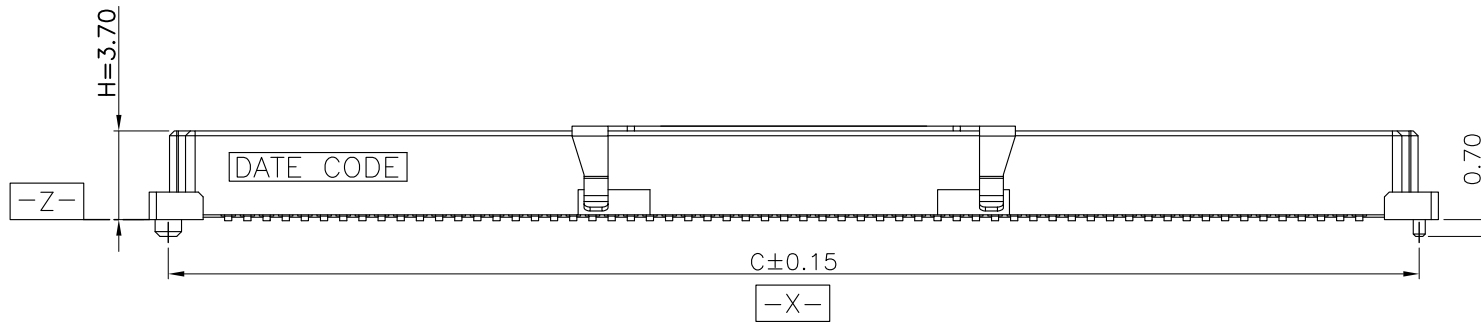
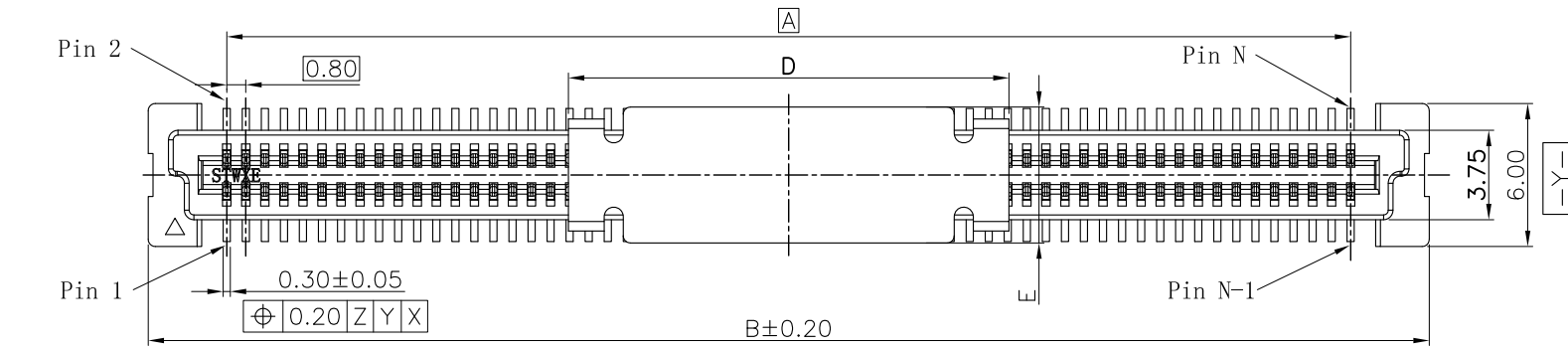


REV.	ECN Number	Description	Drawn
1	CS19010037	RELEASE	XPG_2019.01.09
②	E19040023	Modify Spec.	Peak_2019.04.26
③	E23050014	Modify MPAD	Peak_2021.06.10



SEE TABLE OF SHEET 2/2



ShenZhen ShenTai weixiang Electronics Co., Ltd.

TOLERANCE UNLESS OTHERWISE SPECIFIED

X.X	±0.30	X.°	±3°
X.XX	±0.20	X.X°	±2°
X.XXX		X.XX°	±1°

SCALE	1:1
UNIT	mm
SIZE	A4

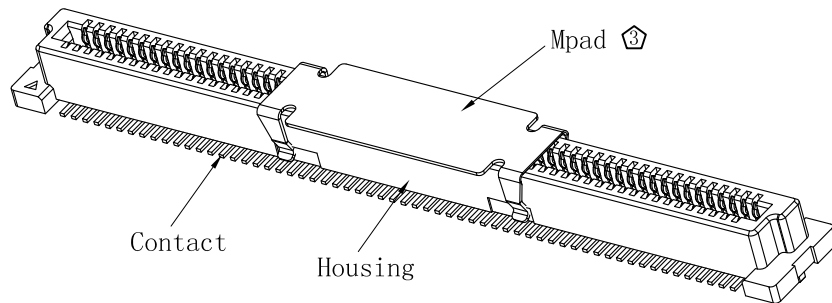
ORIGINAL DRAWN: Peak
 CHECK: Xu Peiguang
 APPROVE: Ady Zhou

DATE 2021.06.10
 DATE 2021.06.10
 DATE 2021.06.10

DWG. NO. 600-0000-0435
 PARTS NO. (INTENDED USE) BA42-XXAT-XX-XHX

TITLE
 BA42-XXAT
 CUSTOMER DRAWING

REV. 3
 SHEET 1/2



- NOTES: (UNLESS OTHERWISE SPECIFIED)
- DIMENSION SHALL BE INTERPRETED PER ANSI Y14.5M-1994.
 - MATERIAL:
 - HOUSING MATERIAL: HIGH TEMPERATURE PLASTICS.
 - CONTACT MATERIAL: COPPER ALLOY,
 - MPAD MATERIAL: STAINLESS STEEL.
 - ELECTRICAL SPECIFICATION:
 - CONTACT RESISTANCE: 40 mΩ Max(Initial).
 - INSULATION RESISTANCE: 1000MΩ Min.
 - CURRENT RATING: 0.8A.
 - DIELECTRIC WITHSTANDING VOLTAGE: 500V AC rms./minute
 - MECHANICAL SPECIFICATION:
 - DURABILITY:30 CYCLES Min.
 - INSERTION FORCE: 90gf Max. Per Pin.
 - WITHDRAWAL FORCE: 10gf Min. Per Pin.
 - PRODUCT NUMBER MATRIX:

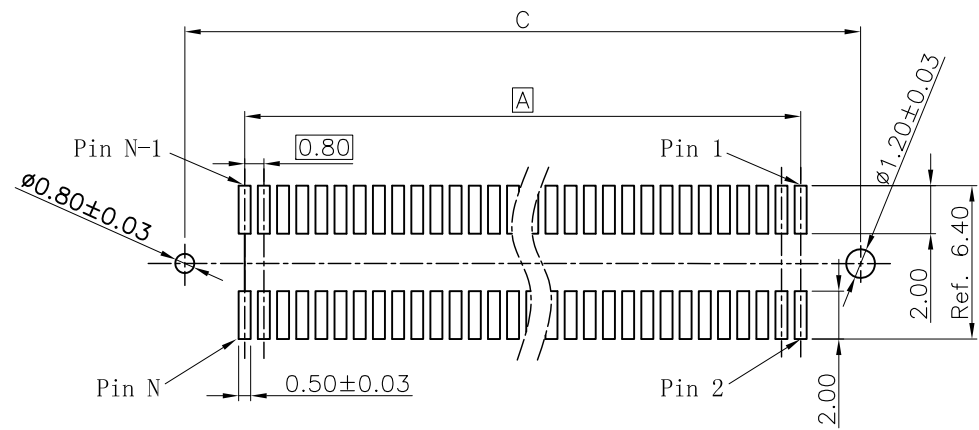
Series code: BTB
 0.80 Pitch
 Receptacle
 PIN No.: N
 20~80:20~80PIN
 A0:100PIN G0:160PIN
 C0:120PIN I0:180PIN
 E0:140PIN K0:200PIN
 Height

Packing:
 B:REEL+MPAD
 H:Halogen free
 Plating

Definition	Code
⊙ Matte Tin plated	A
⊙ Bright Tin plated	V
⊙ Duplex plated	
flash	K 1u" S 3u" L
5u"	M 10u" N 15u" P
20u"	Q 25u" T 30u" U
⊙ All plated is lead free.	

Soldering Type
 T:SMT
 0:Without Chamfer
 1:With Chamfer

Housing Color
 Null:Nature
 B:Black



RECOMMENDED PCB LAYOUT
 TOLERANCE ±0.05

CKT	DIM.A	DIM.B	DIM.C	DIM.D	DIM.E	DIM.G
20	7.20	13.80	12.20	7.50	5.70	0.10
40	15.20	21.80	20.20	7.50		
60	23.20	29.80	28.20	18.50		
80	31.20	37.80	36.20	18.50		
100	39.20	45.80	44.20	18.50	0.12	
120	47.20	53.80	52.20	18.50		
140	55.20	61.80	60.20	18.50		
160	63.20	69.80	68.20	18.50		
180	71.20	77.80	76.20	18.50		
200	79.20	85.80	84.20	18.50		



ShenZhen ShenTai weixiang Electronics Co., Ltd.

TOLERANCE UNLESS OTHERWISE SPECIFIED				SCALE 1:1	ORIGINAL DRAWN: Peak	DATE 2021.06.10	DWG. NO. 600-0000-0435	TITLE	REV. 3
X.X	±0.30	X.°	±3°	UNIT mm	CHECK: Xu Peiguang	DATE 2021.06.10	PARTS NO. (INTENDED USE) BA42-XXAT-XX-XHX	BA42-XXAT CUSTOMER DRAWING	SHEET
X.XX	±0.20	X.X°	±2°	SIZE A4	APPROVE: Ady Zhou	DATE 2021.06.10			2/2

X-ON Electronics

Largest Supplier of Electrical and Electronic Components

Click to view similar products for [Board to Board & Mezzanine Connectors](#) category:

Click to view products by [STWXE](#) manufacturer:

Other Similar products are found below :

[589158040000018](#) [MDF7C-18P-2.54DSA\(55\)](#) [FCN-268F036-G/BD](#) [FCN-268M012-G/0D](#) [FCN-268M024-G/1D](#) [MIS-048-01-F-D-DP-K](#)
[832-10-034-10-001000](#) [FX4C-80S-1.27DSA](#) [93696-330](#) [224393](#) [FCN-235D050-G/C](#) [210-93-314-41-105000](#) [MDF7-40DP-2.54DSA\(55\)](#)
[MIT-114-03-F-D-K](#) [55323-1519](#) [026-6203-PDB](#) [027-6203-PDB](#) [069159702701000](#) [101A10019X](#) [105061100000861+](#) [55650-0588-C](#) [75140-](#)
[7012](#) [87471-650](#) [YTW-30-07-H-Q-410-140](#) [YTT-112-01-H-Q](#) [063209](#) [10124054-515LF](#) [68685-603](#) [8-1616154-3](#) [MIS-019-01-F-D](#) [YTQ-](#)
[12103HQ](#) [541371078](#) [IL-WX-10PB-HF-B-E1000E](#) [FCN-214J100-G/0](#) [FCN-230C068-E/S](#) [354184](#) [MIT-019-04-F-D-K](#) [P50-028-DDS-TG](#)
[53309-2471](#) [54546-2071](#) [1586617-1](#) [504208-3010](#) [504208-5010](#) [504248-1010](#) [504248-1210](#) [504248-2010](#) [LST-115-07-S-D](#) [LST-105-07-G-](#)
[D](#) [9159005551906](#) [NDS100-004-BF](#)