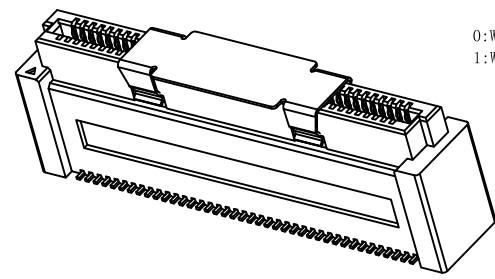
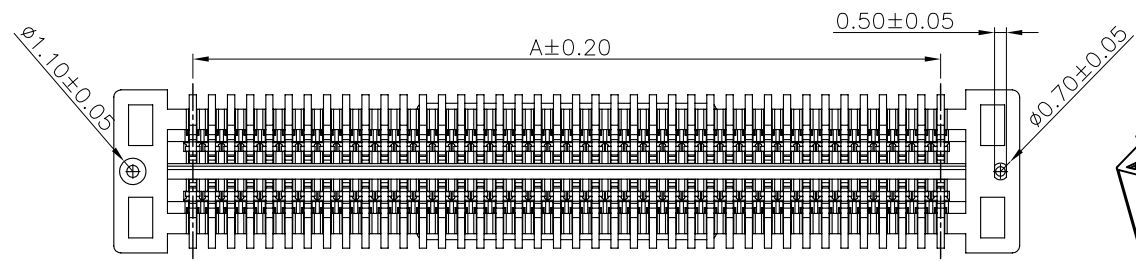
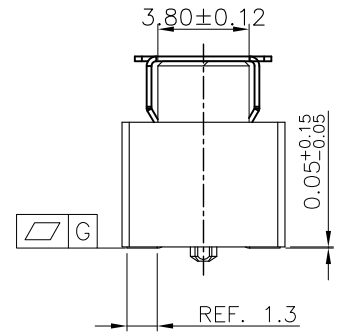
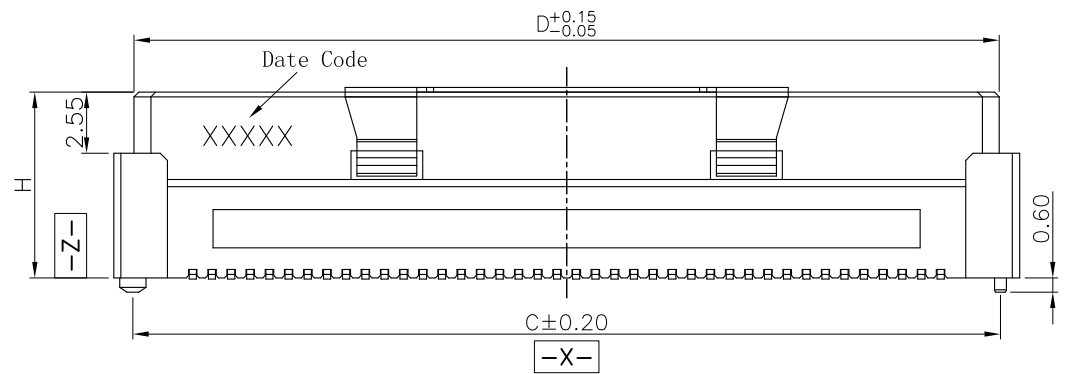
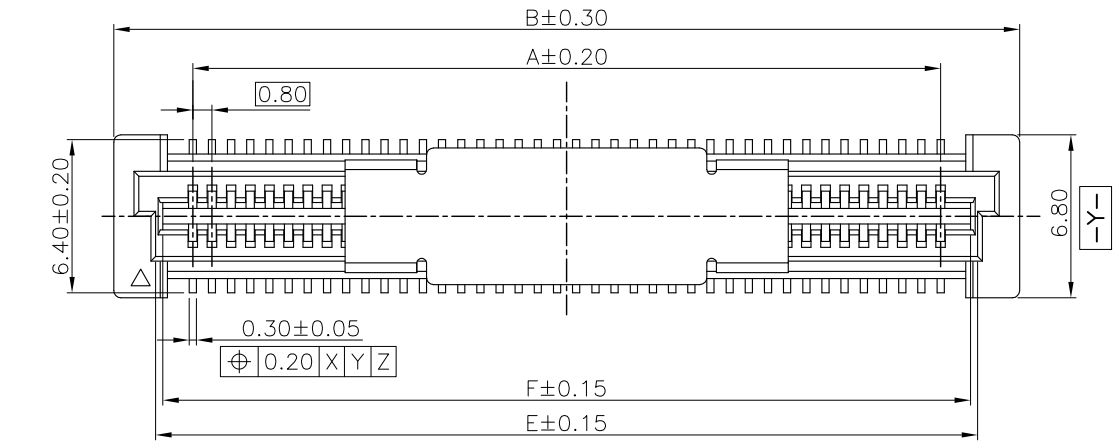


REV.	ECN Number	Description	Drawn
1	E17070069	RELEASE	XPG_2017.07.20
②	E18030021	ADD PART NUMBER	XPG_2018.03.26



- NOTES: (UNLESS OTHERWISE SPECIFIED)
- DIMENSION SHALL BE INTERPRETED PER ANSI Y14.5M-1994.
  - MATERIAL:  
HOUSING MATERIAL: HIGH TEMPERATURE PLASTICS.  
CONTACT MATERIAL: COPPER ALLOY,  
VACUUM COVER MATERIAL: STAINLESS STEEL.
  - ELECTRICAL SPECIFICATION:  
CONTACT RESISTANCE: 50 m ohms Max(Initial).  
INSULATION RESISTANCE: 100M ohms Min.  
CURRENT RATING: 0.5A.  
DIELECTRIC WITHSTANDING VOLTAGE: 500V AC rms./minute
  - MECHANICAL SPECIFICATION:  
DURABILITY:30 CYCLES.  
INSERTION FORCE: 150gf Max. PER PIN.  
WITHDRAWAL FORCE: 25gf Min. PER PIN.
  - PRODUCT NUMBER MATRIX:

Series code: B A 4 2-XX X T-X X -X H X

0.80 Pitch

Receptacle

PIN No.

40°80:40°80PIN

A0:100PIN ; G0:160PIN

C0:120PIN ; I0:180PIN

E0:140PIN ; K0:200PIN

Height

B: H=7.75mm

C: H=11.75mm

Soldering Type

T:SMT

0:Without Chamfer

1:With Chamfer

Housing Color

Null:Nature

B:Black

Packing:

B:REEL+MPAD

Q:HOT SEALING REEL+MPAD

H:Halogen free

Plating

Definition	Code
⊙Matte Tin plated	A
⊙Bright Tin plated	V
⊙Gold plated over all	
Flash B	1u" R 3u" C
5u" D	10u" E 15u" F
20u" G	25u" H 30u" J
⊙Duplex plated	
flash K	1u" S 3u" L
5u" M	10u" N 15u" P
20u" Q	25u" T 30u" U
⊙All plated is lead free.	



ShenZhen ShenTai weixiang Electronics Co., Ltd.

TOLERANCE UNLESS OTHERWISE SPECIFIED			
X.X	±0.30	X.°	±3°
X.XX	±0.20	X.X°	±2°
X.XXX		X.XX°	±1°

SCALE	1:1
UNIT	mm
SIZE	A4

ORIGINAL DRAWN:  
Xu Peiguang

CHECK:  
Xie Yong

APPROVE:  
Ady Zhou

DATE  
2018.03.26

DATE  
2018.03.26

DATE  
2018.03.26

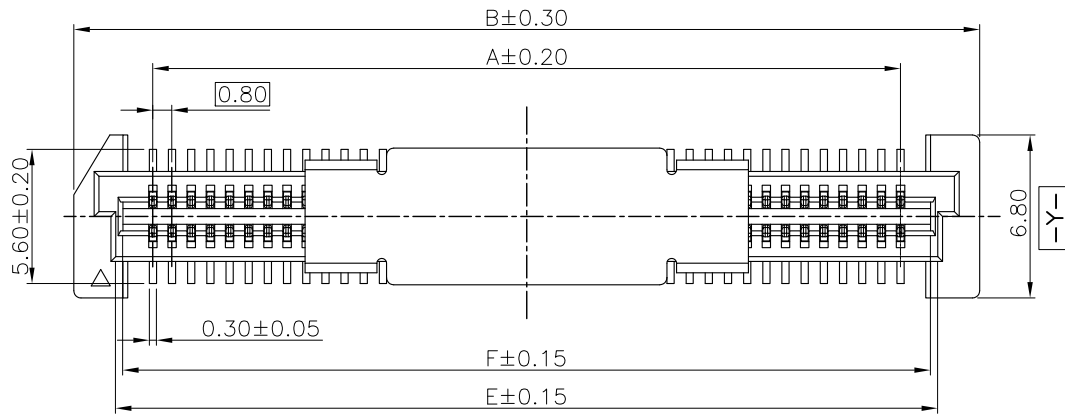
DWG. NO.  
600-0000-0223

PARTS NO. (INTENDED USE)  
BA42-XXXT-XX-XHX

TITLE  
BA42  
CUSTOMER DRAWING

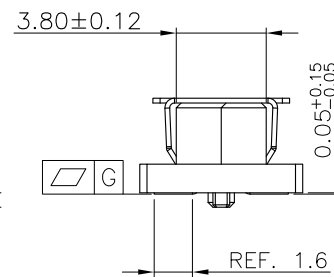
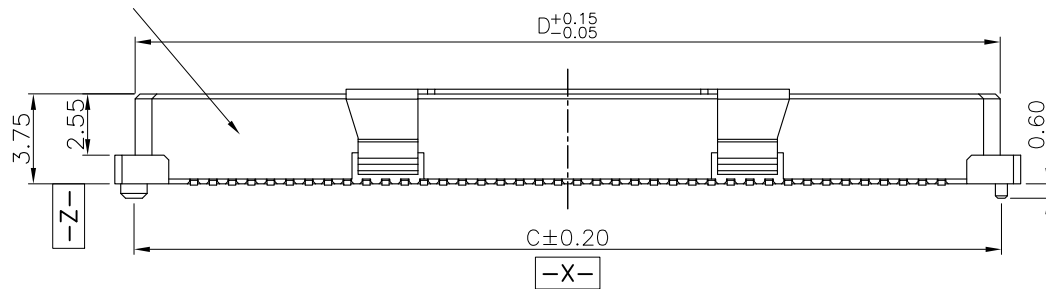
REV.  
2

SHEET  
1/3



- NOTES: (UNLESS OTHERWISE SPECIFIED)  
 1. DIMENSION SHALL BE INTERPRETED PER ANSI Y14.5M-1994.  
 2. MATERIAL:  
 HOUSING MATERIAL: HIGH TEMPERATURE PLASTICS.  
 CONTACT MATERIAL: COPPER ALLOY,  
 VACUUM COVER MATERIAL: STAINLESS STEEL.  
 3. ELECTRICAL SPECIFICATION:  
 CONTACT RESISTANCE: 50 m ohms Max(Initial).  
 INSULATION RESISTANCE: 100M ohms Min.  
 CURRENT RATING: 0.5A.  
 DIELECTRIC WITHSTANDING VOLTAGE: 500V AC rms./minute  
 4. MECHANICAL SPECIFICATION:  
 DURABILITY:30 CYCLES.  
 INSERTION FORCE: 150gf Max. PER PIN.  
 WITHDRAWAL FORCE: 25gf Min. PER PIN.  
 5. PRODUCT NUMBER MATRIX:

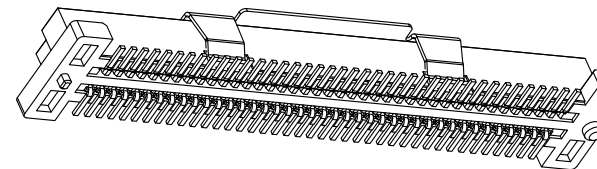
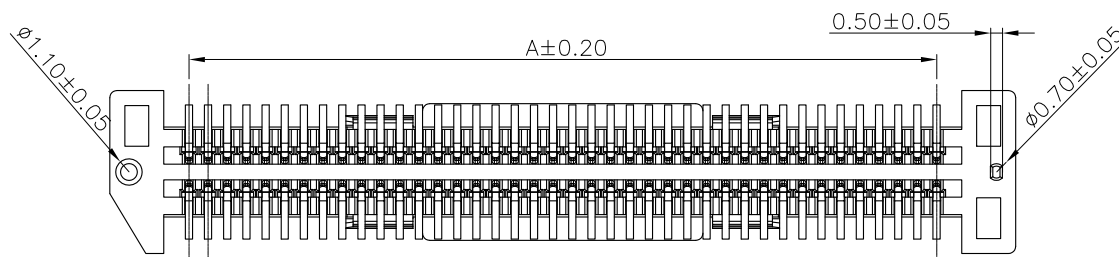
Not enough space to print date code



Series code: B A 4 2-XX X T-X X -X H X  
 Receptacle: 0.80 Pitch  
 PIN No.: 40~80:40~80PIN  
 A0:100PIN ; G0:160PIN  
 C0:120PIN ; I0:180PIN  
 E0:140PIN ; K0:200PIN  
 Height: A: H=3.75mm  
 Soldering Type: T:SMT  
 0:Without Chamfer  
 1:With Chamfer  
 Housing Color: Null:Nature B:Black

Packing:  
 B: REEL+MPAD  
 Q: HOT SEALING  
 REEL+MPAD  
 H: Halogen free  
 Plating

Definition	Code
⊙ Matte Tin plated	A
⊙ Bright Tin plated	V
⊙ Gold plated over all	
flash B 1u" R 3u" C	
5u" D 10u" E 15u" F	
20u" G 25u" H 30u" J	
⊙ Duplex plated	
flash K 1u" S 3u" L	
5u" M 10u" N 15u" P	
20u" Q 25u" T 30u" U	
⊙ All plated is lead free.	



ShenZhen ShenTai weixiang Electronics Co., Ltd.

TOLERANCE UNLESS OTHERWISE SPECIFIED			
X. X	±0.30	X. °	±3°
X. XX	±0.20	X. X°	±2°
X. XXX		X. XX°	±1°

SCALE	1:1
UNIT	mm
SIZE	A4

ORIGINAL DRAWN:	Xu Peiguang	DATE	2018. 03. 26
CHECK:	Xie Yong	DATE	2018. 03. 26
APPROVE:	Ady Zhou	DATE	2018. 03. 26

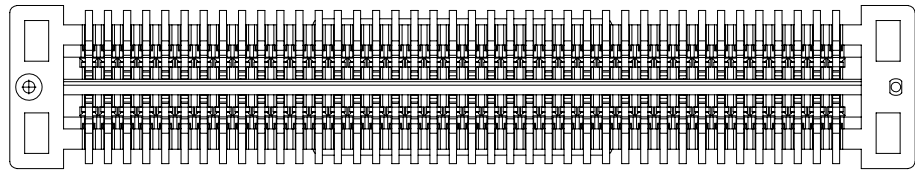
DWG. NO.	600-0000-0223
PARTS NO. (INTENDED USE)	BA42-XXXT-XX-XHX

TITLE	BA42 CUSTOMER DRAWING
-------	--------------------------

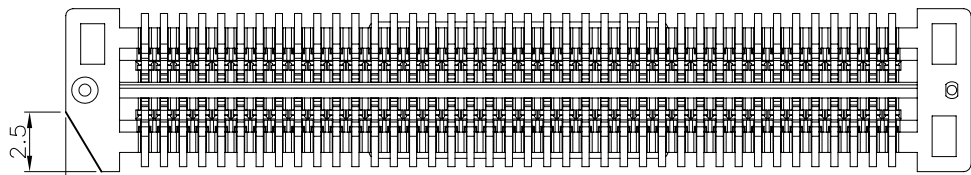
REV.	2
SHEET	2/3

PRODUCT NUMBER MATRIX: BA42-XXXT-XX-XHX

0:Without Chamfer  
1:With Chamfer



BA42-XXXT-0X-XHX



BA42-XXXT-1X-XHX

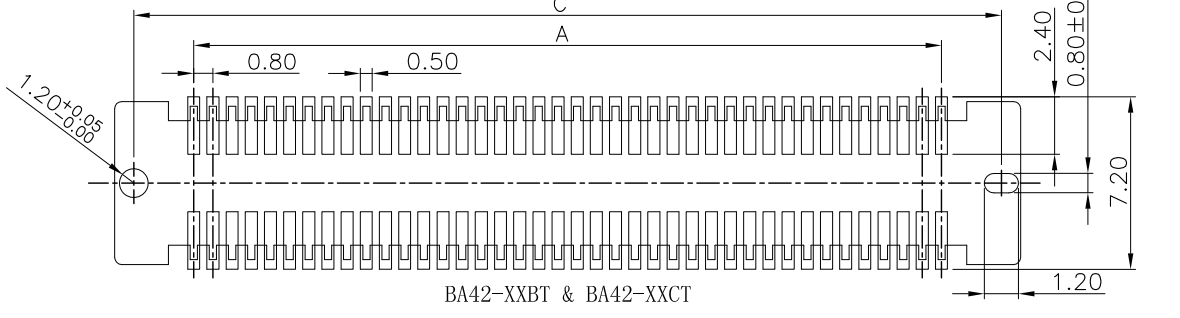
②

OLD AND PART NO. COMPARISION	
OLD	NEW
ZIV-40S4-VN-1-B	BA42-40CT-0-NHB
ZIV-80S4-N-1-B	BA42-80CT-0-NHB
ZIV80S4N1B	
AB42-80NB-H-003	
AB42-80NB-1-003	BA42-80CT-1-NHB
ZIV-40S5-N-1-B-S01	BA42-40BT-1-NHB
ZIV-80S5-N-1-B-S01	BA42-80BT-1-NHB
AB42-80NB-H-001	BA42-80AT-1-NHB
AB42-A0NB-H-002	BA42-A0BT-0-NHB

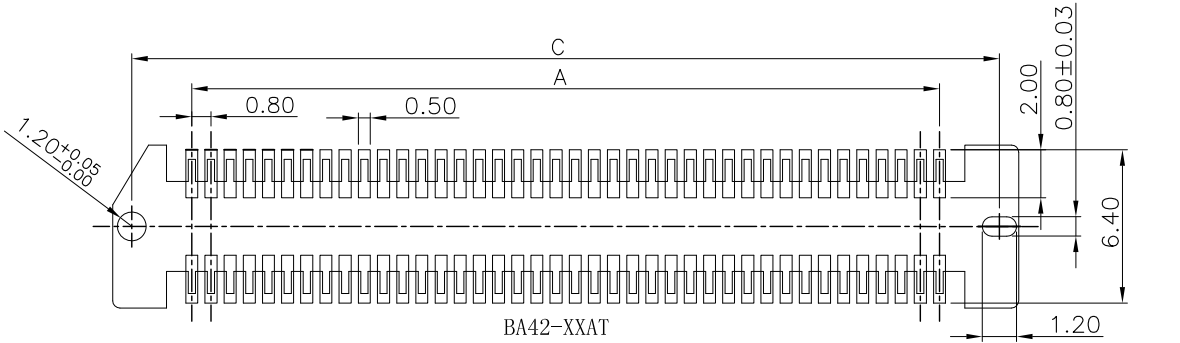
②

RECOMMENDED PCB LAYOUT

TOLERANCE ±0.05



BA42-XXBT & BA42-XXCT



BA42-XXAT

PIN NO.	CIRCUITS	DIM.A	DIM.B	DIM.C	DIM.D	DIM.E	DIM.F	DIM.G
20	20PIN	7.20	13.80	12.80	12.10	10.7	9.70	0.10
40	40PIN	15.20	21.80	20.20	20.10	18.7	17.7	
60	60PIN	23.20	29.80	28.20	28.10	26.7	25.7	
80	80PIN	31.20	37.80	36.20	36.10	34.7	33.7	
A0	100PIN	39.20	45.80	44.20	44.10	42.7	41.7	0.12
C0	120PIN	47.20	53.80	52.20	52.10	50.7	49.7	
E0	140PIN	55.20	61.80	60.20	60.10	58.7	57.7	
G0	160PIN	63.20	69.80	68.20	68.10	66.7	65.7	
I0	180PIN	71.20	77.80	76.20	76.10	74.7	73.7	
K0	200PIN	79.20	85.80	84.20	84.10	82.7	81.7	



ShenZhen ShenTai weixiang Electronics Co., Ltd.

TOLERANCE UNLESS OTHERWISE SPECIFIED			
X.X	±0.30	X.°	±3°
X.XX	±0.20	X.X°	±2°
X.XXX		X.XX°	±1°

SCALE	1:1
UNIT	mm
SIZE	A4

ORIGINAL DRAWN: Xu Peiguang  
DATE: 2018.03.26  
CHECK: Xie Yong  
DATE: 2018.03.26  
APPROVE: Ady Zhou  
DATE: 2018.03.26

DWG. NO. 600-0000-0223  
PARTS NO. (INTENDED USE) BA42-XXXT-XX-XHX

TITLE BA42 CUSTOMER DRAWING

REV. 2  
SHEET 3/3

## X-ON Electronics

Largest Supplier of Electrical and Electronic Components

*Click to view similar products for [Headers & Wire Housings](#) category:*

*Click to view products by [STWXE](#) manufacturer:*

Other Similar products are found below :

[95000-104TRLF](#) [10135584-644402LF](#) [DF62W-EP2022PCA](#) [95000-106TRLF](#) [DF62W-2022SCA](#) [DF62W-EP2022PC](#) [2203348](#) [DF62W-2022SC](#) [1084018](#) [1029039](#) [1084017](#) [802-10-012-10-002000](#) [1112640](#) [1112639](#) [891-007-9SS-BST1T](#) [000-34000](#) [0008550134](#) [0009482033](#) [0009507031](#) [57102-F02-18ULF](#) [57102-S06-03LF](#) [57202-S52-04LF](#) [PCN6-15S-2.5E](#) [0039019024](#) [58102-G61-06LF](#) [582553-1](#) [0009485154](#) [0009508121](#) [0022285053](#) [0050291907](#) [018731A](#) [LY20-4P-DT1-P1E-BR](#) [02.125.8002.8](#) [60101931](#) [60598-1 \(Cut Strip\)](#) [M1625-3R/100](#) [61062-3](#) [61082-181009](#) [CSU011177004](#) [636-1427](#) [638009-1](#) [641938-9](#) [641991-4](#) [644168-1](#) [644827-2](#) [647662-1](#) [65039-019ELF](#) [65692-001LF](#) [65781-018](#) [65781-047](#)