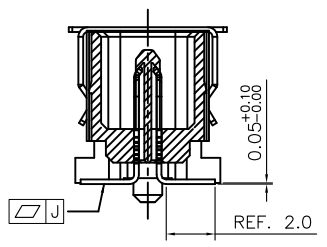
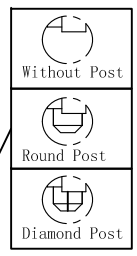
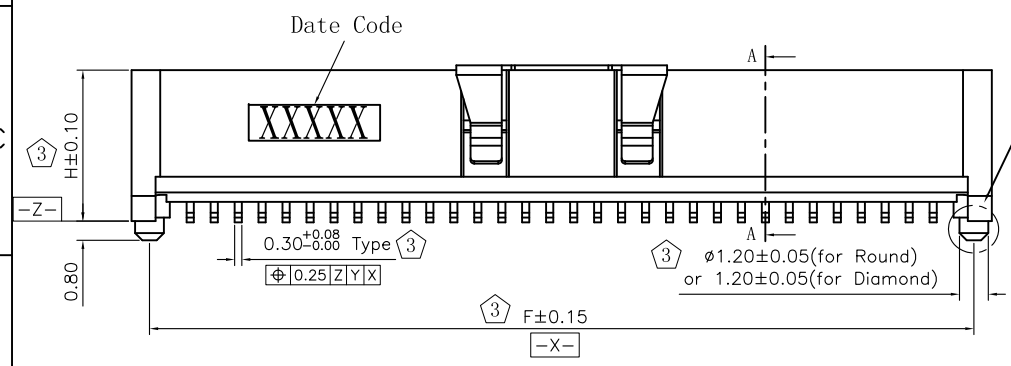
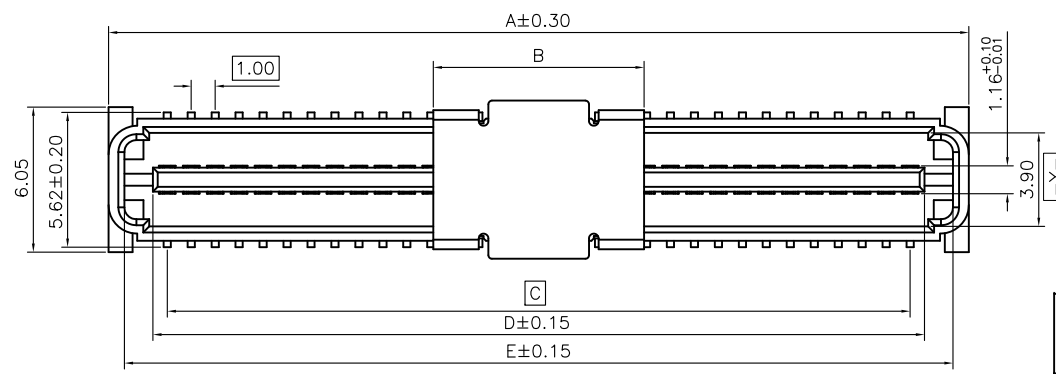


REV.	ECN Number	Description	Drawn
1	CS17060075	RELEASE	XPG_2017.06.17
2	E17060038	CHANGE 84PIN DATE CODE POSITION(PAGE2)	XPG_2017.06.23
3	E18030012	ADD PART NUMBER	XPG_2018.03.16



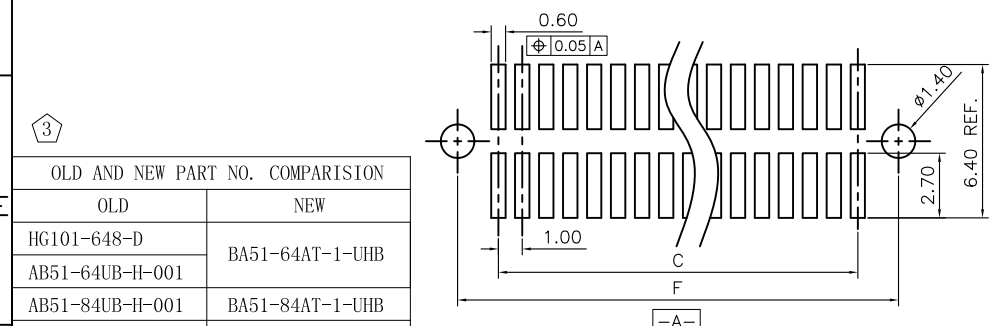
- NOTES: (UNLESS OTHERWISE SPECIFIED)
- DIMENSION SHALL BE INTERPRETED PER ANSI Y14.5M-1994.
 - MATERIAL:
HOUSING MATERIAL: HIGH TEMPERATURE PLASTICS, UL 94V-0.
CONTACT MATERIAL: COPPER ALLOY, T=0.20mm
VACUUM COVER MATERIAL: STAINLESS STEEL, T=0.20mm
 - ELECTRICAL SPECIFICATION:
CONTACT RESISTANCE: 30 m ohms Max Initial.
INSULATION RESISTANCE: 1000M ohms Min.
OPERATION VOLTAGE: 100V AC/DC
CURRENT RATING: 1.0A
DIELECTRIC WITHSTANDING VOLTAGE: 250V AC
 - MECHANICAL SPECIFICATION:
CONTACT RETENTION FORCE: 250g Min.
INSERTION FORCE: 120g Max. PER PIN.
WITHDRAWAL FORCE: 10g Min. PER PIN.
 - OPERATING TEMPERATURE: -55° C To +85° C
 - PRODUCT NUMBER MATRIX:

3 B A 5 1-XX X T-X X -X H X

BTB
Series code
1.00 Pitch
Plug
PIN No.
32:32PIN
40:40PIN
64:64PIN
Height
A: H=8.35mm
B: H=7.35mm
C: H=6.35mm
Soldering Type
T:SMT
0:Without Post
1:Round Post
2:Diamond Post
Housing Color
Null:Nature
B:Black

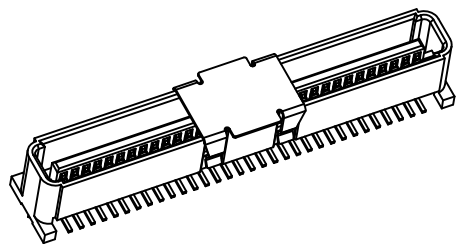
Packing:
B:REEL+MPAD
Q:HOT SEALING
REEL+MPAD
H:Halogen free
Plating

Definition	Code
⊙Matte Tin plated	A
⊙Bright Tin plated	V
⊙Gold plated over all	
Flash B 1u" R 3u" C	
5u" D 10u" E 15u" F	
20u" G 25u" H 30u" J	
⊙Duplex plated	
Flash K 1u" S 3u" L	
5u" M 10u" N 15u" P	
20u" Q 25u" T 30u" U	
⊙All plated is lead free.	



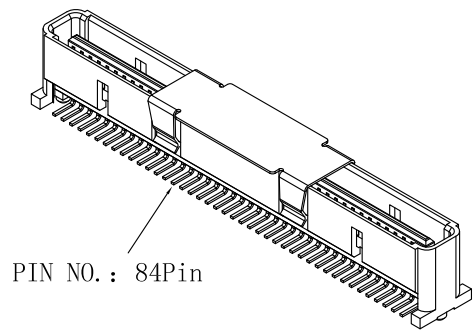
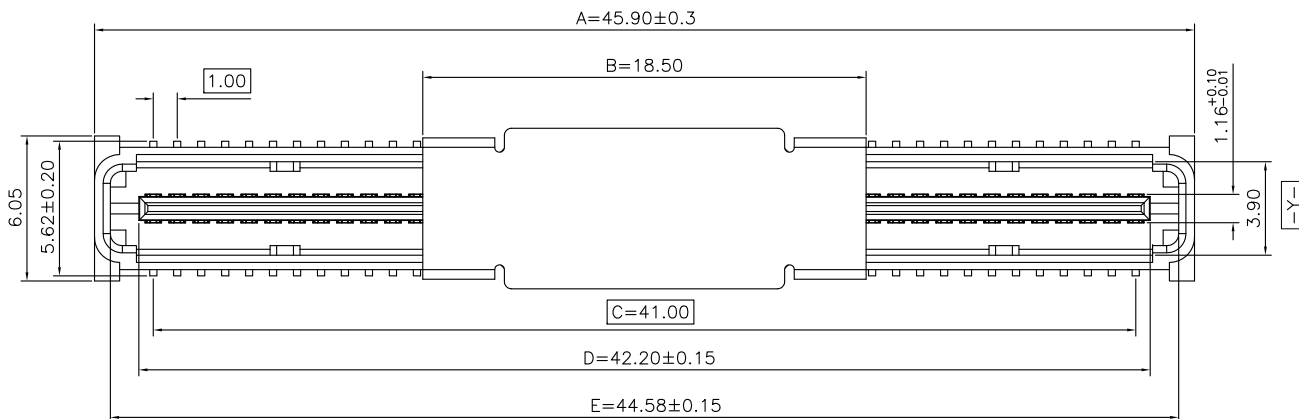
OLD AND NEW PART NO. COMPARISON	
OLD	NEW
HG101-648-D	BA51-64AT-1-UHB
AB51-64UB-H-001	BA51-84AT-1-UHB
AB51-84UB-H-001	BA51-64CT-2B-UHB
HG102-64-8	BA51-64CT-1-UHB
HG102-648-D	BA51-64CT-1-UHB
AB51-64UB-H-003	

RECOMMENDED PCB LAYOUT
TOLERANCE ± 0.05

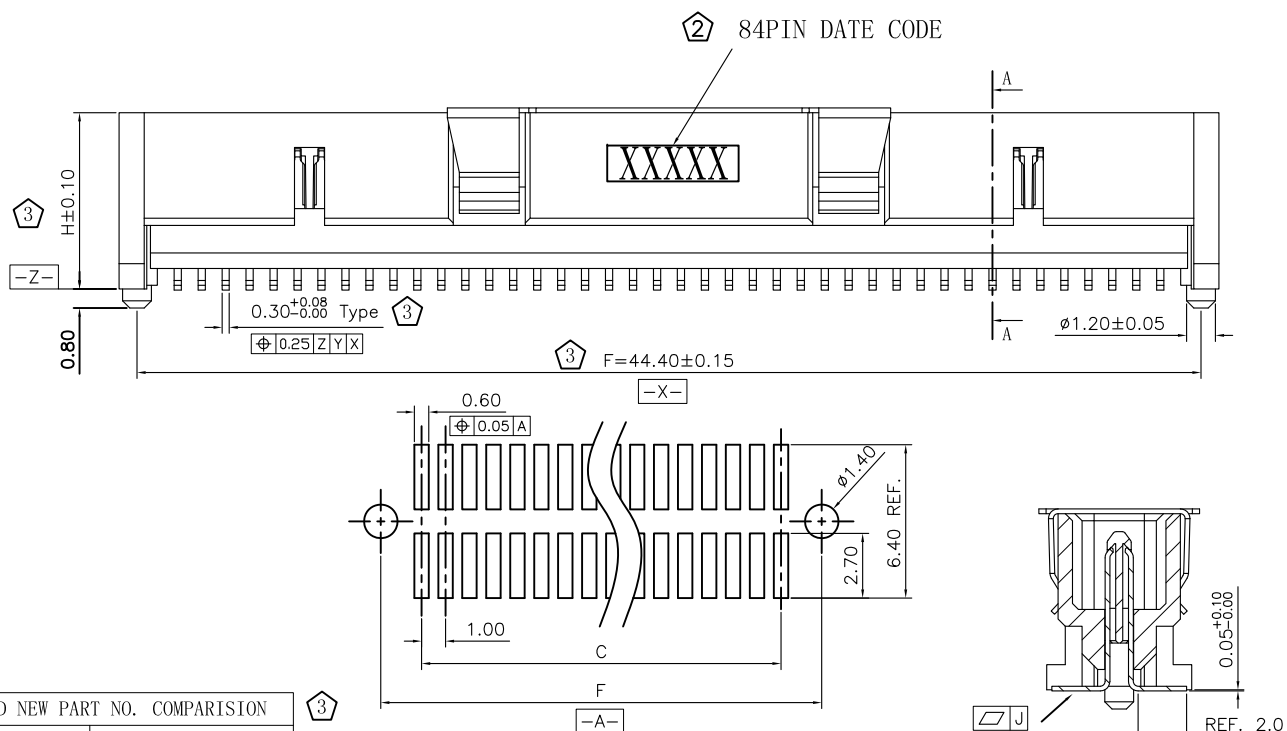


CKT	DIM A	DIM B	DIM C	DIM D	DIM E	DIM F	DIM J
32	19.90	8.80	15.00	16.20	18.58	18.40	
40	23.90	8.80	19.00	20.20	22.58	22.40	0.10
64	35.90	8.80	31.00	32.20	34.58	34.40	

 ShenZhen ShenTai weixiang Electronics Co., Ltd.	TOLERANCE UNLESS OTHERWISE SPECIFIED				SCALE 1:1	ORIGINAL DRAWN: Xu Peiguang	DATE 2018.03.16	DWG. NO. 600-0000-0220	TITLE	REV. 3
	X.X	±0.30	X.°	±3°	UNIT mm	CHECK: Xie Yong	DATE 2018.03.16	PARTS NO. (INTENDED USE) BA51-XXXT-XX-XHX	BA51 CUSTOMER DRAWING	SHEET 1/2
	X.XX	±0.20	X.X°	±2°	SIZE A4	APPROVE: Ady zhou	DATE 2018.03.16			
	X.XXX		X.XX°	±1°						



PIN NO.: 84Pin



NOTES: (UNLESS OTHERWISE SPECIFIED)
7. PRODUCT NUMBER MATRIX:

③ B A 5 1-XX X T-X X -X H X

BTB Series code
1.00 Pitch
Plug
PIN No. 84:84PIN
Height
A: H=8.35mm
B: H=7.35mm
C: H=6.35mm
Soldering Type
T:SMT
0:Without Post
1:Round Post
Housing Color
Null:Nature
B:Black

Packing:
B:REEL+MPAD
Q:HOT SEALING REEL+MPAD
H:Halogen free
Plating

Definition	Code
⊙ Matte Tin plated	A
⊙ Bright Tin plated	V
⊙ Gold plated over all	
flash B 1u" R 3u" C	
5u" D 10u" E 15u" F	
20u" G 25u" H 30u" J	
⊙ Duplex plated	
flash K 1u" S 3u" L	
5u" M 10u" N 15u" P	
20u" Q 25u" T 30u" U	
⊙ All plated is lead free.	

OLD AND NEW PART NO. COMPARISON	
OLD	NEW
AB51-84UB-H-001	BA51-84AT-1-UHB
N/A	BA51-84BT-1-UHB

RECOMMENDED PCB LAYOUT
TOLERANCE ±0.05

SECTION A-A

CKT	DIM A	DIM B	DIM C	DIM D	DIM E	DIM F	DIM J
84	45.90	18.50	41.00	42.20	44.58	44.40	0.12



TOLERANCE UNLESS OTHERWISE SPECIFIED			
X.X	±0.30	X.°	±3°
X.XX	±0.20	X.X°	±2°
X.XXX		X.XX°	±1°

SCALE	1:1
UNIT	mm
SIZE	A4

ORIGINAL DRAWN: Xu Peiguang	DATE 2018.03.16
CHECK: Xie Yong	DATE 2018.03.16
APPROVE: Ady zhou	DATE 2018.03.16

DWG. NO. 600-0000-0220
PARTS NO. (INTENDED USE) BA51-XXXT-XX-XXH

TITLE
BA51 CUSTOMER DRAWING

REV. 3
SHEET 2/2

X-ON Electronics

Largest Supplier of Electrical and Electronic Components

Click to view similar products for [Headers & Wire Housings](#) category:

Click to view products by [STWXE](#) manufacturer:

Other Similar products are found below :

[95000-104TRLF](#) [10135584-644402LF](#) [DF62W-EP2022PCA](#) [95000-106TRLF](#) [DF62W-2022SCA](#) [DF62W-EP2022PC](#) [2203348](#) [DF62W-2022SC](#) [1084018](#) [1029039](#) [1084017](#) [802-10-012-10-002000](#) [1112640](#) [1112639](#) [891-007-9SS-BST1T](#) [000-34000](#) [0008550134](#) [0009482033](#) [0009507031](#) [57102-F02-18ULF](#) [57102-S06-03LF](#) [57202-S52-04LF](#) [PCN6-15S-2.5E](#) [0039019024](#) [58102-G61-06LF](#) [582553-1](#) [0009485154](#) [0009508121](#) [0022285053](#) [0050291907](#) [018731A](#) [LY20-4P-DT1-P1E-BR](#) [02.125.8002.8](#) [60101931](#) [60598-1 \(Cut Strip\)](#) [M1625-3R/100](#) [61062-3](#) [61082-181009](#) [CSU011177004](#) [636-1427](#) [638009-1](#) [641938-9](#) [641991-4](#) [644168-1](#) [644827-2](#) [647662-1](#) [65039-019ELF](#) [65692-001LF](#) [65781-018](#) [65781-047](#)