



Shenzhen Shenliang Weifang Electronics Co., Ltd.

TOLERANCE UNLESS OTHERWISE SPECIFIED

X.X	±0.30	X.°	±3.°
X.XX	±0.20	X.X°	±2.°
X.XXX	±1.°	X.XX°	±1.°

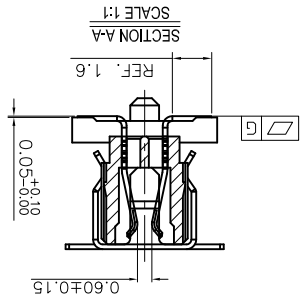
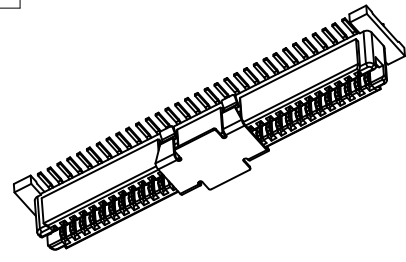
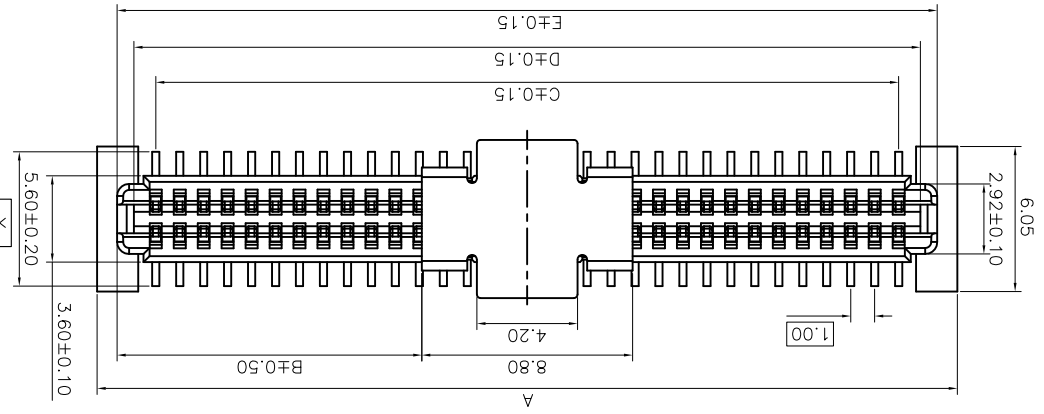
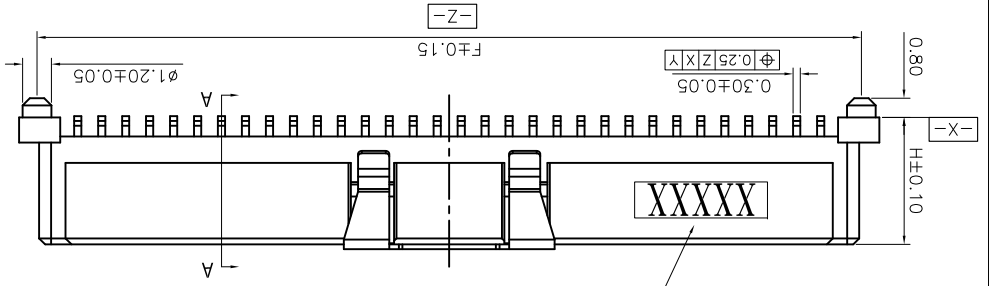
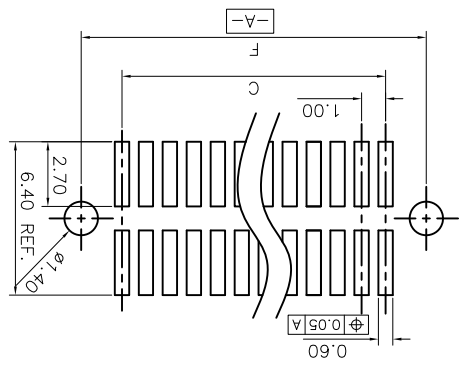
SCALE	1:1
UNIT	mm
SIZE	A4

DATE	2018.03.20	ORIGINAL DRAWN:	Xu Peiguang
DATE	2018.03.20	CHECK:	Xie Yong
DATE	2018.03.20	APPROVE:	Ady Zhou

REV.	2	TITLE	BA52
SHEET	1/1	CUSTOMER DRAWING	BA52-XXXX-XX-XXH
DWG. NO.	600-0000-0339	PARTS NO. (INTENDED USE)	BA52-XXXX-XX-XXH

OLD AND NEW PART NO. COMPARISON	NEW	OLD
RG101-648-D	BA52-64BT-1-UHB	BA52-648-D
AB52-64UB-H-002	BA52-84BT-1-UHB	AB52-84UB-H-002
RG102-648-D	BA52-64AT-1-UHB	AB52-64UB-H-001
RG103-648-S02-D	BA52-64CT-1-UHB	

RECOMMENDED PCB LAYOUT



CT	DIM A	DIM B	DIM C	DIM D	DIM E	DIM F	DIM G
84	45.90	17.71	41.00	42.82	44.22	44.40	0.12
64	35.90	12.71	31.00	32.82	34.22	34.40	0.10
40	23.90	6.71	19.00	20.82	22.22	22.40	
32	19.90	4.71	15.00	16.82	18.22	18.40	

Definition	Code
Matte Tin plated	A
Bright Tin plated	V
Gold plated over all	
Flash B 1u" R 3u" C	
Flash D 10u" E 15u" F	
Flash G 25u" H 30u" J	
Duplex plated	
Flash K 1u" S 3u" L	
Flash M 10u" N 15u" P	
Flash Q 25u" T 30u" U	
All plated its lead free.	

- RTB
- Series code
- 1.00 Pitch
- Receptacle
- Pin No.
- 84:84PIN
- 64:64PIN
- 40:40PIN
- 32:32PIN
- Height
- A: H=10.30mm
- B: H=7.30mm
- C: H=5.30mm
- Soldering Type
- T: SMT
- 0: Without Post
- 1: With Post
- Housing Color
- Nut: Nature
- B: Black

- NOTES: (UNLESS OTHERWISE SPECIFIED)
- DIMENSION SHALL BE INTERPRETED PER ANSI Y14.5M-1994.
 - MATERIAL: HIGH TEMPERATURE PLASTICS, UL 94V-0. HOUSING COVER MATERIAL: STAINLESS STEEL, T=0.20mm. CONTACT MATERIAL: COPPER ALLOY, T=0.20mm. VACUUM COVER MATERIAL: STAINLESS STEEL, T=0.20mm.
 - ELECTRICAL SPECIFICATION: CONTACT RESISTANCE: 30 m ohms MAX. INITIAL. INSULATION RESISTANCE: 1000M ohms MIN. OPERATION VOLTAGE: 100V AC/DC. CURRENT RATING: 1.0A. DIELECTRIC WITHSTANDING VOLTAGE: 250V AC. MECHANICAL SPECIFICATION: INSERTION FORCE: 120gf MAX. PER PIN. WITHDRAWAL FORCE: 10gf MIN. PER PIN. OPERATING TEMPERATURE: -55°C TO +85°C. PRODUCT NUMBER MATRIX:

REV.	ECN Number	Description
1	CS17110042	RELEASE
	EI8030017	ADD PART NUMBER
		XPG_2018.03.20
		XPG_2017.11.17
		Drawn

X-ON Electronics

Largest Supplier of Electrical and Electronic Components

Click to view similar products for [Board to Board & Mezzanine Connectors](#) category:

Click to view products by [STWXE](#) manufacturer:

Other Similar products are found below :

[10135583-642402LF](#) [89885-310LF](#) [589158040000018](#) [6-1393048-0](#) [68683-613](#) [MDF7-12DP-2.54DSA](#) [MDF7-18P-2.54DSA\(01\)](#) [MDF7-20DP-2.54DSA](#) [MDF7-26D-2.54DSA\(55\)](#) [MDF7-3P-2.54DSA\(01\)](#) [MDF7B-20P-2.54DSA\(01\)](#) [MDF7B-3P-2.54DSA\(55\)](#) [MDF7C-11P-2.54DSA\(55\)](#) [MDF7C-18P-2.54DSA\(55\)](#) [MDF7C-5P-2.54DSA\(01\)](#) [MDF7P-5P-2.54DSA\(55\)](#) [75234-0516](#) [FCN-230C068-11](#) [FCN-268F012-G/BD](#) [FCN-268F036-G/BD](#) [FCN-268M012-G/0D](#) [FCN-268M024-G/1D](#) [FCN-360C008-C](#) [FCN-360C040-C](#) [FCN-723J004/1](#) [MIS-048-01-F-D-DP-K](#) [832-10-034-10-001000](#) [93696-325LF](#) [11828-1FA](#) [AXK630345P](#) [18097-0013](#) [ICA-328STT](#) [2007042-2](#) [304400-2](#) [FCN-214Q030-G/0](#) [FCN-215Q040-G/0](#) [FCN-230C068-ESA](#) [FCN-234P048-G/0](#) [FCN-235D050-G/C](#) [FCN-360A3](#) [FCN-360C040-B](#) [210-93-314-41-105000](#) [2-22603-0](#) [379-064-521-202](#) [MDF7-12P-2.54DSA\(01\)](#) [MDF7-16P-2.54DS\(56\)](#) [MDF7-40DP-2.54DSA\(55\)](#) [MDF7-8P-2.54DSA\(55\)](#) [MDF7B-16P-2.54DSA\(55\)](#) [AXG720047](#)