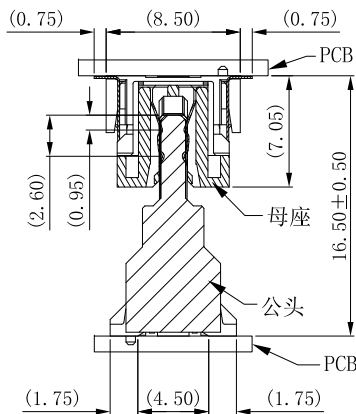
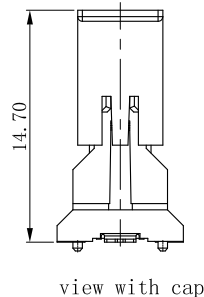
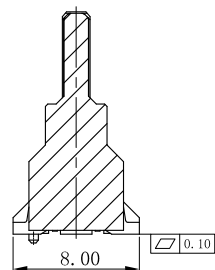
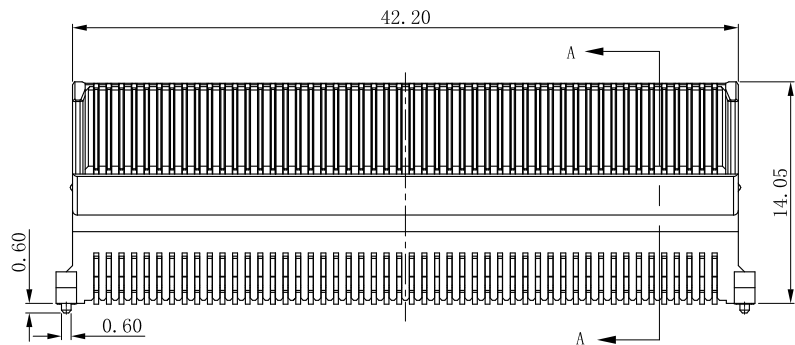
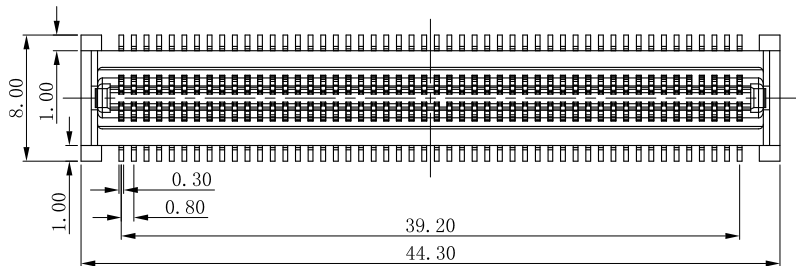
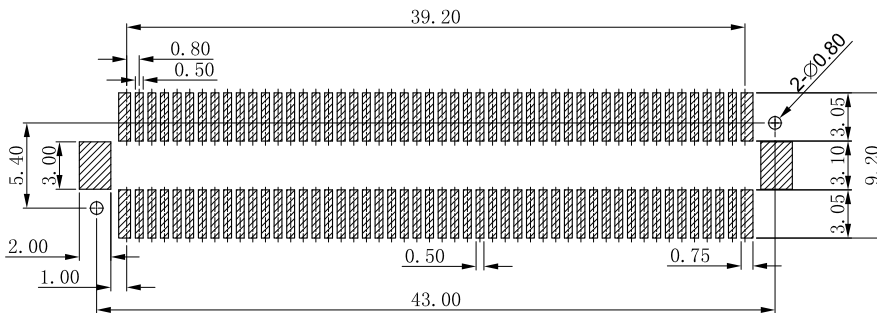


100PIN: BB41-A0XT-1B-XHR



(公母合高)

X方向浮动量: ±0.5
Y方向浮动量: ±0.5
Z方向浮动量: ±0.5



RECOMMENDED PCB LAYOUT
TOLERANCE: ±0.05mm

REV.	ECN Number	Description	Drawn
1	CS18030010	First issue	LGJ_2018.03.05
2	E20010008	Add new specifications	Smark
3	E20100006	图面整合(每个料号单独列出)	FQH_2020.10.12

NOTES:

- HOUSING MATERIAL:HIGH TEMPERATURE PLASTICS
BLACK, UL94V-0.
- CONTACT MATERIAL:COPPER ALLOY.
- RATING VOLTAGE: 50V AC/DC
- CONTACT RESISTANCE: 80 m ohms MAX, INITIAL.
- DIELECTRIC WITHSTANDING VOLTAGE: 500V AC rms./MINUTE.
- INSULATION RESISTANCE: 100 M ohms MIN.
- CURRENT RATING: 0.5 AMPERE.
- DURABILITY: 30 CYCLES MIN.
- INSERTION FORCE: 150g MAX. PER CONTACT.
- WITHDRAW FORCE: 8.5g MIN. PER CONTACT.
- OPERATING TEMPERATURE RANGE: -40° C~+105° C
- STORAGE TEMPERATURE RANGE: -40° C~+105° C
- ALL HARMFUL SUNSTANCES SHOULD BE COMPLIANT WITH THE ROHS2.0 REQUIREMENTS.
- PRODUCT NUMBER MATRIX:

Pitch:0.80mm BB41-XXXT-1B-XHR
Male
PIN NO.
Height flow code:
SMT TYPE

packaging: REEL+PAD
Halogen-free high temperature material
Electroplating code

Duplex plated					
flash	K	1u"	S	3u"	L
5u"	M	10u"	N	15u"	P
20u"	Q	25u"	T	30u"	U

Colour : black
Extended code



ShenZhen ShenTai weixiang Electronics Co., Ltd.

TOLERANCE UNLESS OTHERWISE SPECIFIED

X.X	±0.30	X.°	±3°
X.XX	±0.20	X.X°	±2°
X.XXX		X.XX°	±1°

SCALE 1:1

UNIT mm

SIZE A4



ORIGINAL DRAWN:

Qinghua Fu

CHECK:

Guangyu Guo

APPROVE:

Ady Zhou

DATE

2020.10.12

DATE

2020.10.12

DATE

2020.10.12

DWG. NO.

600-0000-0227

PARTS NO. (INTENDED USE)

BB41-XXXT-1B-XHR

TITLE

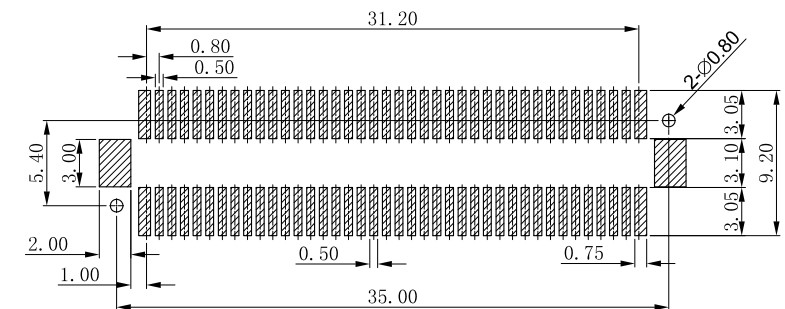
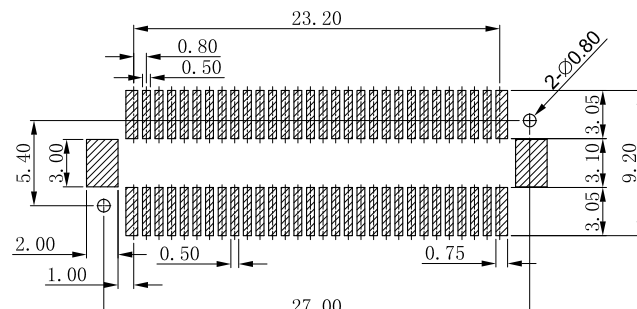
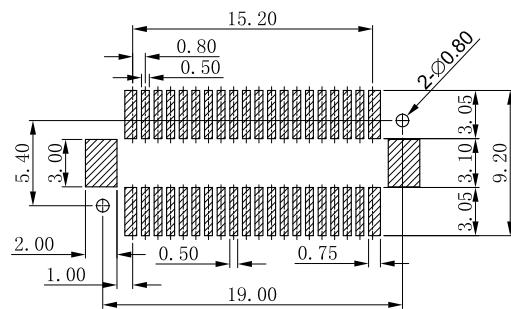
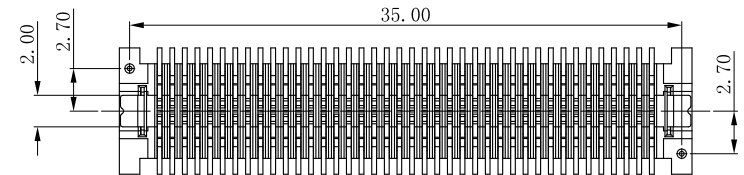
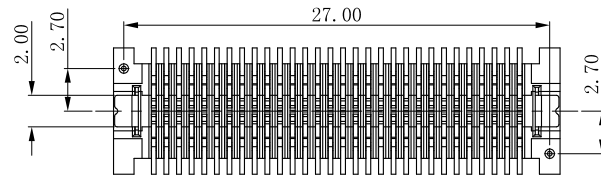
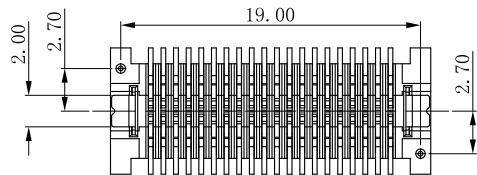
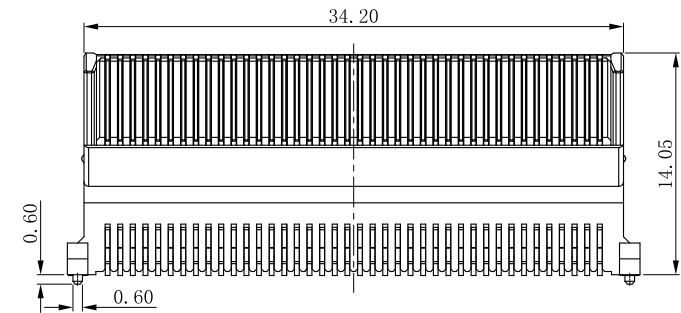
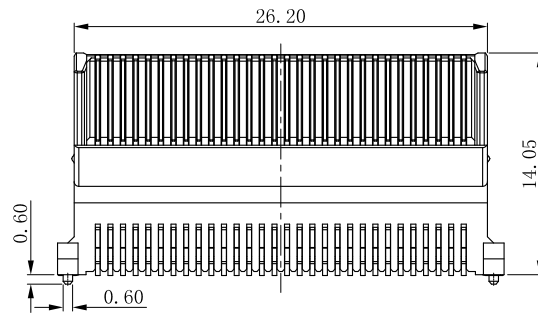
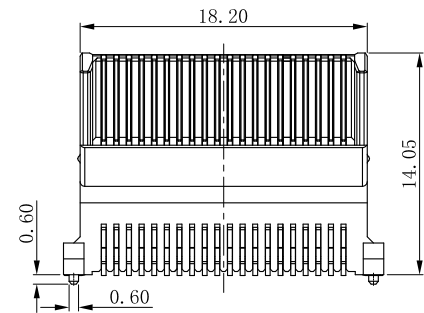
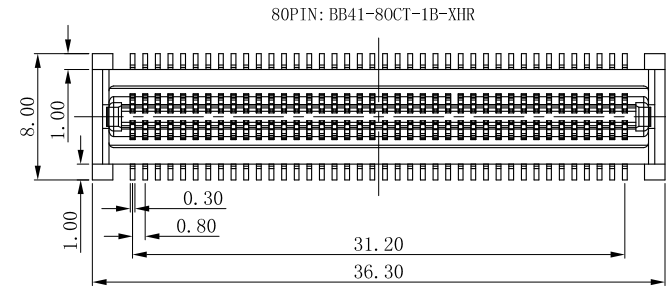
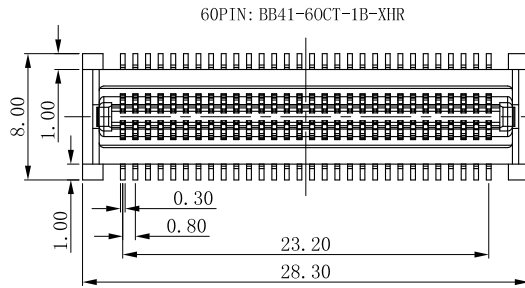
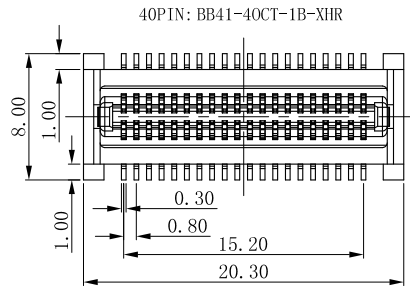
CUSTOMER DRAWING

REV.

3

SHEET

1/6



RECOMMENDED PCB LAYOUT
TOLERANCE: $\pm 0.05\text{mm}$

RECOMMENDED PCB LAYOUT
TOLERANCE: $\pm 0.05\text{mm}$

RECOMMENDED PCB LAYOUT
TOLERANCE: $\pm 0.05\text{mm}$



ShenZhen ShenTai weixiang Electronics Co., Ltd.

TOLERANCE UNLESS OTHERWISE SPECIFIED

X.X	± 0.30	X.°	$\pm 3^\circ$
X.XX	± 0.20	X.X°	$\pm 2^\circ$
X.XXX		X.XX°	$\pm 1^\circ$

SCALE	1:1
UNIT	mm
SIZE	A4



ORIGINAL DRAWN:	Qinghua Fu
CHECK:	Guangyu Guo
APPROVE:	Ady Zhou

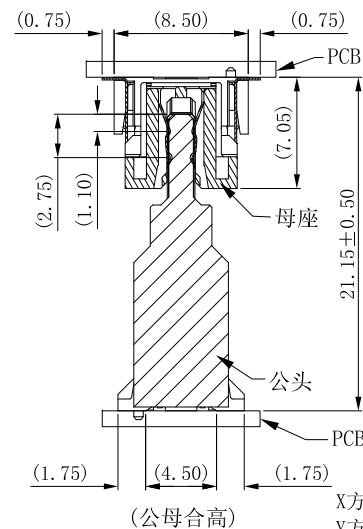
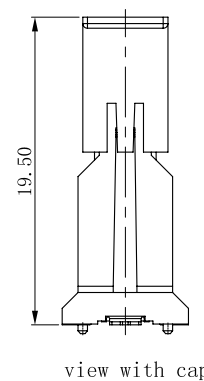
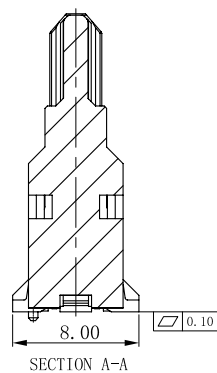
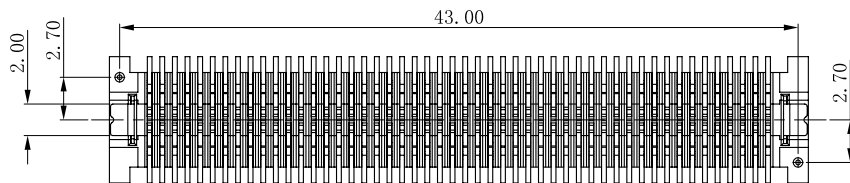
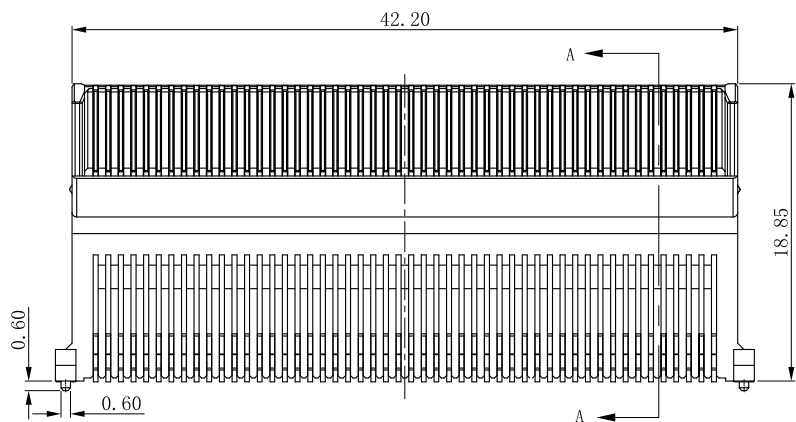
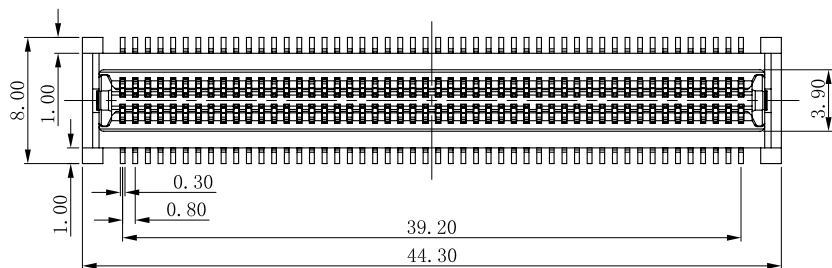
DATE	2020.10.12
DATE	2020.10.12
DATE	2020.10.12

DWG. NO.	600-0000-0227
PARTS NO. (INTENDED USE)	BB41-XXXT-1B-XHR

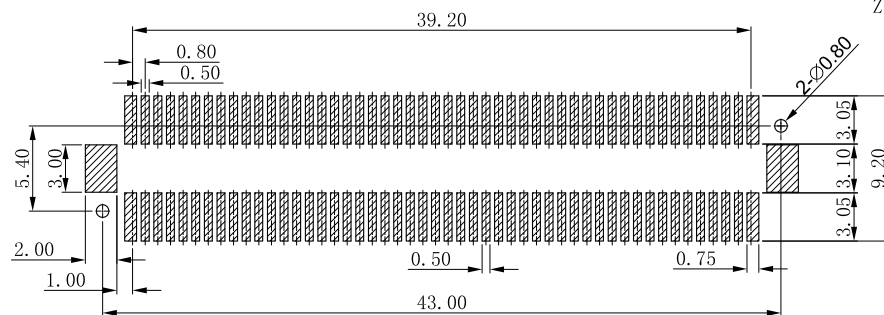
TITLE	CUSTOMER DRAWING
-------	------------------

REV.	3
SHEET	2/6

100PIN: BB41-A0BT-1B-XHR



X方向浮动量: ±0.5
Y方向浮动量: ±0.5
Z方向浮动量: ±0.5



RECOMMENDED PCB LAYOUT
TOLERANCE: ±0.05mm



ShenZhen ShenTai weixiang Electronics Co., Ltd.

TOLERANCE UNLESS OTHERWISE SPECIFIED

X.X	±0.30	X.°	±3°
X.XX	±0.20	X.X°	±2°
X.XXX		X.XX°	±1°

SCALE	1:1
UNIT	mm
SIZE	A4

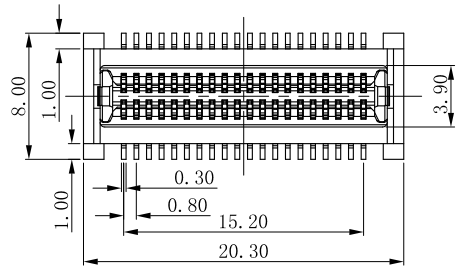
ORIGINAL DRAWN:	Qinghua Fu	DATE	2020.10.12
CHECK:	Guangyu Guo	DATE	2020.10.12
APPROVE:	Ady Zhou	DATE	2020.10.12

DWG. NO.	600-0000-0227
PARTS NO. (INTENDED USE)	BB41-XXXT-1B-XHR

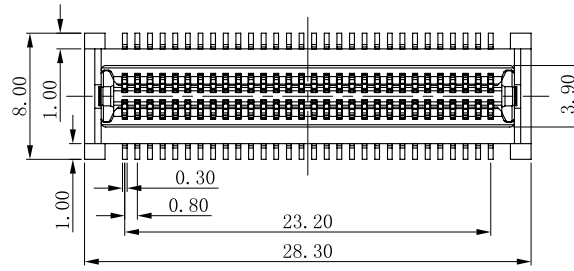
TITLE	CUSTOMER DRAWING
-------	------------------

REV.	3
SHEET	3/6

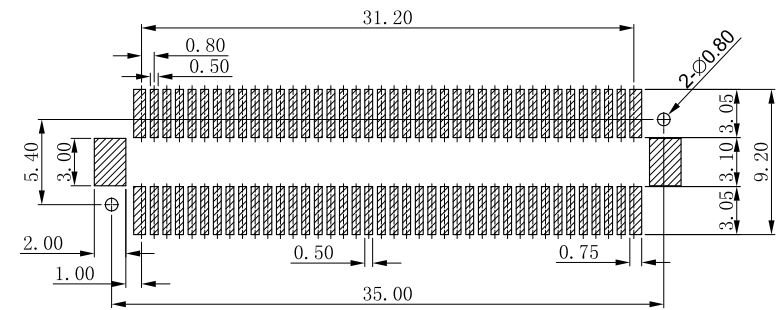
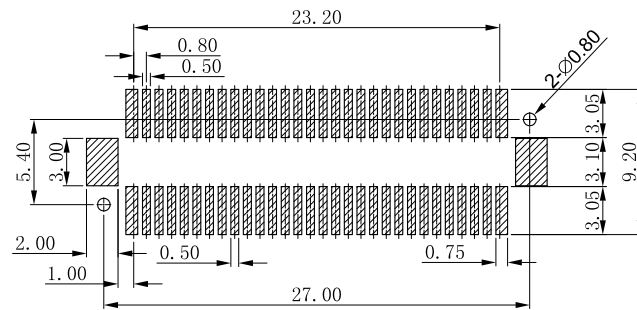
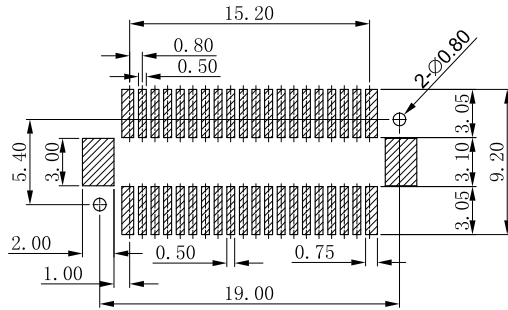
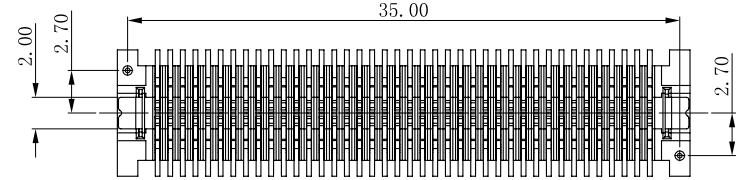
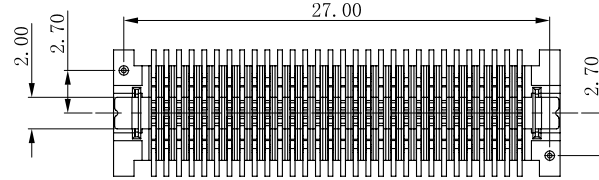
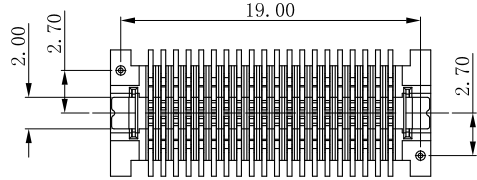
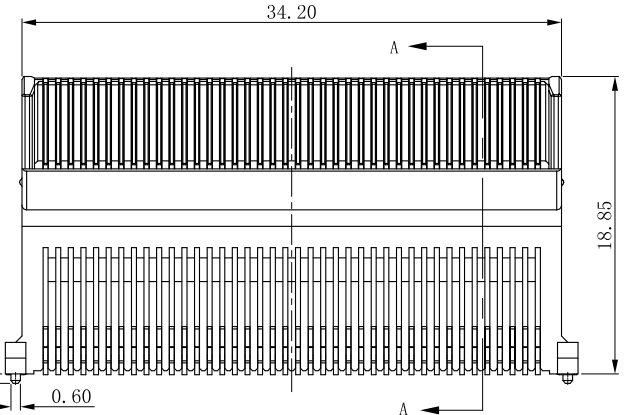
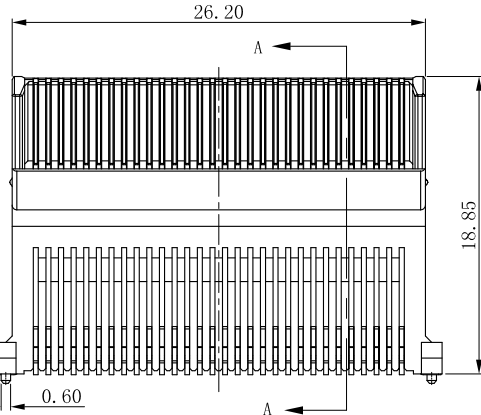
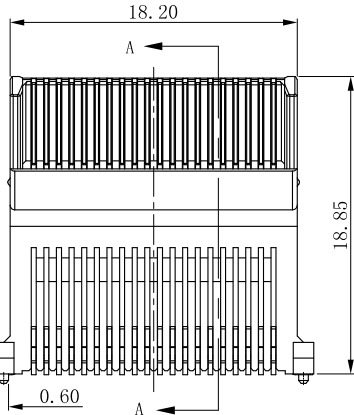
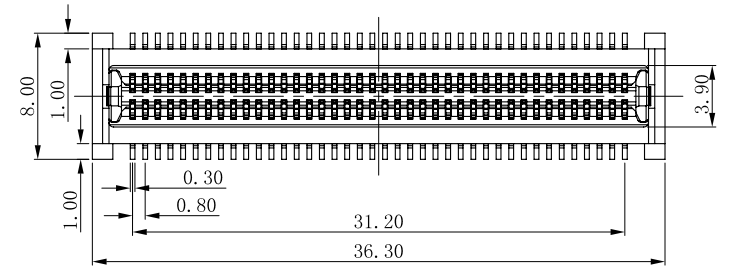
40PIN: BB41-40BT-1B-XHR



60PIN: BB41-60BT-1B-XHR



80PIN: BB41-80BT-1B-XHR



RECOMMENDED PCB LAYOUT

TOLERANCE: ±0.05mm

RECOMMENDED PCB LAYOUT

TOLERANCE: ±0.05mm

RECOMMENDED PCB LAYOUT

TOLERANCE: ±0.05mm



ShenZhen ShenTai weixiang Electronics Co., Ltd.

TOLERANCE UNLESS OTHERWISE SPECIFIED

X.X	±0.30	X.°	±3°
X.XX	±0.20	X.X°	±2°
X.XXX		X.XX°	±1°

SCALE	1:1
UNIT	mm
SIZE	A4



ORIGINAL DRAWN:
Qinghua Fu
CHECK:
Guangyu Guo
APPROVE:
Ady Zhou

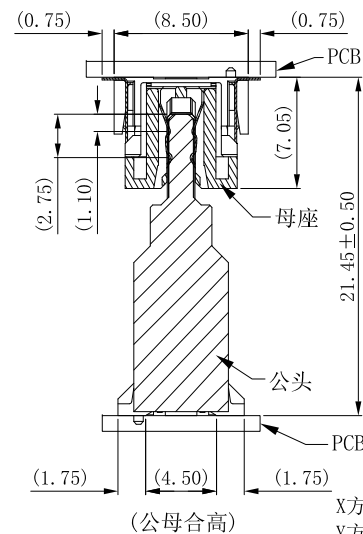
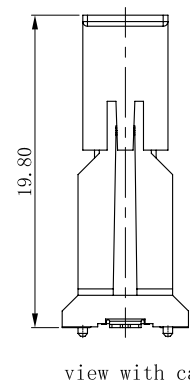
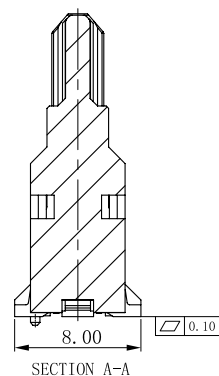
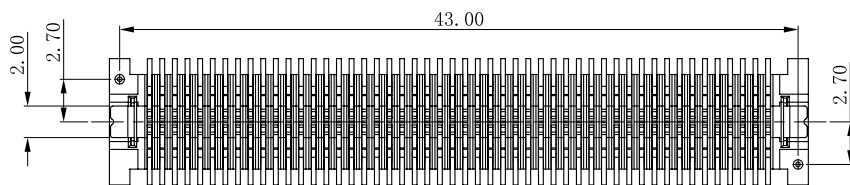
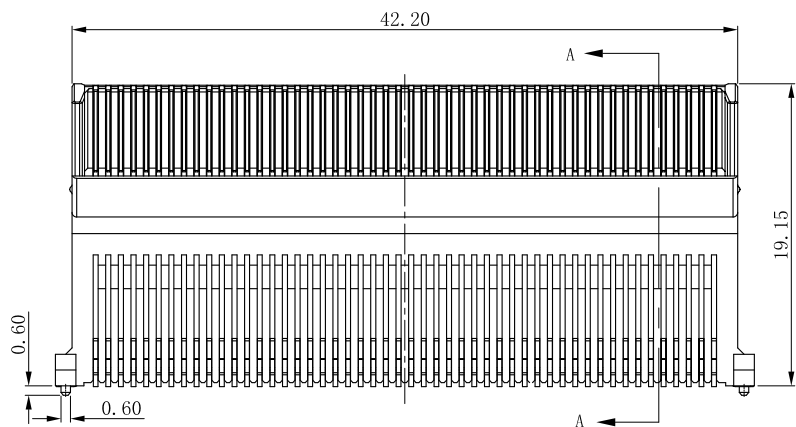
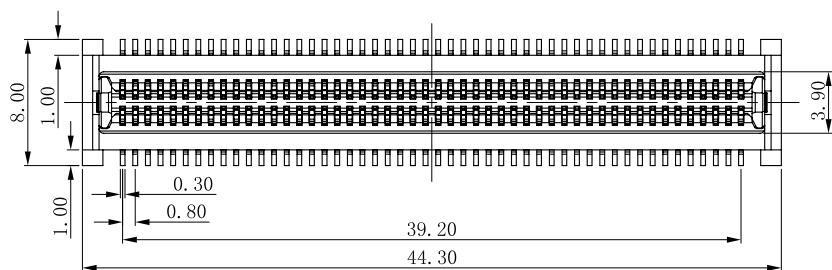
DATE
2020.10.12
DATE
2020.10.12
DATE
2020.10.12

DWG. NO.
600-0000-0227
PARTS NO. (INTENDED USE)
BB41-XXXT-1B-XHR

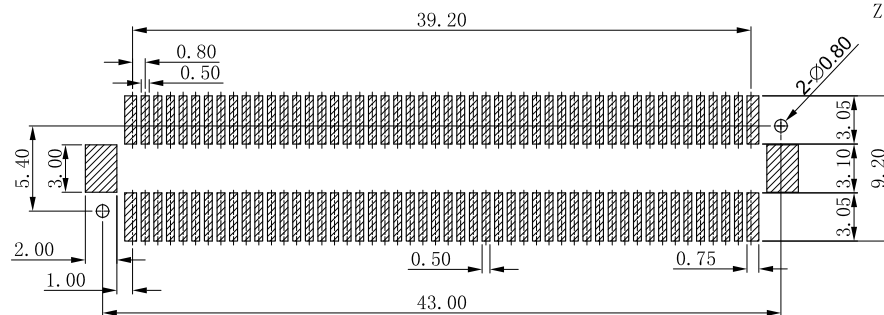
TITLE
CUSTOMER DRAWING

REV.
3
SHEET
4/6

100PIN: BB41-A0ET-1B-XHR



X方向浮动量: ±0.5
Y方向浮动量: ±0.5
Z方向浮动量: ±0.5



RECOMMENDED PCB LAYOUT
TOLERANCE: ±0.05mm



ShenZhen ShenTai weixiang Electronics Co., Ltd.

TOLERANCE UNLESS OTHERWISE SPECIFIED

X.X	±0.30	X.°	±3°
X.XX	±0.20	X.X°	±2°
X.XXX		X.XX°	±1°

SCALE	1:1
UNIT	mm
SIZE	A4



ORIGINAL DRAWN:
Qinghua Fu
CHECK:
Guangyu Guo
APPROVE:
Ady Zhou

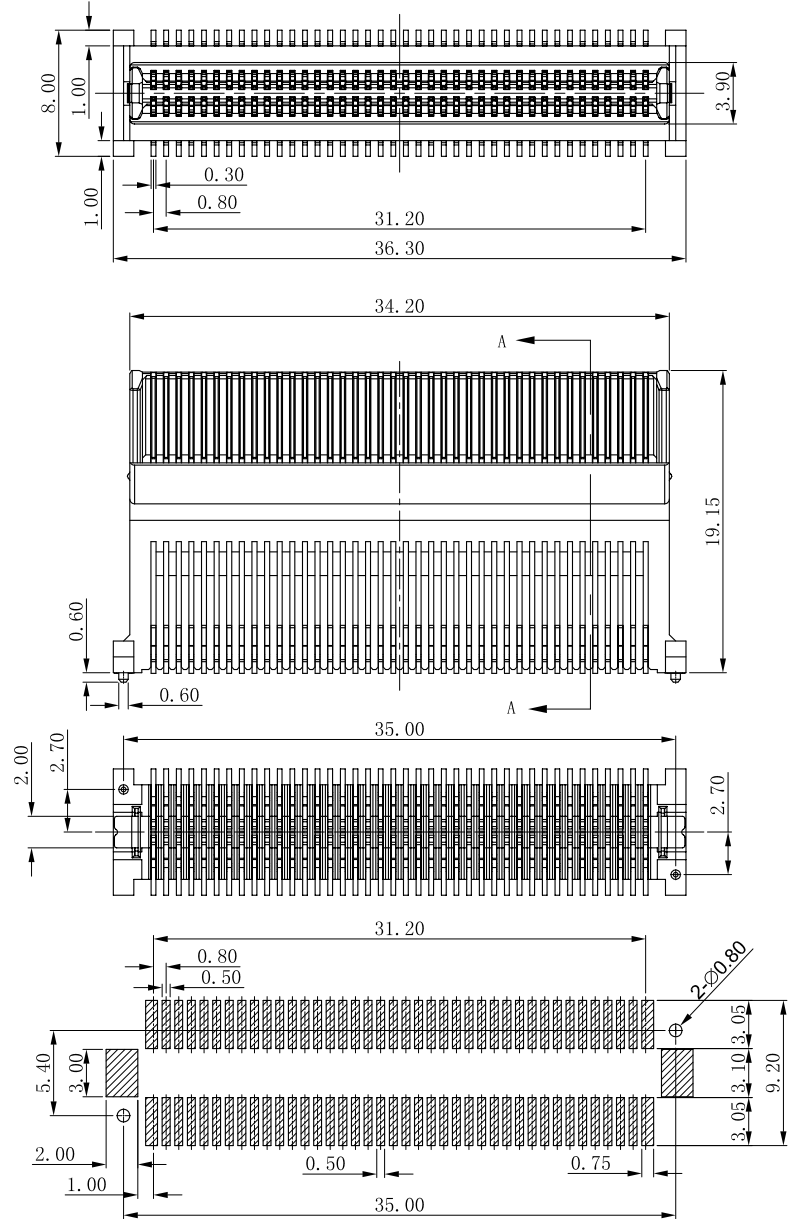
DATE
2020.10.12
DATE
2020.10.12
DATE
2020.10.12

DWG. NO.
600-0000-0227
PARTS NO. (INTENDED USE)
BB41-XXXT-1B-XHR

TITLE
CUSTOMER DRAWING

REV.
3
SHEET
5/6

80PIN: BB41-80DT-1B-XHR



RECOMMENDED PCB LAYOUT

TOLERANCE: $\pm 0.05\text{mm}$



ShenZhen ShenTai weixiang Electronics Co., Ltd.

TOLERANCE UNLESS OTHERWISE SPECIFIED

X. X	± 0.30	X. °	$\pm 3^\circ$
X. XX	± 0.20	X. X°	$\pm 2^\circ$
X. XXX		X. XX°	$\pm 1^\circ$

SCALE 1:1

UNIT mm

SIZE A4



ORIGINAL DRAWN:

Qinghua Fu

CHECK:

Guangyu Guo

APPROVE:

Ady Zhou

DATE 2020.10.12

DATE 2020.10.12

DATE 2020.10.12

DWG. NO.

600-0000-0227

PARTS NO. (INTENDED USE)

BB41-XXXT-1B-XHR

TITLE

CUSTOMER DRAWING

REV.

3

SHEET

6/6

X-ON Electronics

Largest Supplier of Electrical and Electronic Components

Click to view similar products for [Board to Board & Mezzanine Connectors](#) category:

Click to view products by [STWXE](#) manufacturer:

Other Similar products are found below :

[589158040000018](#) [MDF7C-18P-2.54DSA\(55\)](#) [FCN-268F036-G/BD](#) [FCN-268M012-G/0D](#) [FCN-268M024-G/1D](#) [FCN-723J004/1](#) [MIS-048-01-F-D-DP-K](#) [832-10-034-10-001000](#) [FX4C-80S-1.27DSA](#) [93696-330](#) [224393](#) [FCN-235D050-G/C](#) [210-93-314-41-105000](#) [2-22603-0](#) [MDF7-40DP-2.54DSA\(55\)](#) [5031084030](#) [MIT-114-03-F-D-K](#) [55323-1519](#) [45970-4130](#) [YFT-20-05-H-03-SB-K](#) [503308-3040](#) [026-6203-PDB](#) [027-6203-PDB](#) [069159702701000](#) [101A10019X](#) [105061100000861+](#) [55650-0588-C](#) [75140-7012](#) [87471-650](#) [YTW-30-07-H-Q-410-140](#) [YTT-112-01-H-Q](#) [063209](#) [0717420006](#) [FCN-268F024-G0D](#) [10124054-515LF](#) [68685-603](#) [8-1616154-3](#) [MIS-019-01-F-D](#) [IL-WX-10PB-HF-B-E1000E](#) [YFT-50-05-H-10-SB-K](#) [FCN-268M024-G/3D](#) [MDF7-16DP-2.54DSA\(55\)](#) [AXE810124](#) [FCN-214J100-G/0](#) [FCN-230C068-E/S](#) [AXE812124](#) [74220-001](#) [354184](#) [P50-028-DDS-TG](#) [53309-2471](#)