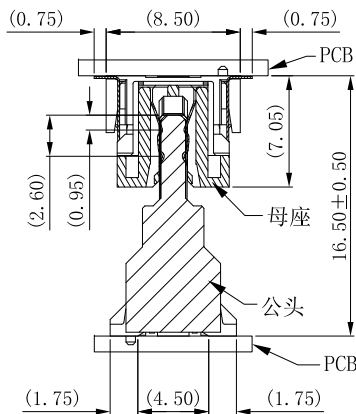
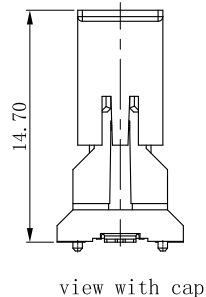
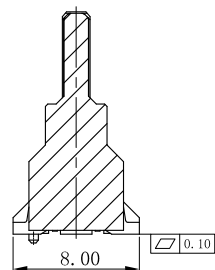
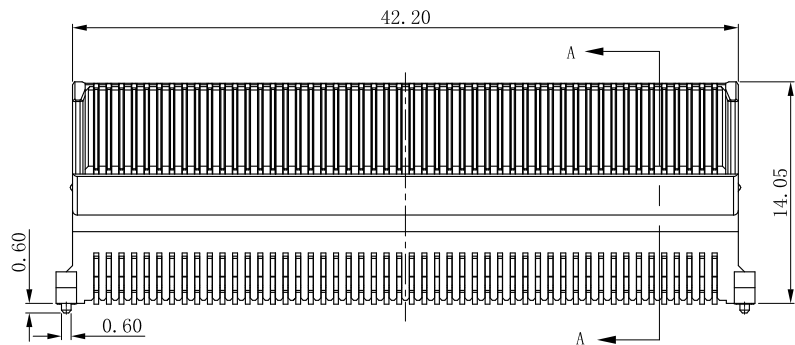
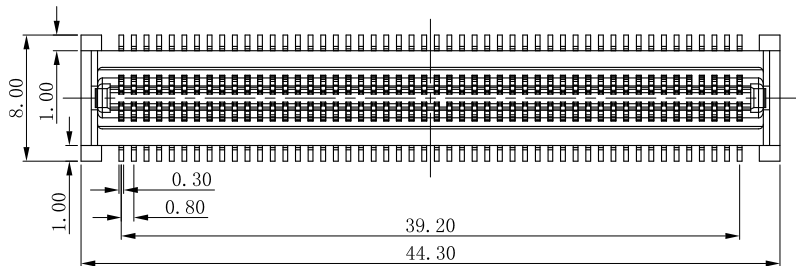


100PIN: BB41-A0XT-1B-XHR



(公母合高)

X方向浮动量: ±0.5  
Y方向浮动量: ±0.5  
Z方向浮动量: ±0.5

- NOTES:
- HOUSING MATERIAL: HIGH TEMPERATURE PLASTICS BLACK, UL94V-0.
  - CONTACT MATERIAL: COPPER ALLOY.
  - RATING VOLTAGE: 50V AC/DC
  - CONTACT RESISTANCE: 80 m ohms MAX, INITIAL.
  - DIELECTRIC WITHSTANDING VOLTAGE: 500V AC rms./MINUTE.
  - INSULATION RESISTANCE: 100 M ohms MIN.
  - CURRENT RATING: 0.5 AMPERE.
  - DURABILITY: 30 CYCLES MIN.
  - INSERTION FORCE: 150g MAX. PER CONTACT.
  - WITHDRAW FORCE: 8.5g MIN. PER CONTACT.
  - OPERATING TEMPERATURE RANGE: -40° C~+105° C
  - STORAGE TEMPERATURE RANGE: -40° C~+105° C
  - ALL HARMFUL SUBSTANCES SHOULD BE COMPLIANT WITH THE ROHS2.0 REQUIREMENTS.
  - PRODUCT NUMBER MATRIX:

Pitch: 0.80mm BB41-XXXT-1B-XHR

Male

PIN NO.

Height flow code:

SMT TYPE

packaging: REEL+PAD

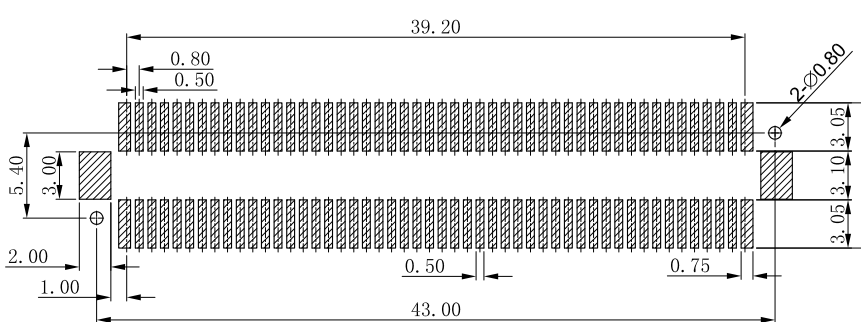
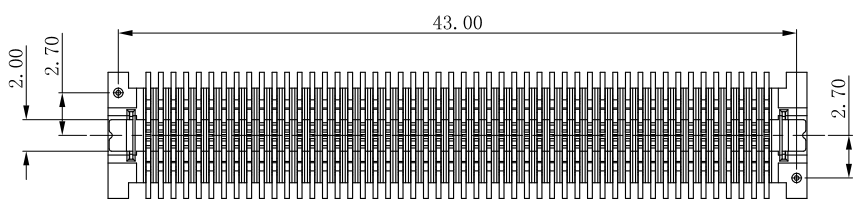
Halogen-free high temperature material

Electroplating code

◎ Duplex plated					
flash	K	1u"	S	3u"	L
5u"	M	10u"	N	15u"	P
20u"	Q	25u"	T	30u"	U

Colour : black

Extended code



RECOMMENDED PCB LAYOUT  
TOLERANCE: ±0.05mm



ShenZhen ShenTai weixiang Electronics Co., Ltd.

TOLERANCE UNLESS OTHERWISE SPECIFIED

X.X	±0.30	X.°	±3°
X.XX	±0.20	X.X°	±2°
X.XXX		X.XX°	±1°

SCALE	1:1
UNIT	mm
SIZE	A4



ORIGINAL DRAWN:  
Qinghua Fu

CHECK:  
Guangyu Guo

APPROVE:  
Ady Zhou

DATE  
2020.10.12

DATE  
2020.10.12

DATE  
2020.10.12

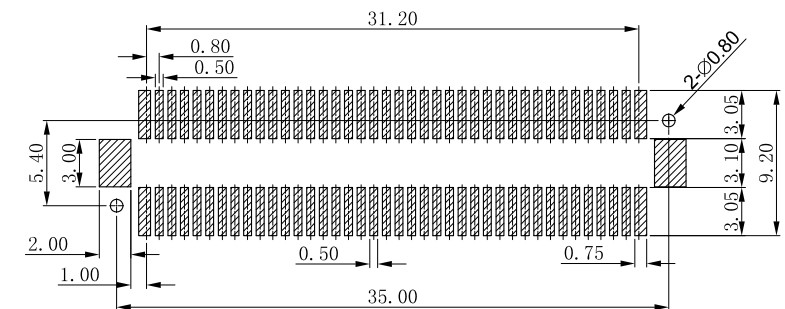
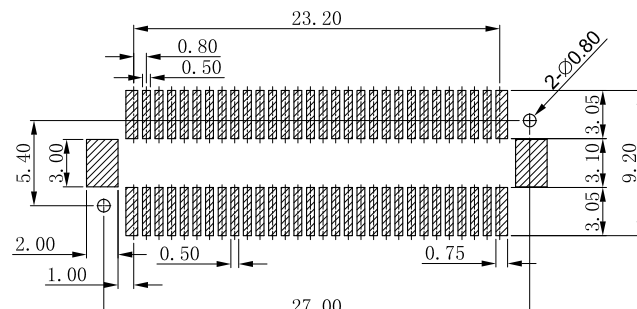
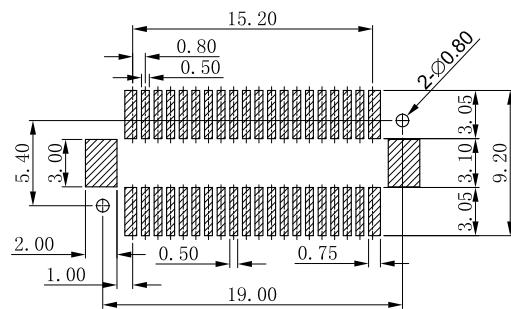
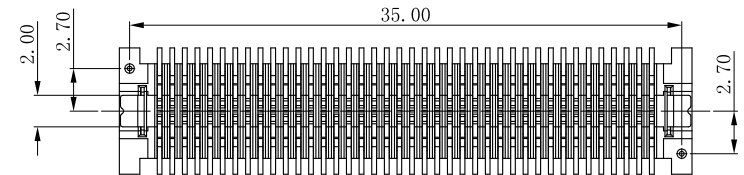
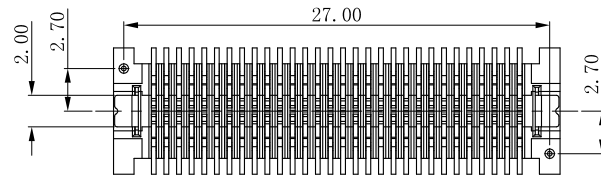
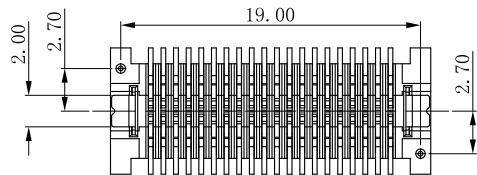
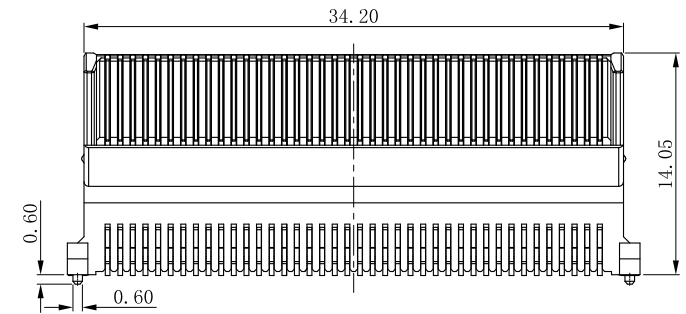
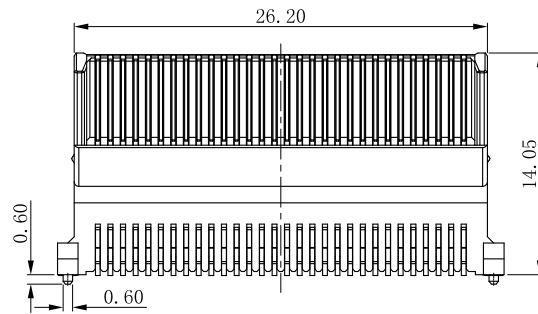
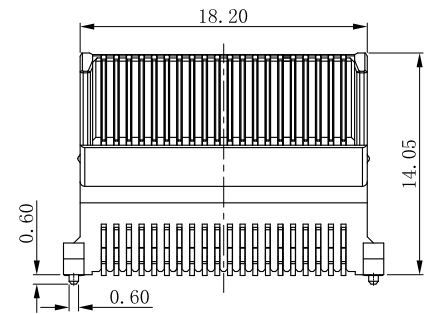
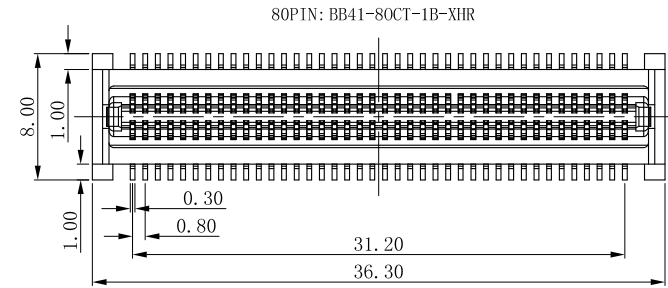
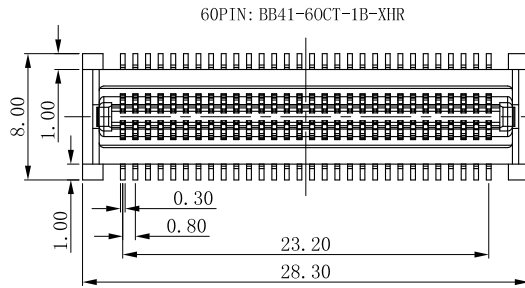
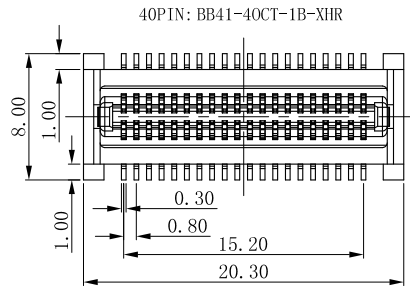
DWG. NO.  
600-0000-0227

PARTS NO. (INTENDED USE)  
BB41-XXXT-1B-XHR

TITLE  
CUSTOMER DRAWING

REV.  
3

SHEET  
1/6



RECOMMENDED PCB LAYOUT  
TOLERANCE:  $\pm 0.05\text{mm}$

RECOMMENDED PCB LAYOUT  
TOLERANCE:  $\pm 0.05\text{mm}$

RECOMMENDED PCB LAYOUT  
TOLERANCE:  $\pm 0.05\text{mm}$



ShenZhen ShenTai weixiang Electronics Co., Ltd.

TOLERANCE UNLESS OTHERWISE SPECIFIED

X.X	$\pm 0.30$	X.°	$\pm 3^\circ$
X.XX	$\pm 0.20$	X.X°	$\pm 2^\circ$
X.XXX		X.XX°	$\pm 1^\circ$

SCALE	1:1
UNIT	mm
SIZE	A4



ORIGINAL DRAWN:	Qinghua Fu
CHECK:	Guangyu Guo
APPROVE:	Ady Zhou

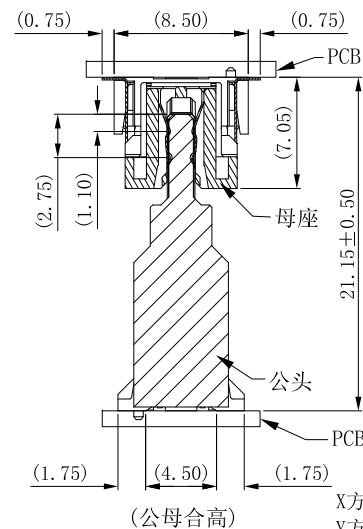
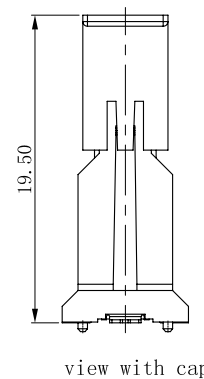
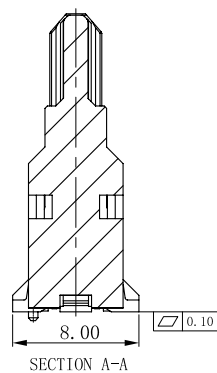
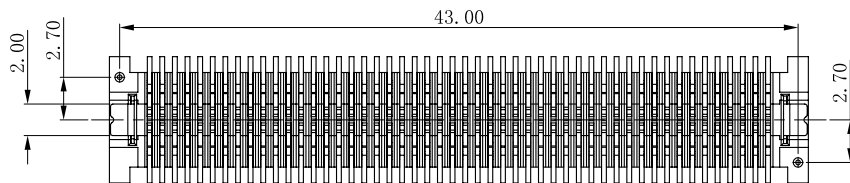
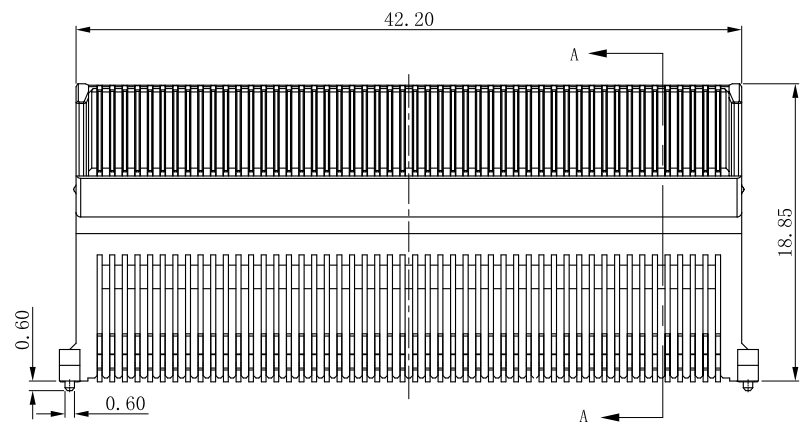
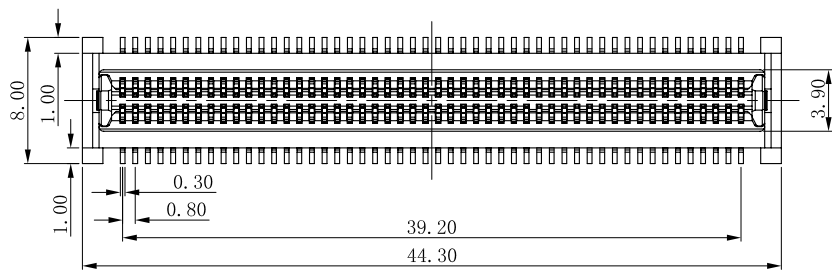
DATE	2020.10.12
DATE	2020.10.12
DATE	2020.10.12

DWG. NO.	600-0000-0227
PARTS NO. (INTENDED USE)	BB41-XXXT-1B-XHR

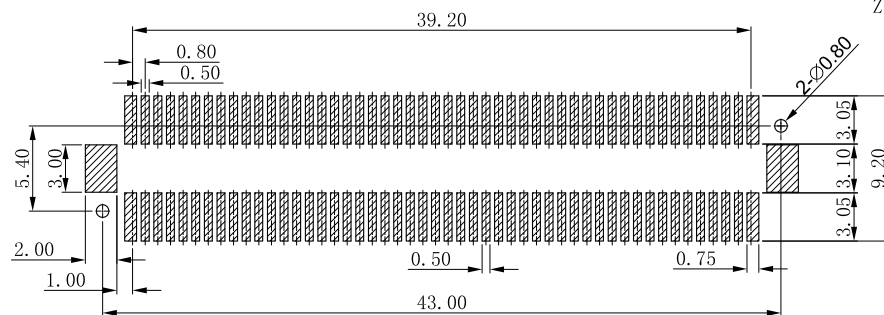
TITLE	CUSTOMER DRAWING
-------	------------------

REV.	3
SHEET	2/6

100PIN: BB41-A0BT-1B-XHR



X方向浮动量: ±0.5  
Y方向浮动量: ±0.5  
Z方向浮动量: ±0.5



RECOMMENDED PCB LAYOUT  
TOLERANCE: ±0.05mm



ShenZhen ShenTai weixiang Electronics Co., Ltd.

TOLERANCE UNLESS OTHERWISE SPECIFIED

X.X	±0.30	X.°	±3°
X.XX	±0.20	X.X°	±2°
X.XXX		X.XX°	±1°

SCALE	1:1
UNIT	mm
SIZE	A4



ORIGINAL DRAWN:  
Qinghua Fu  
CHECK:  
Guangyu Guo  
APPROVE:  
Ady Zhou

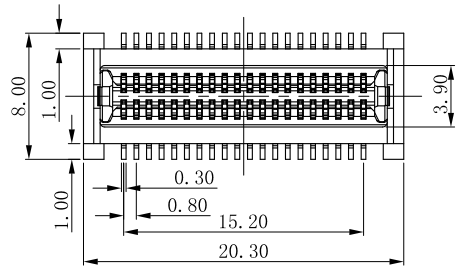
DATE  
2020.10.12  
DATE  
2020.10.12  
DATE  
2020.10.12

DWG. NO.  
600-0000-0227  
PARTS NO. (INTENDED USE)  
BB41-XXXT-1B-XHR

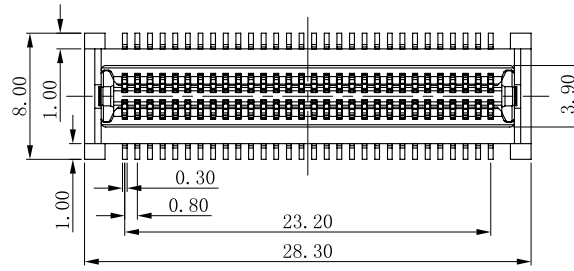
TITLE  
CUSTOMER DRAWING

REV.  
3  
SHEET  
3/6

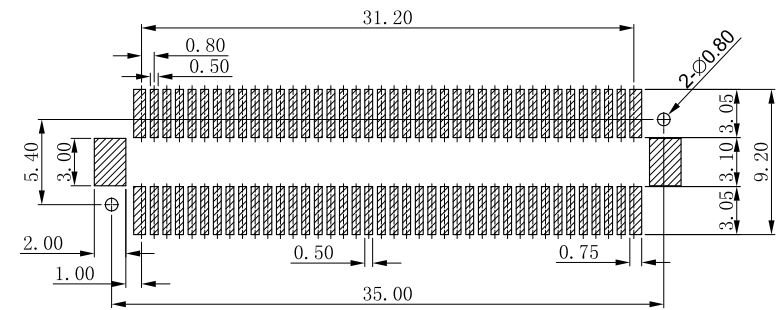
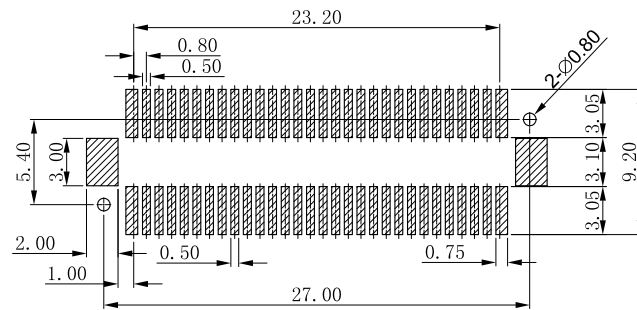
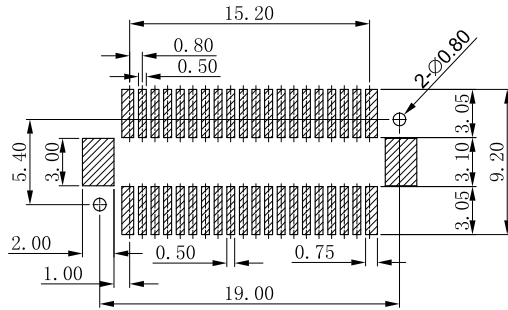
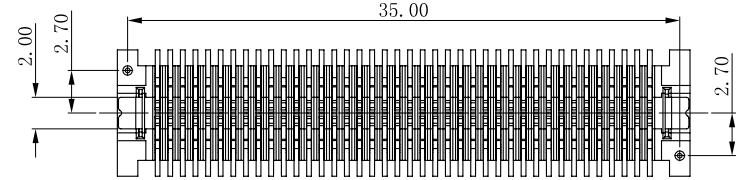
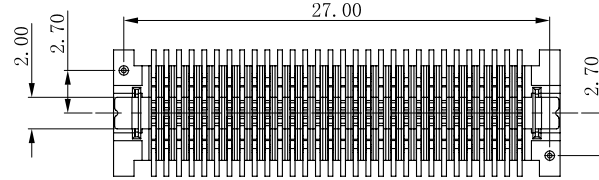
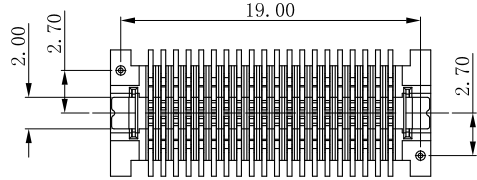
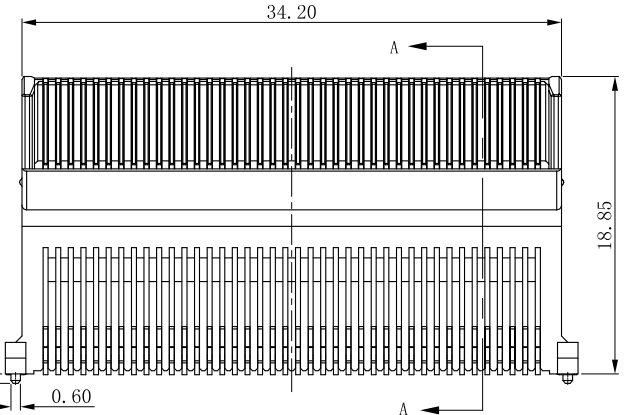
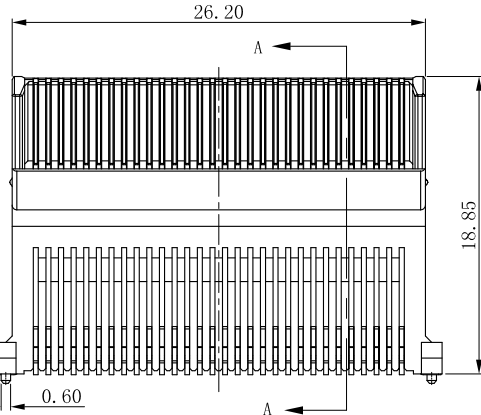
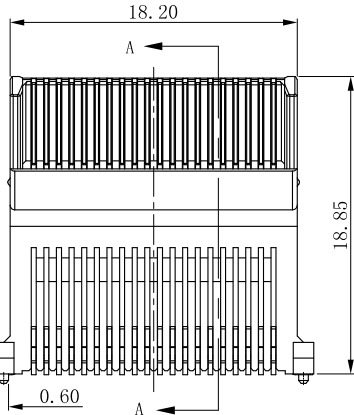
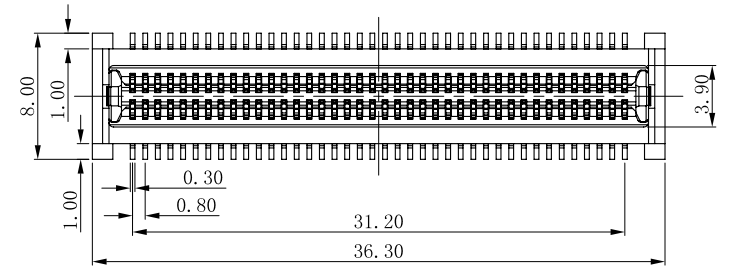
40PIN: BB41-40BT-1B-XHR



60PIN: BB41-60BT-1B-XHR



80PIN: BB41-80BT-1B-XHR



RECOMMENDED PCB LAYOUT

TOLERANCE: ±0.05mm

RECOMMENDED PCB LAYOUT

TOLERANCE: ±0.05mm

RECOMMENDED PCB LAYOUT

TOLERANCE: ±0.05mm



ShenZhen ShenTai weixiang Electronics Co., Ltd.

TOLERANCE UNLESS OTHERWISE SPECIFIED

X.X	±0.30	X.°	±3°
X.XX	±0.20	X.X°	±2°
X.XXX		X.XX°	±1°

SCALE	1:1
UNIT	mm
SIZE	A4



ORIGINAL DRAWN:  
Qinghua Fu  
CHECK:  
Guangyu Guo  
APPROVE:  
Ady Zhou

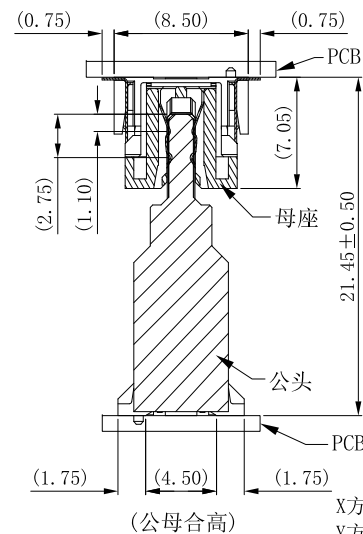
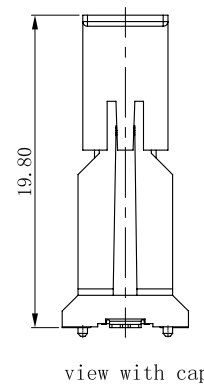
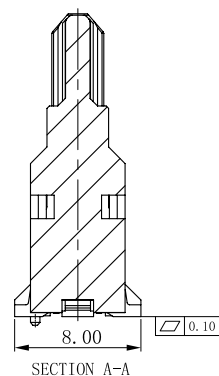
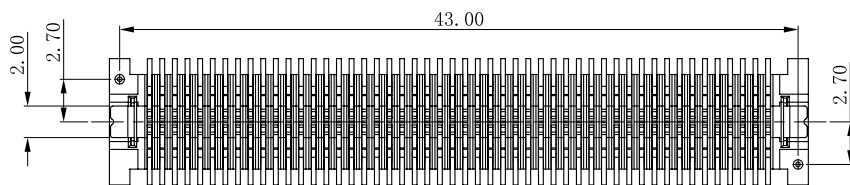
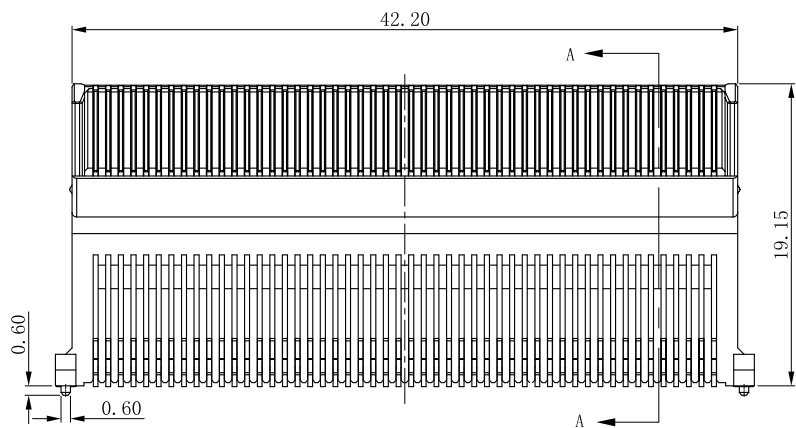
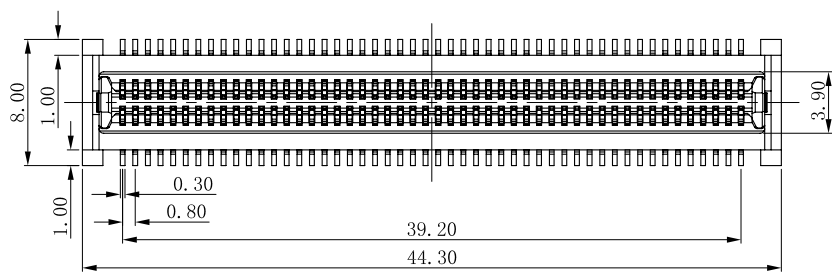
DATE  
2020.10.12  
DATE  
2020.10.12  
DATE  
2020.10.12

DWG. NO.  
600-0000-0227  
PARTS NO. (INTENDED USE)  
BB41-XXXT-1B-XHR

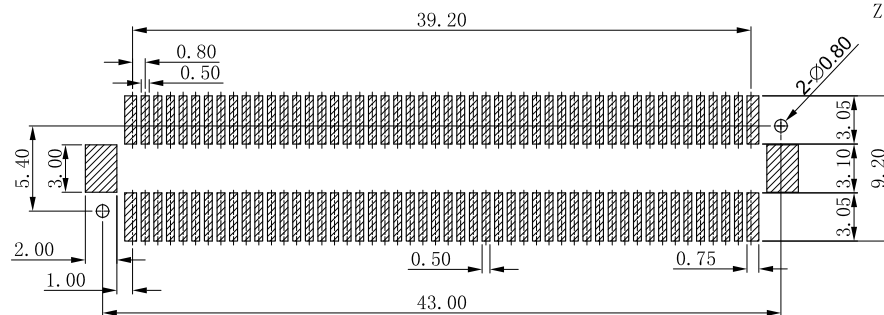
TITLE  
CUSTOMER DRAWING

REV.  
3  
SHEET  
4/6

100PIN: BB41-A0ET-1B-XHR



X方向浮动量: ±0.5  
Y方向浮动量: ±0.5  
Z方向浮动量: ±0.5



RECOMMENDED PCB LAYOUT  
TOLERANCE: ±0.05mm



ShenZhen ShenTai weixiang Electronics Co., Ltd.

TOLERANCE UNLESS OTHERWISE SPECIFIED

X.X	±0.30	X.°	±3°
X.XX	±0.20	X.X°	±2°
X.XXX		X.XX°	±1°

SCALE	1:1
UNIT	mm
SIZE	A4



ORIGINAL DRAWN:  
Qinghua Fu  
CHECK:  
Guangyu Guo  
APPROVE:  
Ady Zhou

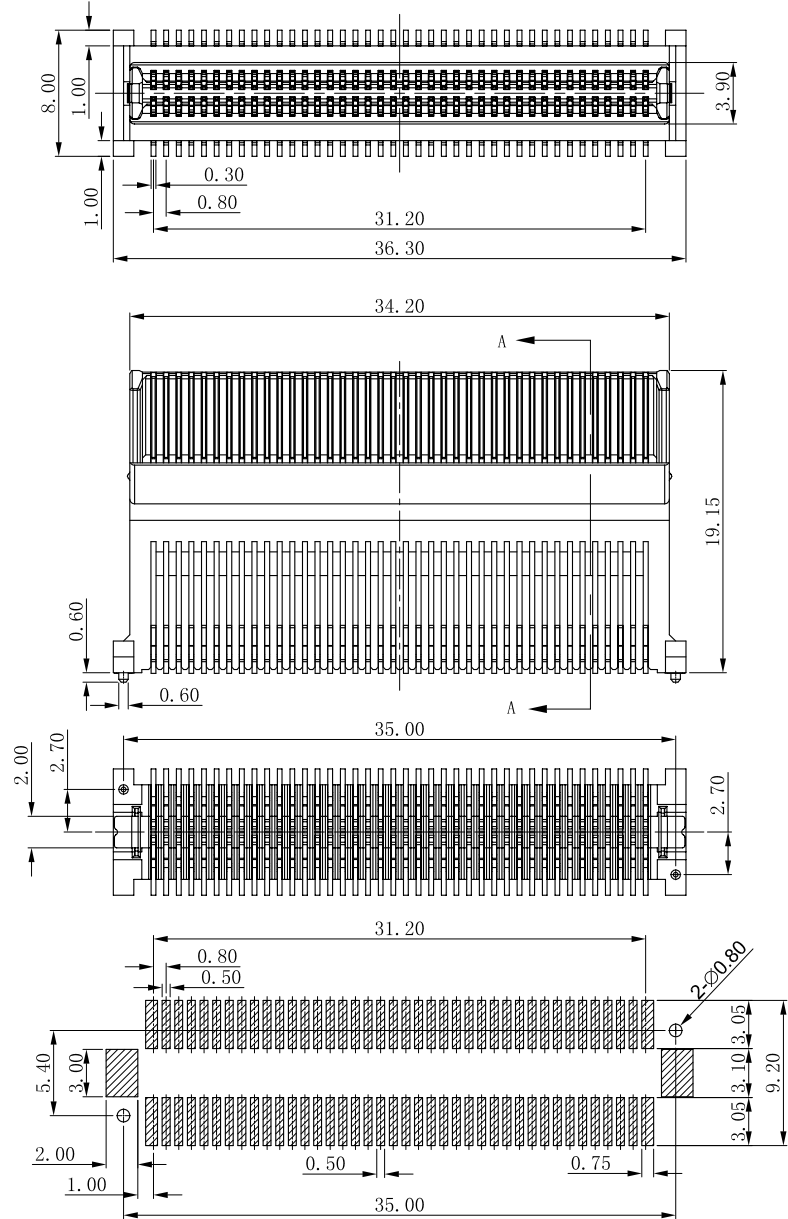
DATE  
2020.10.12  
DATE  
2020.10.12  
DATE  
2020.10.12

DWG. NO.  
600-0000-0227  
PARTS NO. (INTENDED USE)  
BB41-XXXT-1B-XHR

TITLE  
CUSTOMER DRAWING

REV.  
3  
SHEET  
5/6

80PIN: BB41-80DT-1B-XHR



RECOMMENDED PCB LAYOUT

TOLERANCE: ±0.05mm



ShenZhen ShenTai weixiang Electronics Co., Ltd.

TOLERANCE UNLESS OTHERWISE SPECIFIED

X.X	±0.30	X.°	±3°
X.XX	±0.20	X.X°	±2°
X.XXX		X.XX°	±1°

SCALE	1:1
UNIT	mm
SIZE	A4



ORIGINAL DRAWN:	Qinghua Fu
CHECK:	Guangyu Guo
APPROVE:	Ady Zhou

DATE	2020.10.12
DATE	2020.10.12
DATE	2020.10.12

DWG. NO.	600-0000-0227
PARTS NO. (INTENDED USE)	BB41-XXXT-1B-XHR

TITLE	CUSTOMER DRAWING
-------	------------------

REV.	3
SHEET	6/6

## X-ON Electronics

Largest Supplier of Electrical and Electronic Components

*Click to view similar products for [Standard Card Edge Connectors](#) category:*

*Click to view products by [STWXE](#) manufacturer:*

Other Similar products are found below :

[CR7E-30DB-3.96E\(72\)](#) [6565204-6](#) [1437274-4](#) [EBT15622B2X](#) [1-582587-1](#) [284-0102-12100](#) [286-0052-12101A](#) [306022901000000](#) [307-012-502-202](#) [307-056-520-300](#) [A6D22DS29C2](#) [1926088-2](#) [287-0032-12101](#) [345-060-559-303](#) [392-008-559-201](#) [534671-1](#) [341-240-317](#) [345-044-500-300](#) [346-240-318](#) [387-012-523-300](#) [395-100-524-300](#) [09-07-2032](#) [10035388-802LF](#) [10115859-011LF](#) [10122859-009LF](#) [101269333204245CLF](#) [530555-1](#) [66925-516LF](#) [5145409-2](#) [73726-0005](#) [66308-1](#) [5036A30](#) [PEC-07-02-T-S-A](#) [346-014-520-801](#) [KSLX-62-BR](#) [307-048-502-202](#) [CE100F26-7-C](#) [CE100F28-3-D](#) [CE100F28-4-D](#) [CE156F18-9-C](#) [CE156F22-5-D](#) [CE156F22-9-C](#) [CT100F22-2-D](#) [CT100F22-3-D](#) [CT100F24-2-D](#) [CT100F24-3-D](#) [CT100F24-6-C](#) [CT156F22-4-D](#) [MLSS100-12-C](#) [MLSS100-16-C](#)