

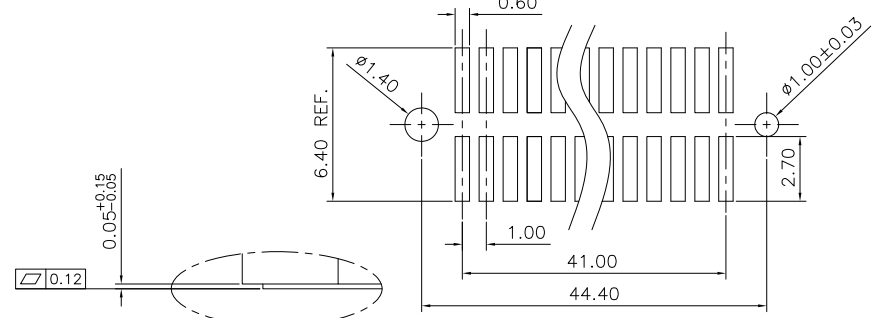
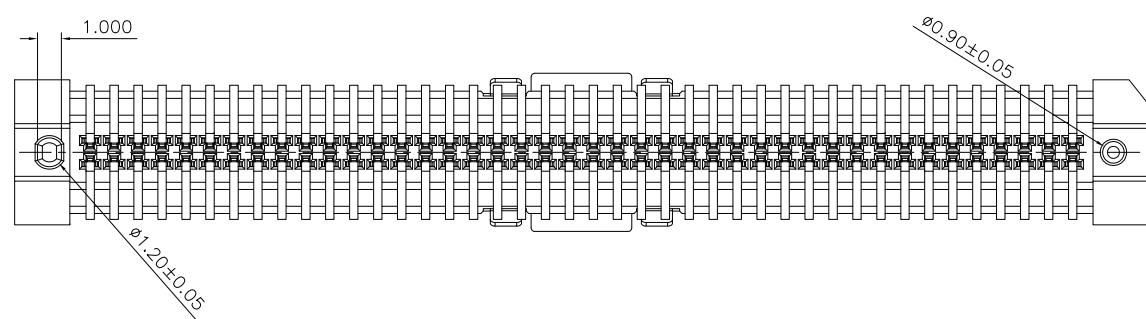
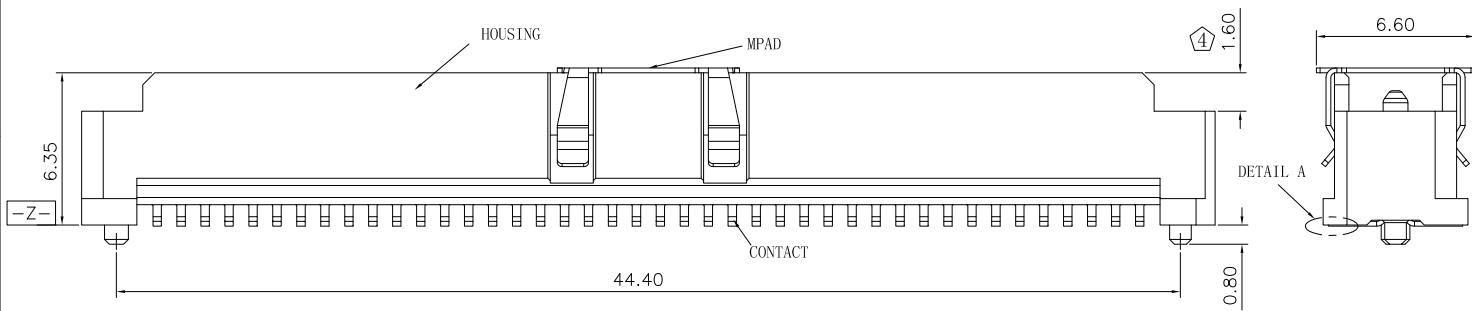
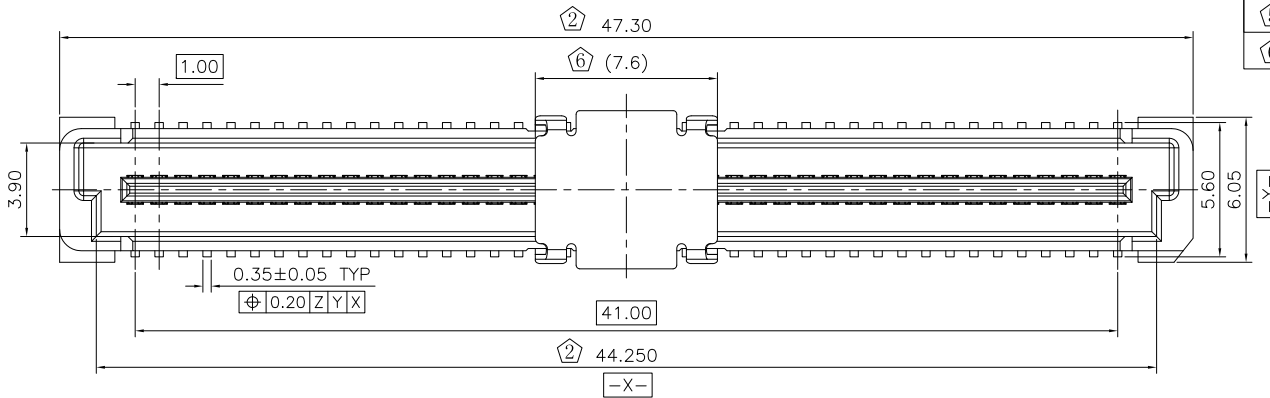
REV.	ECN Number	Description	Drawn
1	CS18120393	RELEASE	XPG_2018.12.27
②	E19010007	Modify Interface (Mated)	XPG_2019.01.03
③	E19010025	Add plating code:3	SJ_2019.01.17
④	E19010040	Modify Shape	XPG_2019.01.29
⑤	E19040019	Modify MPAD & Insertion Force	Peak_2019.04.24
⑥	E20080033	Modify MPAD	Peak_2020.08.31

- NOTES: (UNLESS OTHERWISE SPECIFIED)
1. DIMENSION SHALL BE INTERPRETED PER ANSI Y14.5M-1994.
2. MATERIAL:
HOUSING MATERIAL: HIGH TEMPERATURE PLASTICS.
CONTACT MATERIAL: COPPER ALLOY,
MPAD MATERIAL: STAINLESS STEEL.
3. ELECTRICAL SPECIFICATION:
CONTACT RESISTANCE: 30 m ohms Max(Initial).
INSULATION RESISTANCE: 1000M ohms Min.
CURRENT RATING: 1.0A.
DIELECTRIC WITHSTANDING VOLTAGE: 250V AC
4. MECHANICAL SPECIFICATION:
INSERTION FORCE: 90gf Max. Per Pin. ⑤
WITHDRAWAL FORCE: 10gf Min. Per Pin.
5. PRODUCT NUMBER MATRIX:

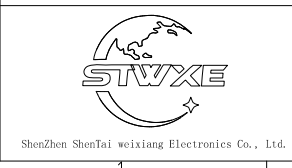
B B 5 1-84 A T- 1 - X H B

BTB	Series code	1.00 Pitch	Plug	PIN No.	84:84PIN	Height	Soldering Type	Packing:
						A: H=6.35mm	T:SMT	B: REEL+MPAD
								H: Halogen free
								Plating

Definition		Code	
◎ Duplex plated			
flash	K	1u"	S 3u" L
	5u"	M	10u" N 15u" P
	20u"	Q	25u" T 30u" U
	2u"	3	



RECOMMENDED PCB LAYOUT
TOLERANCE ±0.05



TOLERANCE UNLESS OTHERWISE SPECIFIED			
X.X	±0.30	X.°	±3°
X.XX	±0.20	X.X°	±2°
X.XXX	±0.10	X.XX°	±1°

SCALE	1:1
UNIT	mm
SIZE	A4

ORIGINAL DRAWN:	Peak	DATE	2020.08.31
CHECK:	Xu peiguang	DATE	2020.08.31
APPROVE:	Ady zhou	DATE	2020.08.31

DWG. NO.	600-0000-0430
PARTS NO. (INTENDED USE)	BB51-84AT-1-XHB

TITLE	BB51-84AT CUSTOMER DRAWING
-------	-------------------------------

REV.	6
SHEET	1/1

X-ON Electronics

Largest Supplier of Electrical and Electronic Components

Click to view similar products for [Board to Board & Mezzanine Connectors](#) category:

Click to view products by [STWXE](#) manufacturer:

Other Similar products are found below :

[589158040000018](#) [MDF7C-18P-2.54DSA\(55\)](#) [FCN-268F036-G/BD](#) [FCN-268M012-G/0D](#) [FCN-268M024-G/1D](#) [MIS-048-01-F-D-DP-K](#)
[832-10-034-10-001000](#) [FX4C-80S-1.27DSA](#) [93696-330](#) [224393](#) [FCN-235D050-G/C](#) [210-93-314-41-105000](#) [MDF7-40DP-2.54DSA\(55\)](#)
[MIT-114-03-F-D-K](#) [55323-1519](#) [026-6203-PDB](#) [027-6203-PDB](#) [069159702701000](#) [101A10019X](#) [105061100000861+](#) [55650-0588-C](#) [75140-](#)
[7012](#) [87471-650](#) [YTW-30-07-H-Q-410-140](#) [YTT-112-01-H-Q](#) [063209](#) [10124054-515LF](#) [68685-603](#) [8-1616154-3](#) [MIS-019-01-F-D](#) [YTQ-](#)
[12103HQ](#) [541371078](#) [IL-WX-10PB-HF-B-E1000E](#) [FCN-214J100-G/0](#) [FCN-230C068-E/S](#) [354184](#) [MIT-019-04-F-D-K](#) [P50-028-DDS-TG](#)
[53309-2471](#) [54546-2071](#) [1586617-1](#) [504208-3010](#) [504208-5010](#) [504248-1010](#) [504248-1210](#) [504248-2010](#) [LST-115-07-S-D](#) [LST-105-07-G-](#)
[D](#) [9159005551906](#) [NDS100-004-BF](#)