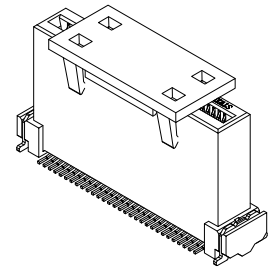
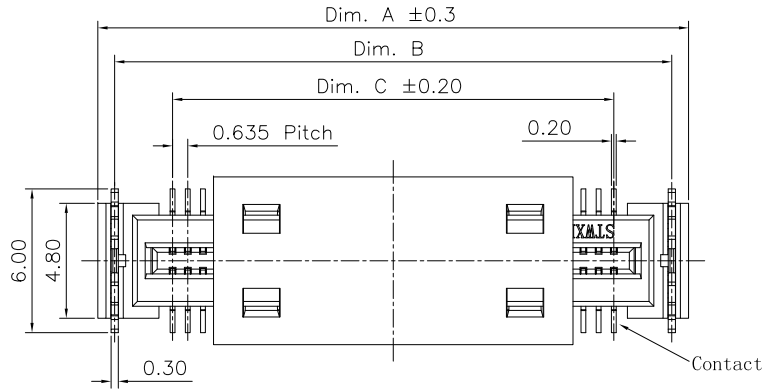


REV.	ECN Number	Description	Drawn
1	CS21060023	RELEASE	Peak_2021.06.08



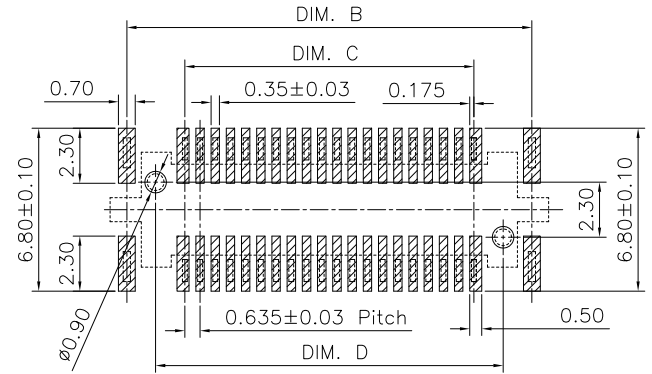
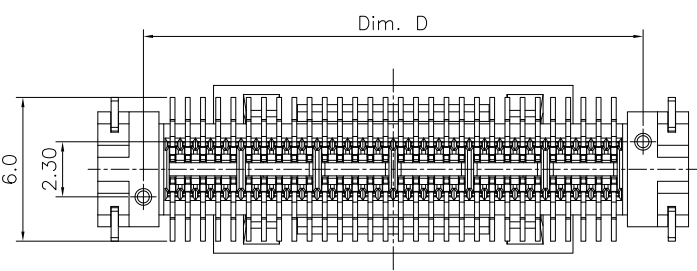
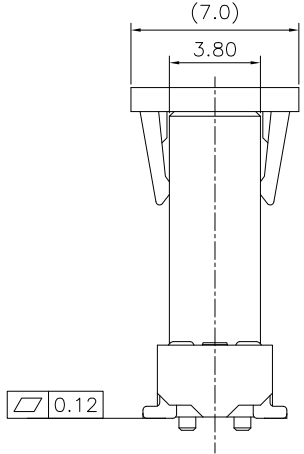
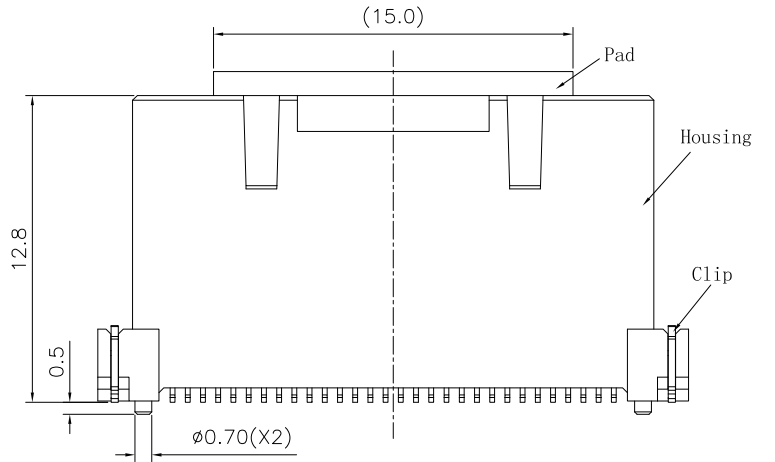
NOTES:
 1. MATERIAL:
 HOUSING & PAD : HIGH TEMPERATURE PLASTICS.
 CONTACT : COPPER ALLOY.
 CLIP : COPPER ALLOY.
 2. PRODUCT NUMBER MATRIX:

B C 3 2-XX C T-1 B -X X X

BTB
 Series Code
 0.635 Pitch
 Receptacle
 Pin No.
 40=40Pin
 80=80Pin A0=100Pin
 Height
 C: H=12.8mm
 Soldering Type
 T:SMT
 Housing Color
 B:Black

Packing:
 R:Reel+PAD
 L:Hot Sealing Reel+PAD
 C:Reel+Mylar
 U:Hot Sealing Reel+Mylar
 H:Halogen Free
 F:High Temperature Thermoplastic
 Contact Plating

Definition	Code
◎ Gold plated over all	
flash B	1u" R 3u" C
5u" D	10u" E 15u" F
20u" G	25u" H 30u" J
◎ Duplex plated	
flash K	1u" S 3u" L
5u" M	10u" N 15u" P
20u" Q	25u" T 30u" U



RECOMMENDED PCB LAYOUT TOLERANCE ±0.05

PIN NO.	DIM. A	DIM. B	DIM. C	DIM. D
40	18.30	16.90	12.065	14.50
60	24.65	23.25	18.415	20.85
80	31.00	29.60	24.765	27.20
100	37.35	35.95	31.115	33.55



TOLERANCE UNLESS OTHERWISE SPECIFIED			
X.X	±0.30	X.°	±3°
X.XX	±0.20	X.X°	±2°
X.XXX	±0.10	X.XX°	±1°

SCALE 1:1
 UNIT mm
 SIZE A4

ORIGINAL DRAWN: Peak
 CHECK: Xu peiguang
 APPROVE: Ady Zhou

DATE 2021.06.08
 DATE 2021.06.08
 DATE 2021.06.08

DWG. NO. 600-0000-0574
 PARTS NO. (INTENDED USE) BC32-XXCT-1B-XXX

TITLE 0.635Pitch Floating BTB Receptacle SMT

REV. 1
 SHEET 1/1

X-ON Electronics

Largest Supplier of Electrical and Electronic Components

Click to view similar products for [Board to Board & Mezzanine Connectors](#) category:

Click to view products by [STWXE](#) manufacturer:

Other Similar products are found below :

[589158040000018](#) [MDF7C-18P-2.54DSA\(55\)](#) [FCN-268F036-G/BD](#) [FCN-268M012-G/0D](#) [FCN-268M024-G/1D](#) [FCN-723J004/1](#) [MIS-048-01-F-D-DP-K](#) [832-10-034-10-001000](#) [FX4C-80S-1.27DSA](#) [93696-330](#) [224393](#) [FCN-235D050-G/C](#) [210-93-314-41-105000](#) [2-22603-0](#) [MDF7-40DP-2.54DSA\(55\)](#) [5031084030](#) [MIT-114-03-F-D-K](#) [55323-1519](#) [45970-4130](#) [YFT-20-05-H-03-SB-K](#) [503308-3040](#) [026-6203-PDB](#) [027-6203-PDB](#) [069159702701000](#) [101A10019X](#) [105061100000861+](#) [55650-0588-C](#) [75140-7012](#) [87471-650](#) [YTW-30-07-H-Q-410-140](#) [YTT-112-01-H-Q](#) [063209](#) [0717420006](#) [FCN-268F024-G0D](#) [10124054-515LF](#) [68685-603](#) [8-1616154-3](#) [MIS-019-01-F-D](#) [IL-WX-10PB-HF-B-E1000E](#) [YFT-50-05-H-10-SB-K](#) [FCN-268M024-G/3D](#) [MDF7-16DP-2.54DSA\(55\)](#) [AXE810124](#) [FCN-214J100-G/0](#) [FCN-230C068-E/S](#) [AXE812124](#) [74220-001](#) [354184](#) [P50-028-DDS-TG](#) [53309-2471](#)