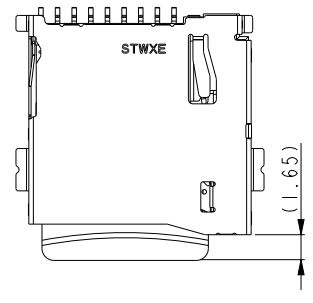
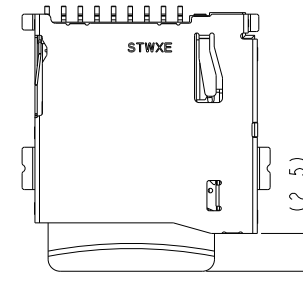
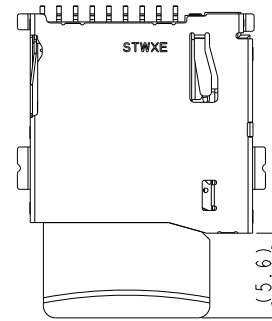
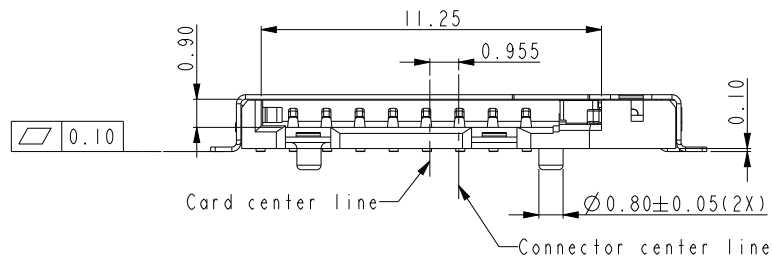
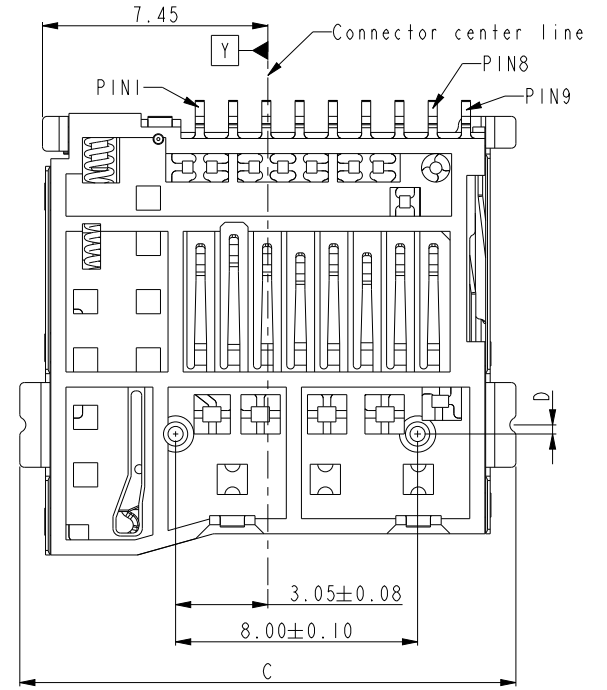
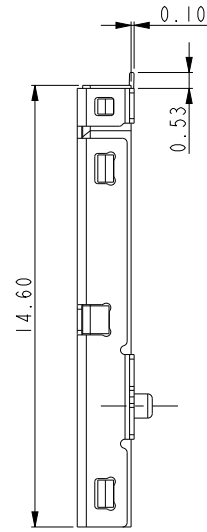
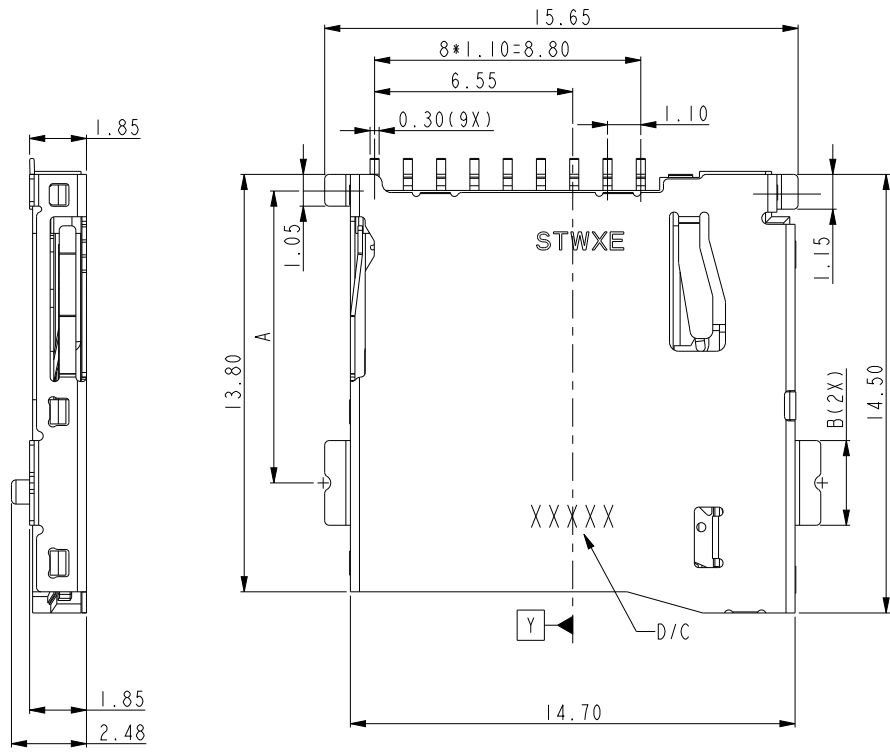


REV.	ECN Number	Description	Drawn
1	CSI8110186	RELEASE	ZL_2018.11.26



Card Push Out

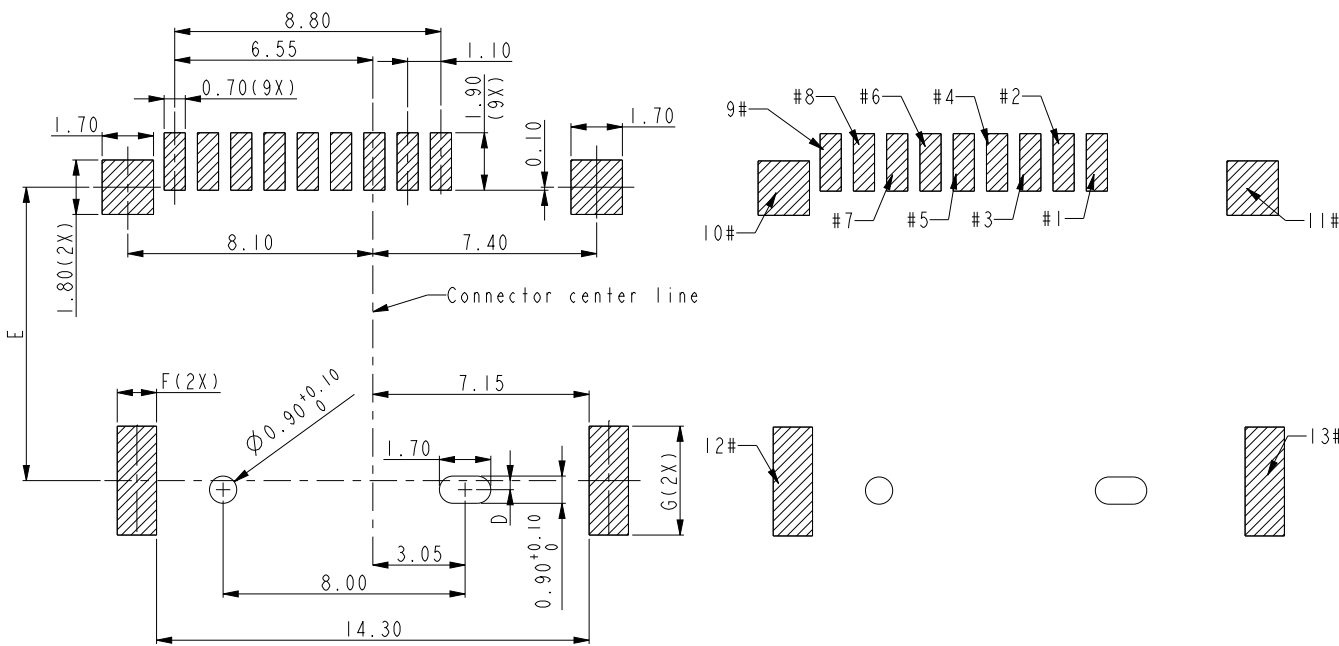
Card Working

Card Push In

CBBS-08-3-BHK	9.65	2.80	16.40	0.30
CBBS-08-2-BHK				
CBBS-08-1-BHK	9.55	1.80	16.20	0.40
PART No.	DIM. A	DIM. B	DIM. C	DIM. D

 ShenZhen ShenTai weixiang Electronics Co.,Ltd	TOLERANCE UNLESS OTHERWISE SPECIFIED				SCALE 4:1	ORIGINAL DRAWN: ZL	DATE 2018.11.26	DWG. NO. 600-0000-0420	TITLE (MICRO SD CONNECTOR) CUSTOMER DRAWING	REV. 1	
	X.X	±0.30	X.°	±3°	UNIT mm	CHECK: Yhong	DATE 2018.11.26			PARTS NO. (INTENDED USE) CBBS-08-X-BHK	SHEET 1/3
	X.XX	±0.20	X.X°	±2°	SIZE A4	APPROVE: Ady zhou	DATE 2018.11.26				
	X.XXX	±0.10	X.XX°	±1°							

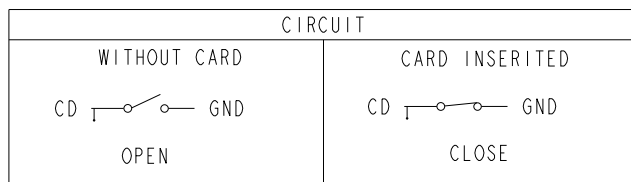
▨: PAD AREA



RECOMMENDED P.C.B LAYOUT
(GENERAL TOLERANCE ±0.05)

PIN ASSIGNMENTS

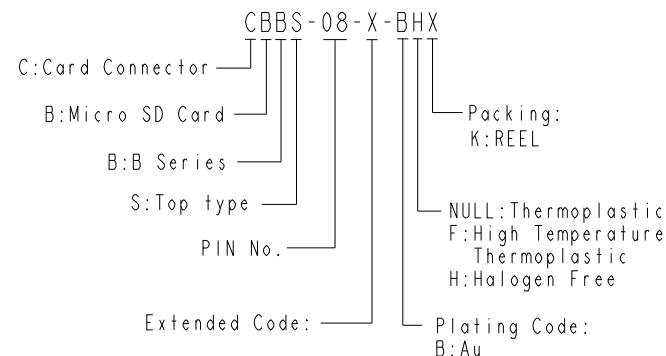
Pin No.	Name	Description
#1	DAT2	Data Line
#2	CD/DAT3	Card Detect/Data Line
#3	CMD	Command/Response
#4	VDD	Supply voltage
#5	CLK	Clock
#6	Vss	Supply voltage ground
#7	DAT0	Data Line
#8	DAT1	Data Line
#9	CD	CARD Detect
#10/#11 #12/#13	GND	GND



PARTS NO.	SHELL PLATING
CBBS-08-1-BHK CBBS-08-2-BHK	SOLDERABLE Ni PLATING OVER ALL.
CBBS-08-3-BHK	PLATING Au ON SOLDER TAIL, WITH Ni UNDERPLATING.

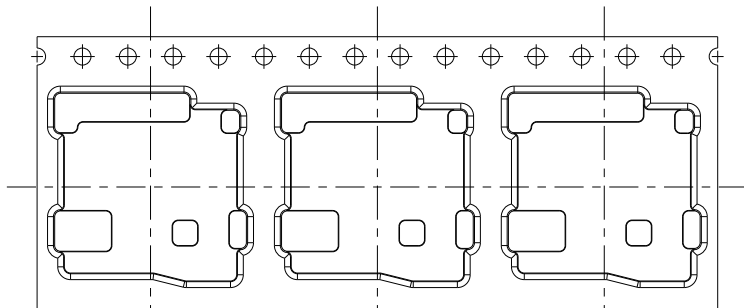
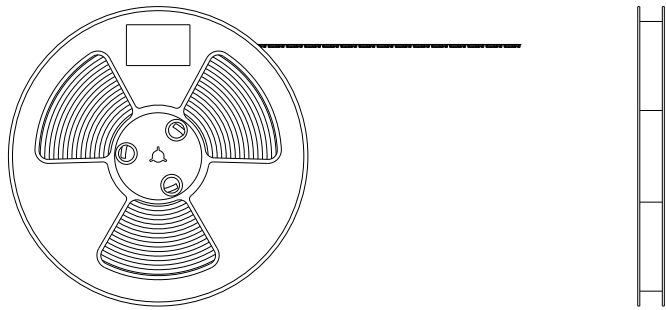
NOTE:

- ELECTRICAL CHARACTERISTICS:
CONTACT CURRENT RATING:0.5 A AC/DC Max.
DIELECTRIC WITHSTANDING VOLTAGE:AC 500V r.m.s.
INSULATION RESISTANCE:1000 mΩ Minimum.
DURABILITY TOTAL 10000 CYCLES MIN.
OPERATING TEMPERATURE: -40°~+85°.
STORAGE TEMPERATURE:-40°~+85°.
- MATERIAL:
1-1 PLASTICS : HEAT RESISTANCE POLYMER,UL94V-0,COLOR:BLACK
1-2 CONTACT : COPPER ALLOY.
1-3 SHELL : STAINLESS STEEL.
- PLATING:
2-1 CONTACT :
2-1-1 CONTACT AREA : PLATING Au 1u"
2-1-2 SOLDER TAIL AREA : MATTE TIN,PLATING OVER Ni
2-2 SHELL :
2-2-1 SEE TABLE
- CONTACT AND TAIL COPLANARITY TO BE 0.10mm MAX.
- RECOMMENDING A METAL MORE THAN 0.15mm THICK.PLEASE CONFIRM SOLDERADILITY, IF USE A METAL MASK LESS THAN 0.15mm THICK.
- HARMFUL MATERIAL CONFORM TO THE "RoHS2.0" STANDARD.
- DIMENSION SHALL BE INTERPRETED PER "ANSI Y14.5M-1994"
- PRODUCT NUMBER MATRIX:



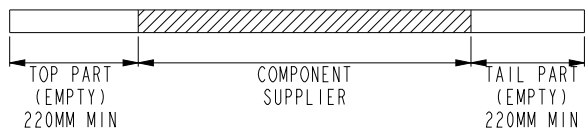
CBBS-08-3-BHK	0.30	9.70	1.30	3.60
CBBS-08-2-BHK				
CBBS-08-1-BHK	0.40	9.60	1.40	2.60
PART No.	DIM. D	DIM. E	DIM. F	DIM. G

 ShenZhen ShenTai weixiang Electronics Co.,Ltd	TOLERANCE UNLESS OTHERWISE SPECIFIED				SCALE 4:1	ORIGINAL DRAWN: ZL	DATE 2018.11.26	DWG. NO.	TITLE	REV. I
	X.X	±0.30	X.°	±3°	UNIT mm	CHECK: Yhong	DATE 2018.11.26	600-0000-0420	(MICRO SD CONNECTOR) CUSTOMER DRAWING	SHEET 2/3
	X.XX	±0.20	X.X°	±2°	SIZE A4	APPROVE: Ady zhou	DATE 2018.11.26	PARTS NO.(INTENDED USE)		
	X.XXX	±0.10	X.XX°	±1°				CBBS-08-X-BHK		

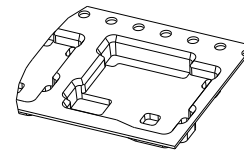
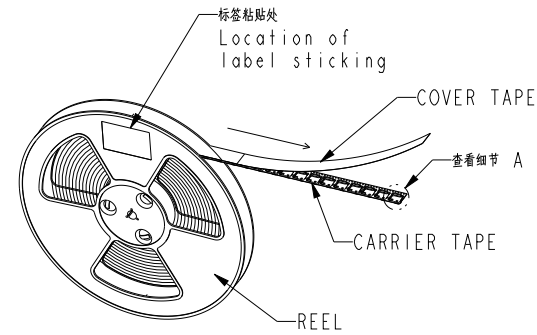
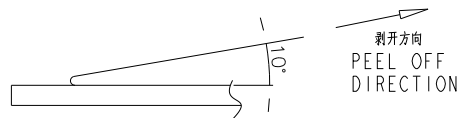


备注:

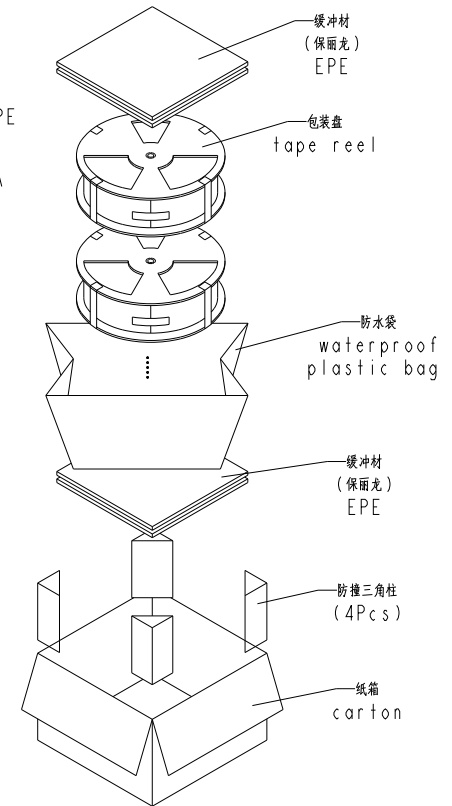
1. 每卷包装数量及每箱装箱数如下表格。
Packing q'ty of each reel & carton as below table shown.
2. 带子引导长度, 出料方向。
Lead tape length, Pull out the direction.



3. 上带剥离力为: 0.1~1.3N (10.2gf~130gf)
Peeling off force of top tape: 0.1~1.3N (10.2gf~130gf)
出货运输过程中一定要注意:
Shipment must pay attention to in the process of transportation:
卷带在运输过程中不能散开
Peeling off should not be allowed during transportation



细节 A
比例 1:1



备注:

1. 每卷包装数量及每箱装箱数量如下表格。
Packing q'ty of each reel & carton as below table shown.
2. 以上胶带覆盖下包装带经包装机包装。
Use cover tape to cover and seal up.
3. 每个纸箱放2个珍珠棉。
Every carton use 2pcs EPE.
4. 将装满产品的卷盘放入纸箱并以胶带封口。
Put reels in the carton and use adhesive tape to seal up.

产品料号 (PRODUCT No.)	包装容量 (PACKING CAPACITY)			重量 WEIGHT (Kg)		
	PCS/REEL	REELS/CARTON	PCS/CARTON	N.W./PCS	N.W./BOX	G.W./BOX
CBBS-08-1-BHK	900	7	6300	0.000584	3.6792	7.4
CBBS-08-2-BHK	900	7	6300	0.000604	3.8052	7.4
CBBS-08-3-BHK	900	7	6300	0.000604	3.8052	7.4



ShenZhen ShenTai weixiang Electronics Co.,Ltd

TOLERANCE UNLESS OTHERWISE SPECIFIED

X.X	±0.30	X.°	±3°
X.XX	±0.20	X.X°	±2°
X.XXX	±0.10	X.XX°	±1°

SCALE 2:1

UNIT mm

SIZE A4



ORIGINAL DRAWN: ZL

CHECK: Yhong

APPROVE: Ady zhou

DATE 2018.11.26

DATE 2018.11.26

DATE 2018.11.26

DWG. NO.

600-0000-0420

PARTS NO. (INTENDED USE)

CBBS-08-X-BHK

TITLE

(MICRO SD CONNECTOR)
CUSTOMER DRAWING

REV.

I

SHEET

3/3

X-ON Electronics

Largest Supplier of Electrical and Electronic Components

Click to view similar products for [Standard Card Edge Connectors](#) category:

Click to view products by [STWXE](#) manufacturer:

Other Similar products are found below :

[6565204-6](#) [PKC-156](#) [1437274-4](#) [147889-1](#) [1489165-4](#) [EBT156-12B1X](#) [EBT15622B2X](#) [EBT156-22R2W](#) [1-582587-1](#) [1-582589-1](#) [2-6437275-9](#) [284-0102-12100](#) [306022901000000](#) [307-012-502-202](#) [307-024-526-201](#) [307-056-520-300](#) [307-080-526-208](#) [1926088-2](#) [245-062-520-350](#) [287-0032-12101](#) [306-010-500-112](#) [306-028-525-102](#) [306-240-318](#) [307-036-502-202](#) [307-036-521-301](#) [307-072-526-202](#) [345-060-559-303](#) [368-004-520-201](#) [392-008-559-201](#) [534671-1](#) [5-530501-5](#) [341-240-317](#) [345-029-520-300](#) [345-030-500-301](#) [345-044-500-300](#) [345-220-058](#) [346-240-318](#) [357-030-526-201](#) [387-012-523-300](#) [395-044-520-300](#) [395-100-524-300](#) [50-12B-10](#) [50-6SN-5](#) [09-07-2032](#) [10035388-106LF](#) [10035388-802LF](#) [10115859-011LF](#) [10122859-009LF](#) [101269333204245CLF](#) [10127905-B04B24BLF](#)