



Shenzhen Shentai Weikang Electronics Co., Ltd.

TOLERANCES UNLESS OTHERWISE SPECIFIED		DIMENSIONS INIT: mm	
X.X	±0.30	X'	±3'
X.XX	±0.20	X.X'	±2'
X.XXX	±1'	X.XX'	±1'

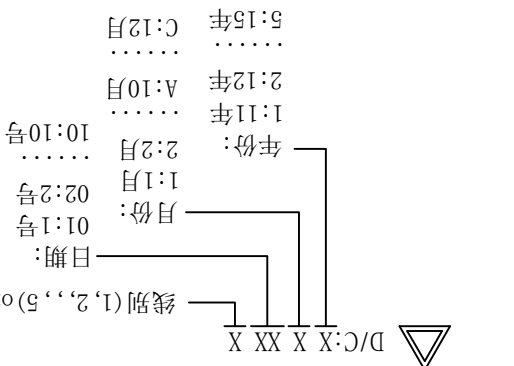
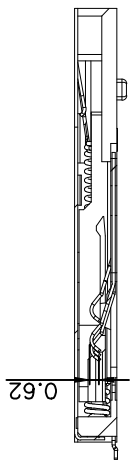
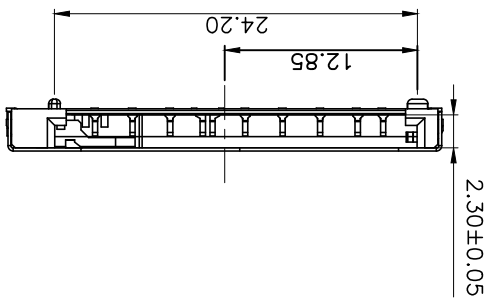
SCALE	1:1
UNIT	mm
SIZE	A4

ORIGINAL DRAWN:	TJW
CHECK:	Yang.Hong
APPROVE:	Yang.Hong

DATE	2015.07.08
DATE	2015.07.08
DATE	2015.07.08

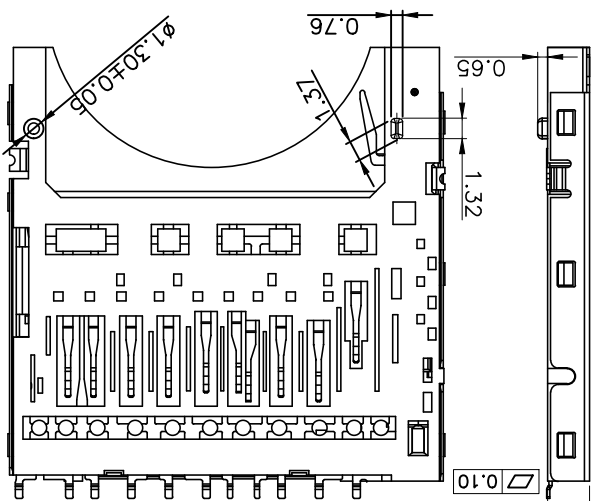
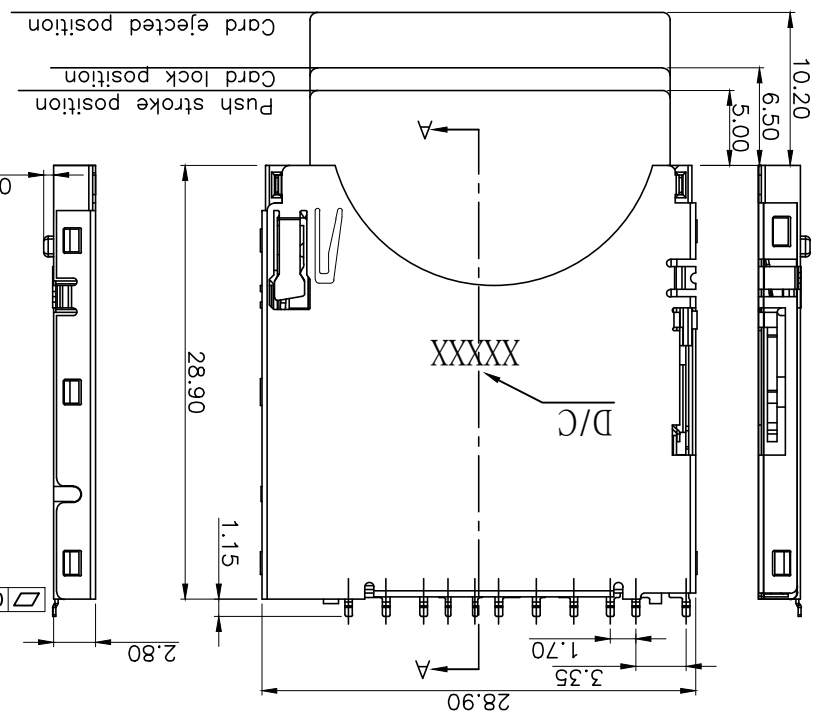
DWG. NO.	600-0000-0018
PARTS NO.(INTENDED USE)	CSD-28X-IM-H

REV.	3
SHEET	1/4
TITLE	SD_CARD_PUSH_PUSHL_TYPE



Code	Definition
A	①Tin plated
H	②Gold plated
F	Flash B 15U" F 5U" H
J	10U" E 30U" J
P	③Duplex plating
D	Flash K 15U" P 5U" D
U	10U" N 30U" U

①Standard: B
Prefix "V" means lead free plating



SPECIFICATION

- DIMENSION SHALL BE INTERPRETED PER ANSI Y14.5M-1994
- MATERIAL: UL 94V-0, COLOR:BLACK
- PLATING: CONTACT:COPPER ALLOYS; COVER:COPPER ALLOYS; UNDERPLATE:NICKEL
- COPLANARITY MUST BE WITHIN 0.10mm; SOLDER AREA:UNLEAD OVER NICKEL; CONTACT AREA:GOLD OVER NICKEL
- DATECODE YES OR NO.
- PART NO. CSD-28X-IM-H
- CARD TYPE: H:halogen free; N:with halogen
- SERIES NUMBER
- INSERT MOLDING
- PLATING CODE

REV.	ECN Number	Description	Drawn
2	E15060003	修改端子头部高度	TJW_2015.05.18
3	E15070008	新增D/C	TJW_2015.07.08



Shenzhen Shentai Weikang Electronics Co., Ltd.

X.XXX	X.XXX	X.XXX	±1.
X.XX	X.XX	±0.20	±2.
X.X	±0.30	X'.	±3.
DIMENSIONS INIT: mm			
TOLERANCES UNLESS OTHERWISE SPECIFIED			

SCALE	1:1
UNIT	mm
SIZE	A4

ORIGINAL DRAWN:	TJW
CHECK:	Yang.Hong
APPROVE:	Yang.Hong
DATE	2015.07.08

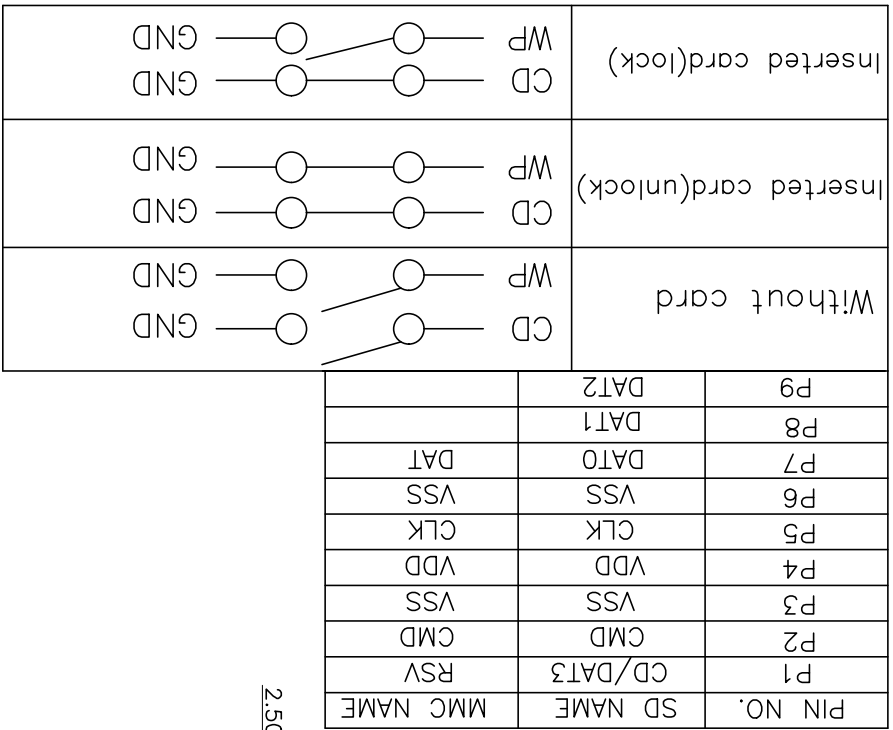
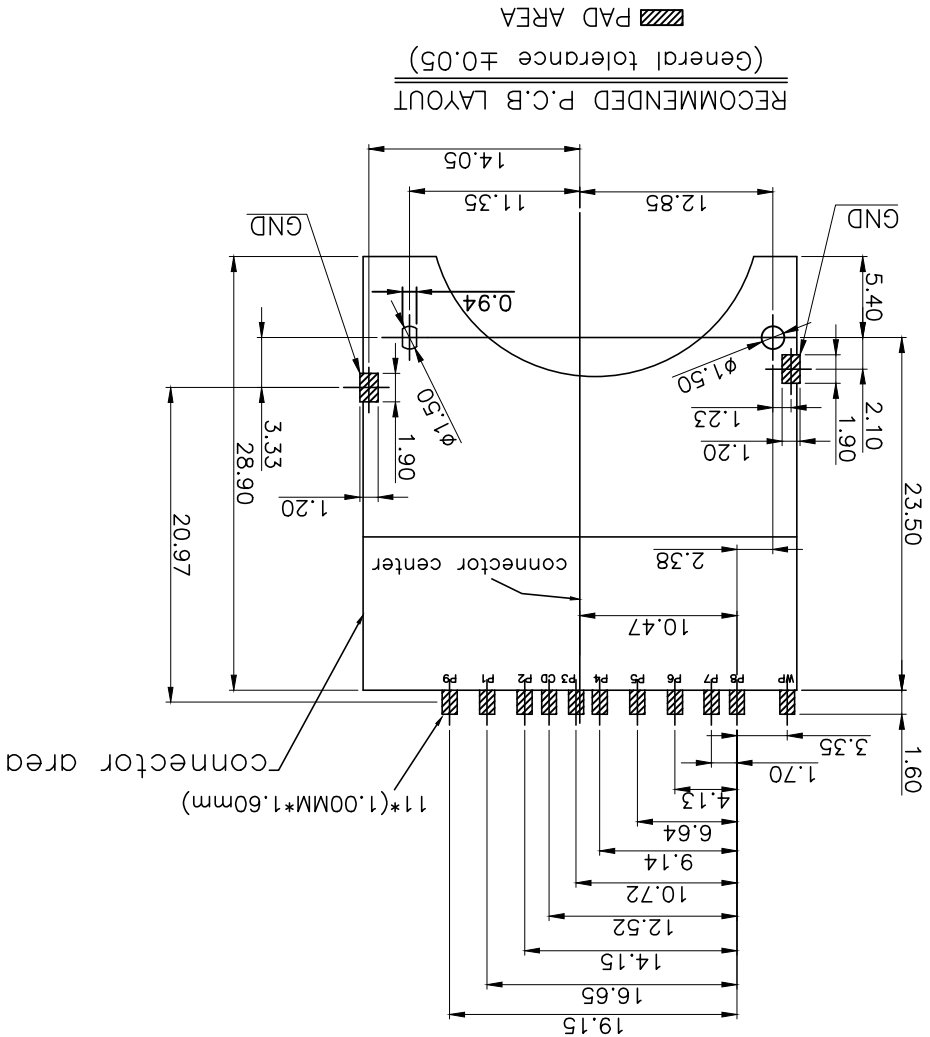
DWG. NO.	600-0000-0018
DATE	2015.07.08

PARTS NO.(INTENDED USE)	CSD-28X-IM-H
DATE	2015.07.08

TITLE

SD_CARD_PUSH_PUSHL_TYPE

REV. 3
SHEET 2/4





Shenzhen Shentai Weixiang Electronics Co., Ltd.

TOLERANCES UNLESS OTHERWISE SPECIFIED

DIMENSIONS INIT: mm

X.X	±0.30	X'	±3'
-----	-------	----	-----

X.XX	±0.20	X.X'	±2'
------	-------	------	-----

X.XXX	±1.	X.XX'	±1'
-------	-----	-------	-----

SCALE 1:1

UNIT mm

SIZE A4



APPROVE: Yang,Hong

DATE 2015.07.08

ORIGINAL DRAWN: TJW

DATE 2015.07.08

CHECK: Yang,Hong

DATE 2015.07.08

PARTS NO.(INTENDED USE) CSD-28X-IM-H

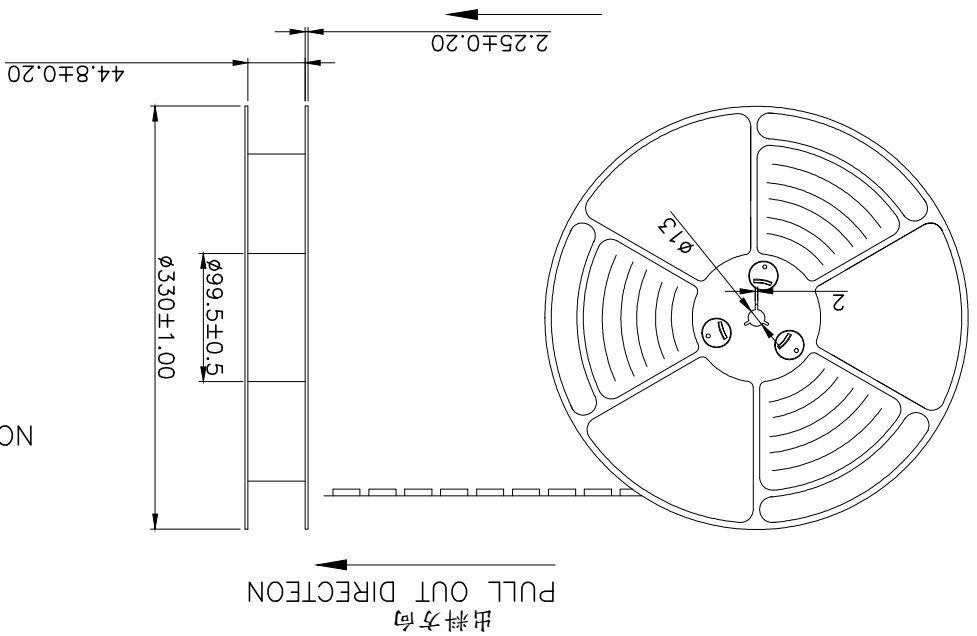
DWG. NO. 600-0000-0018

TITLE

SD_CARD_PUSH_PUSHL_TYPE

SHEET 3/4

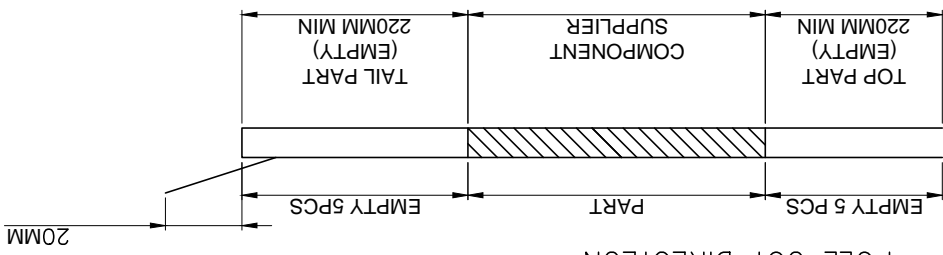
REV. 3



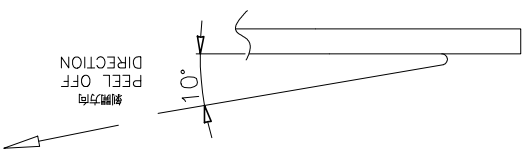
1. 每捲包裝數量及每箱裝箱數量如下表格.
Packing qty of each reel & carton as below table shown.

NOTES

2. 帶子引導長度
LEAD TAPE LENGTH
出料方向
PULL OUT DIRECTION



3. 上帶剝力力為: $0.1 \sim 1.3N$ ($10.2gf \sim 130gf$)
PEELING OFF FORCE OF TOP TAPE: $0.1 \sim 1.3N$ ($10.2gf \sim 130gf$)
出貨, 運輸過程中一定注意:
THIS REQUIREMENT SHOULD BE APPLIED AT SHIPMENT:
卷帶在運輸過程中不能散開
PEELING OFF SHOULD NOT BE ALLOWED DURING TRANSPORTATION





Shenzhen Shentai Weixiang Electronics Co., Ltd.

TOLERANCES UNLESS OTHERWISE SPECIFIED

DIMENSIONS INIT: mm

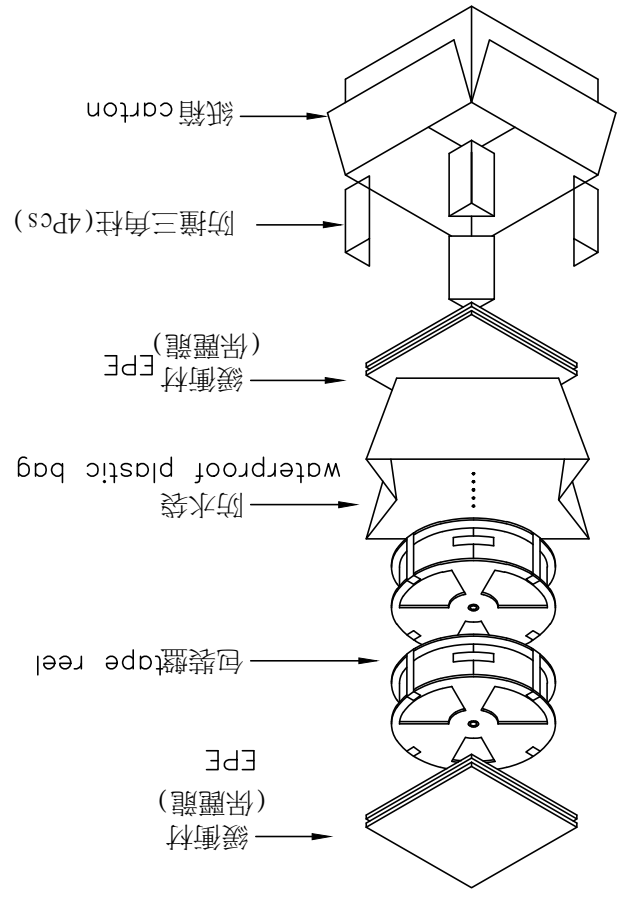
X.XXX	±1.
X.XX	±2.
X.X	±3.
X.XX	±0.20
X.X'	±2.
X.XX'	±1.

SCALE	1:1
UNIT	mm
SIZE	A4

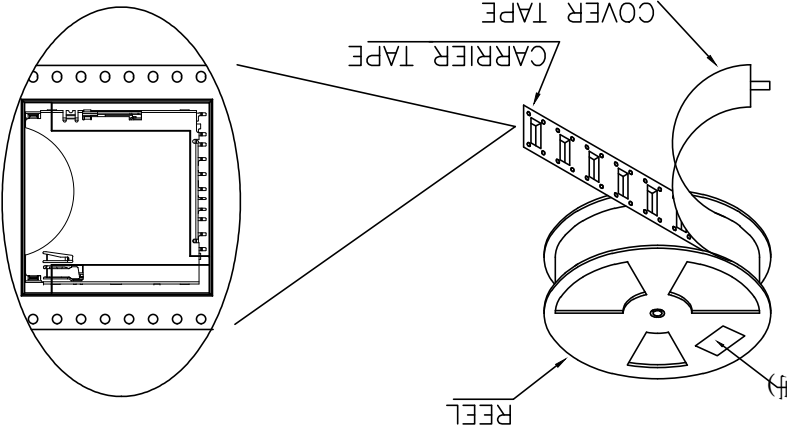
ORIGINAL DRAWN:	TJW
DATE	2015.07.08
CHECK:	Yang.Hong
DATE	2015.07.08
APPROVE:	Yang.Hong
DATE	2015.07.08

DWG. NO.	600-0000-0018
TITLE	SD_CARD_PUSH_PUSHL_TYPE
PARTS NO.(INTENDED USE)	CSD-28X-1M-H

REV.	3
SHEET	4/4



- NOTE:
1. 每捲包裝數量及每箱裝箱數量如下表格。
Packing q'ty of each reel & carton as below table shown
 2. 以上膠帶覆蓋下包裝帶經包裝機熱熔包裝
Use cover tape to cover and hot melt
 3. 每個紙箱放2個珍珠棉
Every carton use 2pcs EPE.
 4. 將裝滿產品的卷盤放入紙箱并以膠帶封口
Put reels in the carton and use adhesive tape to seal up.



標簽黏貼處 (朝捲裝包材的小定位孔一側)
Location of label sticking (label at small positioning hole of the carrier tape side).

產品料號 (PRODUCT No.)	CSD-28X-1M-X	包裝容量 (PACKING CAPACITY)	400	重量 WEIGHT (Kg)
	4		1600	
PCS/REEL	REELS/CARTON	PCS/CARTON	N.W./PCS	G.W./BOX
400	4	1600	2.40g	

X-ON Electronics

Largest Supplier of Electrical and Electronic Components

Click to view similar products for [Memory Card Connectors](#) category:

Click to view products by [STWXE](#) manufacturer:

Other Similar products are found below :

[M10-597810-355](#) [M21-033321-005](#) [6426-201-21343](#) [69.920.0553.0](#) [MCR60A-98D-2.54DSA\(70\)](#) [FCN-568P068-G/07-4V](#) [809180410000000](#)
[95622-003LF](#) [AD2-262F-38900-232](#) [DM3AT-SF-PEJM5\(41\)](#) [EN2997S72039F6](#) [N7E50-7516PG-20-WF](#) [IC11S-BUR-PNEJL\(71\)](#) [NX30TA-](#)
[15PAA\(50\)](#) [21920-5](#) [2041353-2](#) [FUA006-3220-0](#) [308-DS1P0811-192](#) [33CFAE-DN](#) [MI21A-50PD-SF-EJR\(91\)](#) [502431-1011](#) [5175651-2](#) [10-](#)
[247926-166](#) [10-629549-258N](#) [11327-001](#) [11327-002](#) [EN2997S02039B8](#) [EN2997S61212BN](#) [EN2997S72039B6](#) [EN2997SE02039B8](#)
[EN2997SE61212BN](#) [EN2997SE72039B6](#) [603020000](#) [617230001](#) [71-252718-32P](#) [NX1-32T-KT3K\(05\)](#) [95622-003LF](#) [91-570124-15P](#)
[192900-0488](#) [N7E50-U516RB-50-SIN0005](#) [DM1AA-SF-PEJ](#) [95079-00CALF](#) [84648-056HLF](#) [68-580163-21S](#) [33DVIR-29S12R](#)
[SF58S006VBBR2000](#) [93-570123-08P](#) [GMC020080HR](#) [125A-78C00](#) [1010040575#](#)