

REV.	ECN Number	Description	Drawn
1	CS22020030	RELEASE	2022.02.22

Specifications

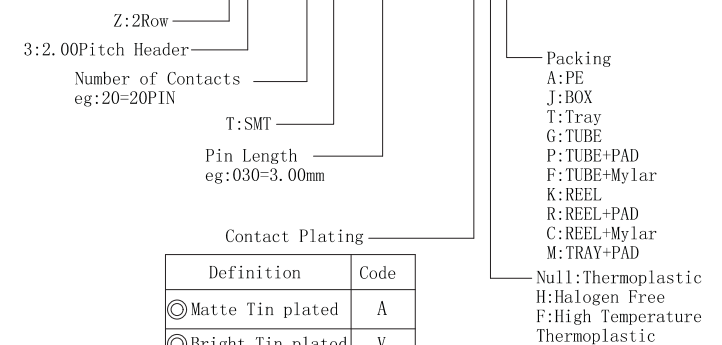
Current Rating: 2Amp
 Insulation Resistance: 1000MΩ Min.
 Dielectric Withstanding: 500V AC/DC
 Contact Resistance: 20mΩ Max.
 Operating Temperature: -40° C to +105° C

Materials

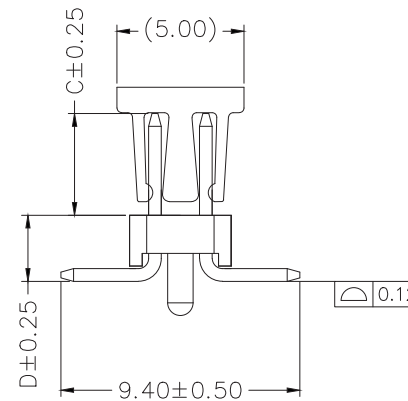
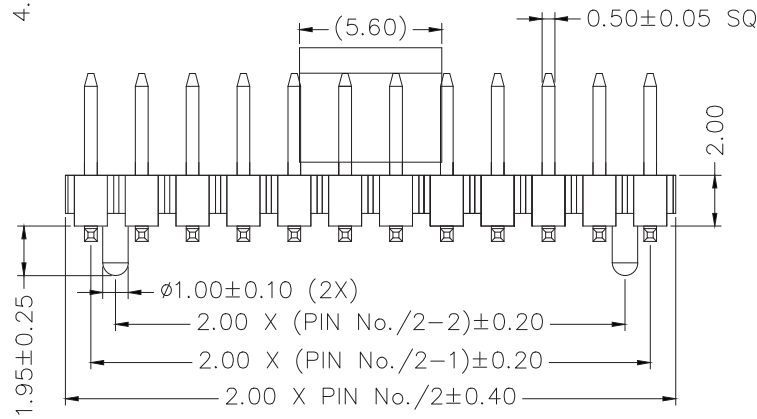
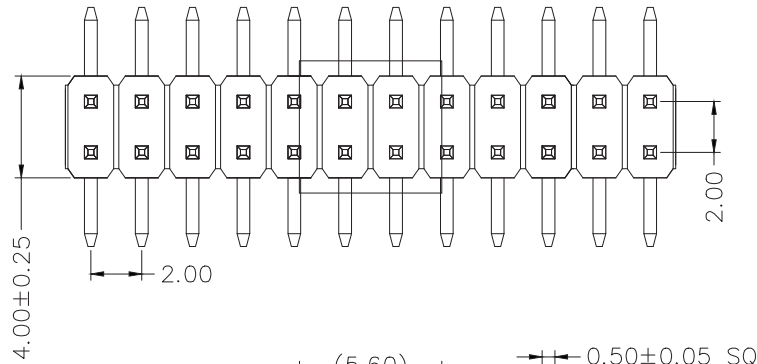
Contact Material: Brass
 Insulation Material: Thermoplastic, UL 94V-0
 All materials should comply with the "RoHS" requirement

Product Number Matrix:

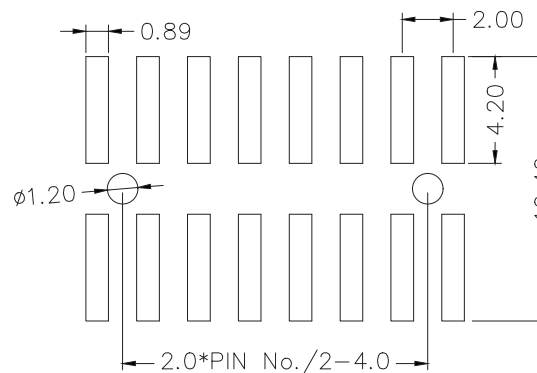
SZ3E-XXT-C/D-2-XXX



Definition	Code
⊙Matte Tin plated	A
⊙Bright Tin plated	V
⊙Gold plated over all	
flash B 1u" R 3u" C	
5u" D 10u" E 15u" F	
20u" G 25u" H 30u" J	
⊙Duplex plated	
flash K 1u" S 3u" L	
5u" M 10u" N 15u" P	
20u" Q 25u" T 30u" U	
⊙ All plated is lead free.	



Recommended P.C.Board
 Layout
 (Tolerance:±0.05mm)



ShenZhen ShenTai weixiang Electronics Co., Ltd.

TOLERANCE UNLESS OTHERWISE SPECIFIED				SCALE	ORIGINAL DRAWN:	DATE	DWG. NO.	TITLE	REV.
X. X	±0.30	X. °	±3°	1:1	Jesse Lu	2022.02.22	461-0000-0177	CUSTOMER DRAWING 2.00PH, HEADER, SMT	1
X. XX	±0.20	X. X°	±2°	UNIT	Wolfe Liu	2022.02.22	PARTS NO. (INTENDED USE)		SHEET
X. XXX		X. XX°	±1°	SIZE	Wolfe Liu	2022.02.22	SZ3E-XXT-C/D-2-XXX		1/1

X-ON Electronics

Largest Supplier of Electrical and Electronic Components

Click to view similar products for [Headers & Wire Housings](#) category:

Click to view products by [STWXE](#) manufacturer:

Other Similar products are found below :

[57102-F02-18ULF](#) [58102-G61-06LF](#) [0009485154](#) [009176003701906](#) [0050291907](#) [00-9021-0611-00-339](#) [02.125.8002.8](#) [609-3404](#) [61062-3](#)
[622-0430](#) [622-3653LF](#) [63453-116](#) [636-1030](#) [636-1427](#) [636-3427](#) [636-4007](#) [641938-9](#) [644827-2](#) [65495-038](#) [65692-001LF](#) [65781-018](#)
[65781-047](#) [65817-010LF](#) [65817-015LF](#) [66207-023LF](#) [67016-026LF](#) [67095-007LF](#) [68631-112](#) [68645-018](#) [68648-049](#) [699319-000](#)
[70.362.1628.0](#) [70-4210](#) [70-4226B](#) [70-4853B](#) [707-5020](#) [707-5028](#) [71.350.2428.0](#) [71961-016LF](#) [733-134](#) [754199-000](#) [760-3052](#) [787-8014-00](#)
[FCN-367T-T012/H](#) [80.063.4001.1](#) [800-90-001-10-001000](#) [800-90-010-10-002000](#) [801-43-002-10-013000](#) [801-43-006-10-002000](#)
[803-41-018-10-001000](#)