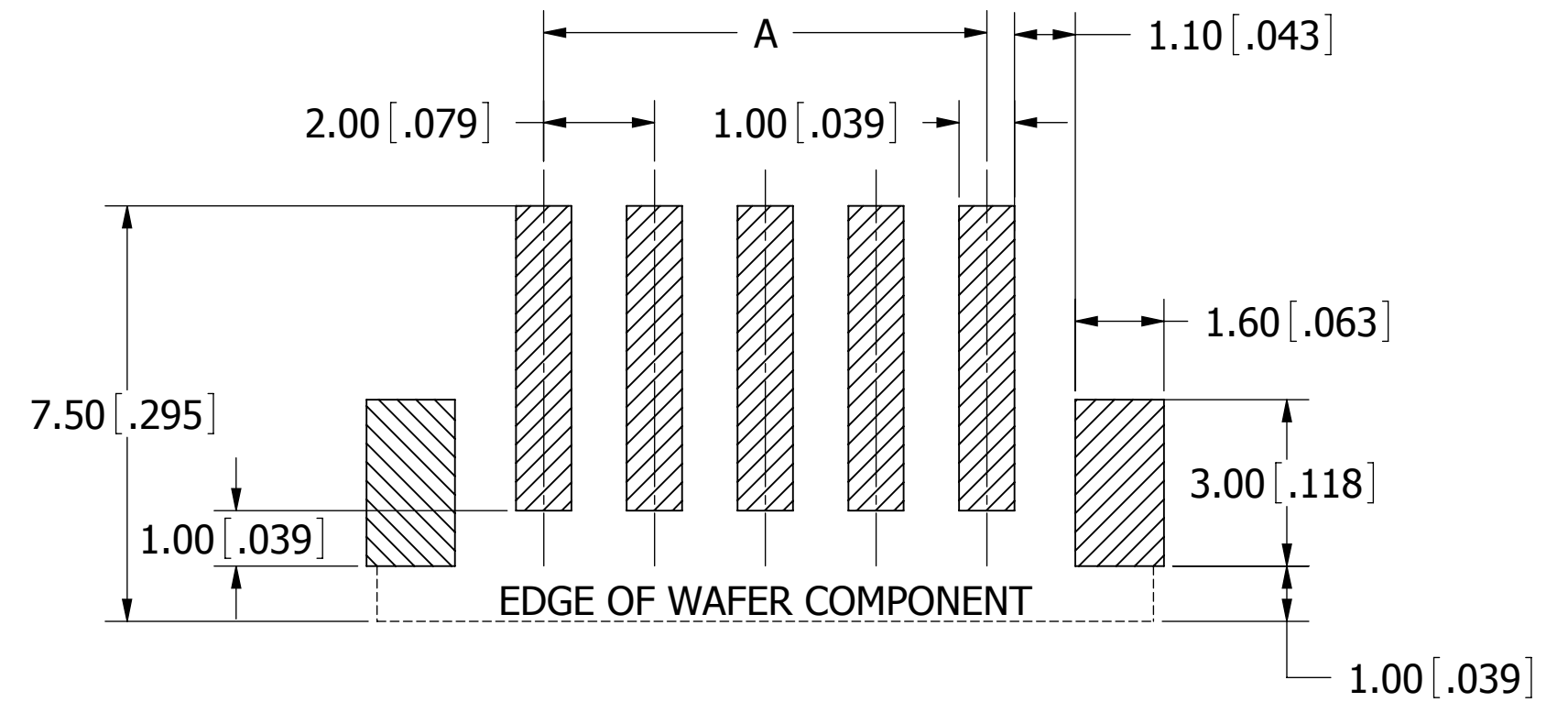
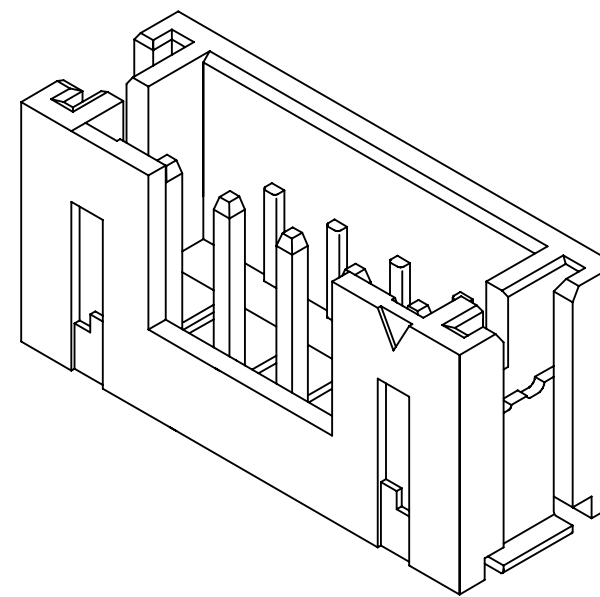
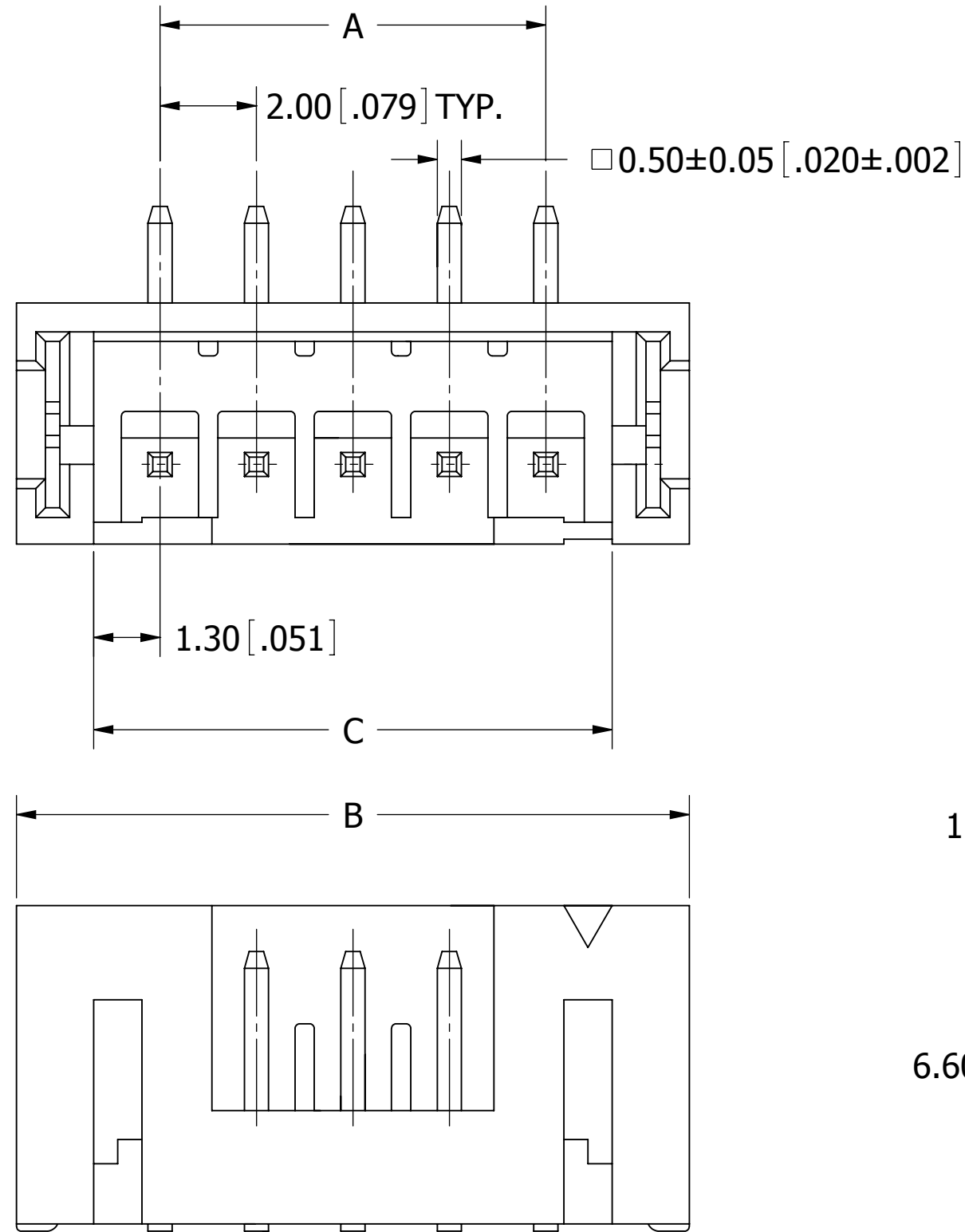


PART NUMBER CODING

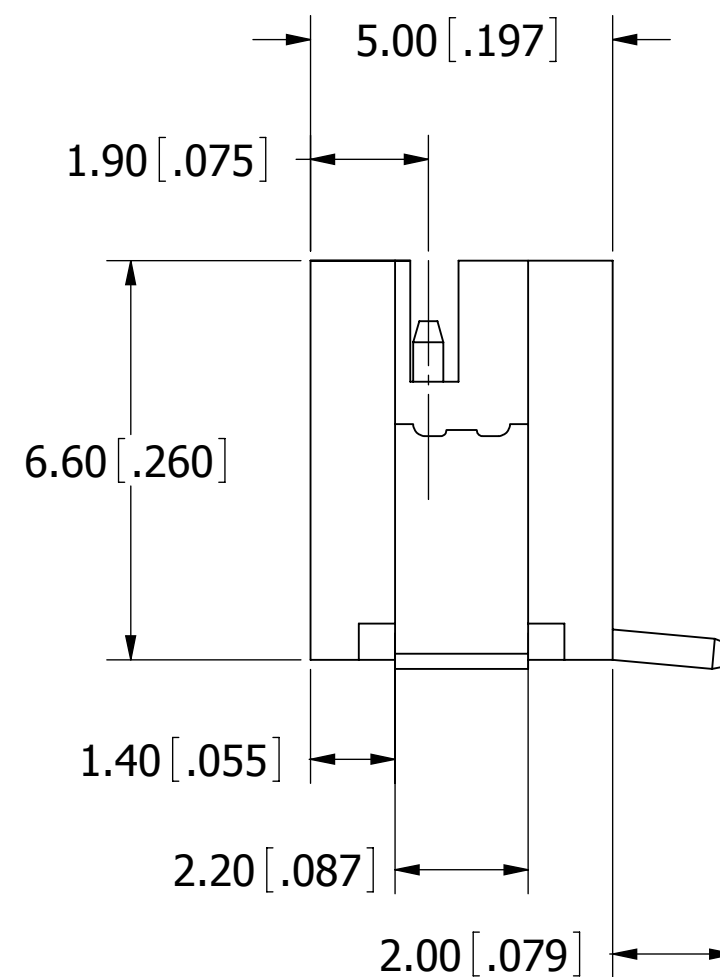
SWR201-NRTN-S__-SM-BG

NUMBER OF POSITIONS
(CONTACTS PER ROW)

REVISIONS				
REV.	ECO. NO	DESCRIPTION	DATE	BY
A	2235	INITIAL RELEASE	05/25/2011	LH

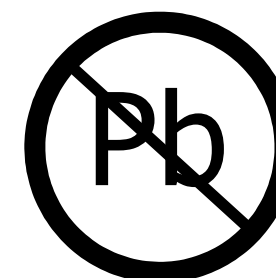


RECOMMENDED PCB LAYOUT



- NOTES:**
- INSULATOR MATERIAL: NYLON 46, UL94V-0, COLOR: BEIGE.
 - CONTACT MATERIAL: BRASS.
 - CONTACT PLATING: .000020" MIN. NICKEL UNDERPLATE, PURE TIN, BRIGHT OVERALL.
 - CURRENT RATING: 1 AMP PER CONTACT.
 - VOLTAGE RATING: 125V AC/DC.
 - INSULATOR RESISTANCE: 1000 MEGOHMS MIN.
 - CONTACT RESISTANCE: 20 MILLIOHMS MAX.
 - DIELECTRIC WITHSTANDING VOLTAGE: 800V AC.
 - OPERATING TEMPERATURE: -25° C TO +85° C.
 - MATES WITH SWH201 SERIES SINGLE ROW HOUSING.

Part Number	Positions/ Contacts	A		B		C	
		MM	INCH	MM	INCH	MM	INCH
SWR201-NRTN-S02-SM-BG	02/02	2.00	0.079	8.00	0.315	4.60	0.181
SWR201-NRTN-S03-SM-BG	03/03	4.00	0.157	10.00	0.394	6.60	0.260
SWR201-NRTN-S04-SM-BG	04/04	6.00	0.236	12.00	0.472	8.60	0.339
SWR201-NRTN-S05-SM-BG	05/05	8.00	0.315	14.00	0.551	10.60	0.417
SWR201-NRTN-S06-SM-BG	06/06	10.00	0.394	16.00	0.630	12.60	0.496
SWR201-NRTN-S07-SM-BG	07/07	12.00	0.472	18.00	0.709	14.60	0.575
SWR201-NRTN-S08-SM-BG	08/08	14.00	0.551	20.00	0.787	16.60	0.654
SWR201-NRTN-S09-SM-BG	09/09	16.00	0.630	22.00	0.866	18.60	0.732
SWR201-NRTN-S10-SM-BG	10/10	18.00	0.709	24.00	0.945	20.60	0.811
SWR201-NRTN-S11-SM-BG	11/11	20.00	0.787	26.00	1.024	22.60	0.890
SWR201-NRTN-S12-SM-BG	12/12	22.00	0.866	28.00	1.102	24.60	0.969
SWR201-NRTN-S13-SM-BG	13/13	24.00	0.945	30.00	1.181	26.60	1.047
SWR201-NRTN-S14-SM-BG	14/14	26.00	1.024	32.00	1.260	28.60	1.126
SWR201-NRTN-S15-SM-BG	15/15	28.00	1.102	34.00	1.339	30.60	1.205
SWR201-NRTN-S16-SM-BG	16/16	30.00	1.181	36.00	1.417	32.60	1.283



RoHS COMPLIANT

UNLESS OTHERWISE SPECIFIED:
 DIMENSIONS ARE IN MM(INCHES)

TOLERANCES: ANGULAR:
 .X= ± 0.3 [.01]
 .XX= ± 0.30 [.012]

INTERPRET DIMENSIONS AND
 TOLERANCING
 PER: ASME Y14.5M-2009

DRAWN	DATE	NAME
	05/25/2011	LH
<small>THE INFORMATION HEREIN CONTAINS PROPRIETARY INFORMATION OF SULLINS ELECTRONICS AND IS NOT TO BE REPRODUCED, USED OR DISCLOSED TO OTHERS FOR ANY PURPOSE EXCEPT AS SPECIFICALLY AUTHORIZED IN WRITING BY AN OFFICER OF SULLINS ELECTRONICS.</small>		



TITLE WAFER 2.0mm[.079"] CC, 1 ROW, SMT			
PART NUMBER SWR201-NRTN-S__-SM-BG			
SIZE C	CAGE CODE 54453	DWG. NO. 11625	REV A
SCALE: 8:1		SHEET 1 OF 1	

X-ON Electronics

Largest Supplier of Electrical and Electronic Components

Click to view similar products for [sullins](#) manufacturer:

Other Similar products are found below :

[PEC36DGAN](#) [PBC36DADN](#) [PBC36DGAN](#) [GEC36SABN-M30](#) [PREC006DFBN-RC](#) [PZC04DBAN](#) [NPPN082AFCN-RC](#) [RBB60DHBS](#)
[PPTC022LFBN-RC](#) [PPTC041LGBN-RC](#) [RCA44DRSD-S888](#) [EBC25DCWN](#) [LPPB031NFFN-RC](#) [GEC36DBAN](#) [EZM25DRXH](#) [SBH11-](#)
[NBPC-D08-SM-BK](#) [NPTC042KFMS-RC](#) [TCC03DKSN-S1713](#) [ECC18DCCN](#) [NPPN081BFCN-RC](#) [FMC05DRTN-S1682](#) [EBC35DCWN](#)
[SBH21-NBPN-D07-SM-BK](#) [WCT001-MCT](#) [NPPN041BFLC-RC](#) [PBC36DFAN](#) [SFH11-PBPC-D20-RA-BK](#) [NRTJ052TKEN-RC](#)
[SPC02SVGN-RC](#) [PBC04DAAN](#) [PBC08DAGN](#) [MPP-1100-05-DS-4GR\(S1402\)](#) [PPTC042LFBN-RC](#) [SWR201-NRTN-S05-SA-WH](#)
[PBC36DBCN](#) [PEC36SAGN](#) [PPPC142LJBN-RC](#) [PEC36DAHN](#) [PBC06DAAN](#) [PEC36DFCN](#) [GRPB121VWVN-RC](#) [PEC36DGBN](#)
[PPTC162LFBN-RC](#) [PEC36DBEN](#) [PBC01DAAN](#) [PBC36SFEN](#) [SBH41-NBPB-D05-SM-BK](#) [PEC36SFEN](#) [PEC07DAAN](#) [AMC02SXNN-](#)
[S328](#)