

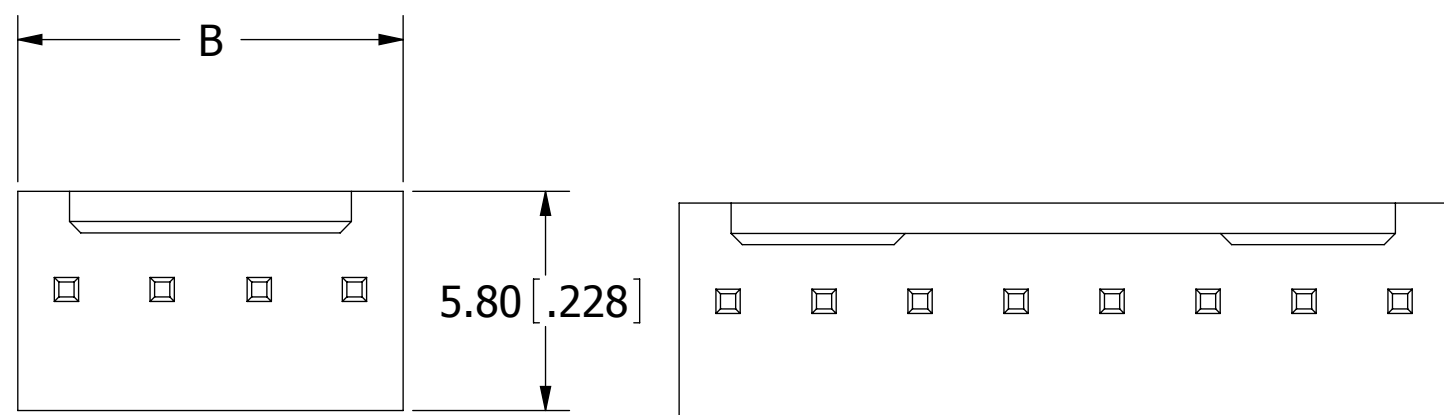
PART NUMBER CODING

SWR25X-NRTC-S__-ST-BA

NUMBER OF POSITIONS

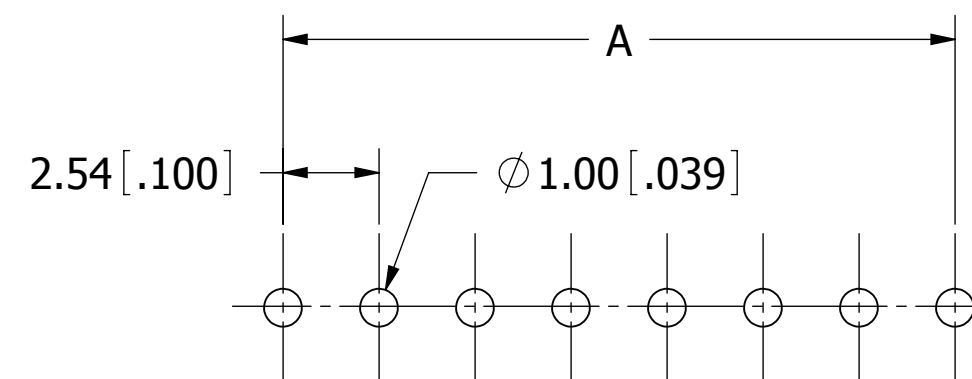
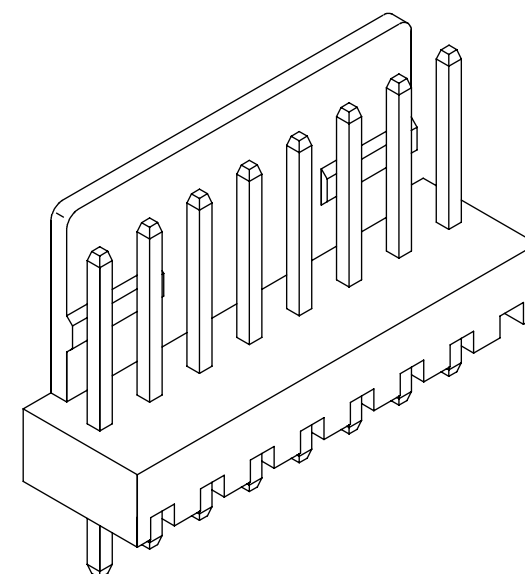
(CONTACTS PER ROW, 02 TO 20)

REVISIONS				
REV.	ECO. NO	DESCRIPTION	DATE	BY
A	2237	INITIAL RELEASE	05/23/2011	LH

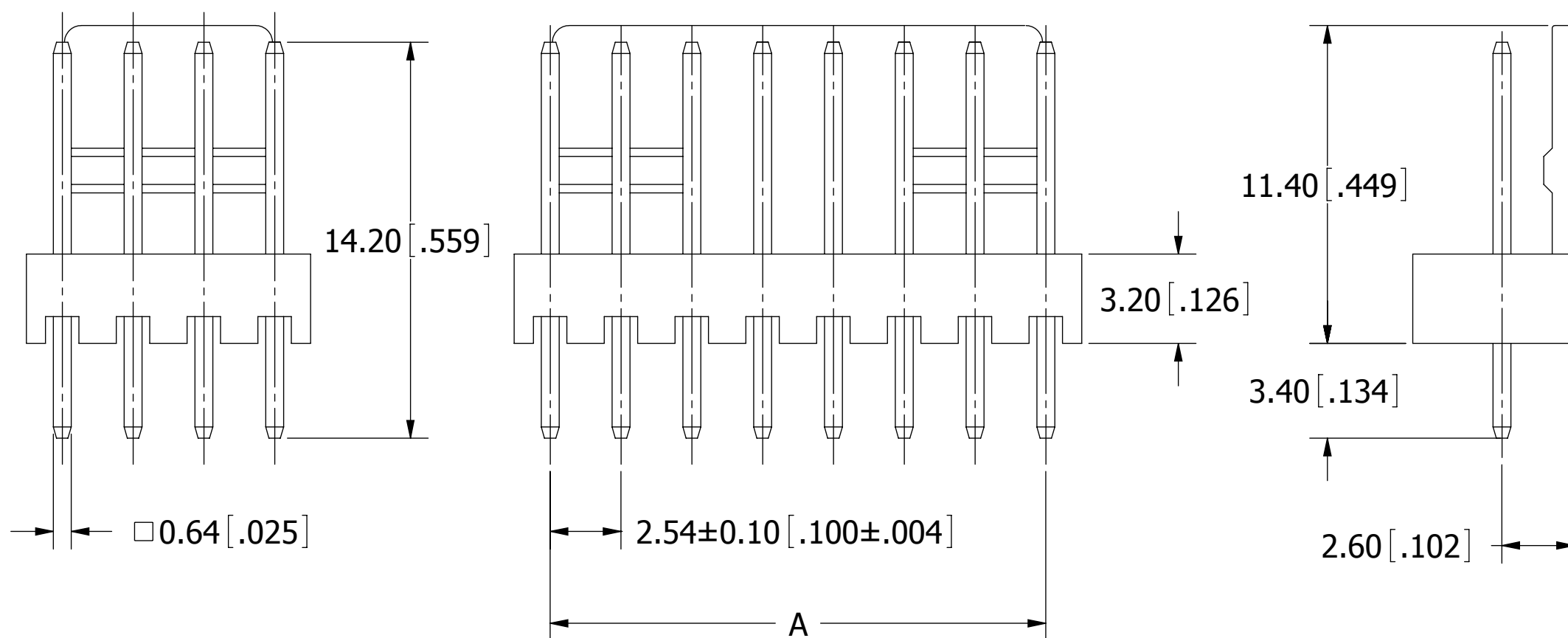


02 - 05 POSITIONS

06 - 20 POSITIONS

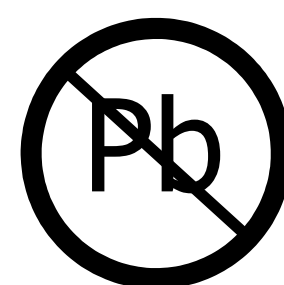


RECOMMENDED PCB LAYOUT



NOTES:

- INSULATOR MATERIAL: NYLON 66, UL94V-2, COLOR: BEIGE.
- CONTACT MATERIAL: BRASS.
- CONTACT PLATING: .000020" MIN. NICKEL UNDERPLATE, PURE TIN, BRIGHT OVERALL.
- CURRENT RATING: 5 AMPS PER CONTACT.
- VOLTAGE RATING: 250V AC/DC.
- INSULATOR RESISTANCE: 1000 MEGOHMS MIN.
- CONTACT RESISTANCE: 20 MILLIOHMS MAX.
- DIELECTRIC WITHSTANDING VOLTAGE: 1000V AC.
- OPERATING TEMPERATURE: -25° C TO +85° C.
- MATES WITH SWH25X SERIES SINGLE ROW HOUSING.



RoHS COMPLIANT

Part Number	Positions/ Contacts	A		B	
		MM	INCH	MM	INCH
SWR25X-NRTC-S02-ST-BA	02/02	2.54	0.100	5.12	0.202
SWR25X-NRTC-S03-ST-BA	03/03	5.08	0.200	7.66	0.302
SWR25X-NRTC-S04-ST-BA	04/04	7.62	0.300	10.20	0.402
SWR25X-NRTC-S05-ST-BA	05/05	10.16	0.400	12.74	0.502
SWR25X-NRTC-S06-ST-BA	06/06	12.70	0.500	15.30	0.602
SWR25X-NRTC-S07-ST-BA	07/07	15.24	0.600	17.94	0.706
SWR25X-NRTC-S08-ST-BA	08/08	17.78	0.700	20.48	0.806
SWR25X-NRTC-S09-ST-BA	09/09	20.32	0.800	23.02	0.906
SWR25X-NRTC-S10-ST-BA	10/10	22.86	0.900	25.58	1.007
SWR25X-NRTC-S11-ST-BA	11/11	25.40	1.000	28.12	1.107
SWR25X-NRTC-S12-ST-BA	12/12	27.94	1.100	30.68	1.208
SWR25X-NRTC-S13-ST-BA	13/13	30.48	1.200	33.10	1.303
SWR25X-NRTC-S14-ST-BA	14/14	33.02	1.300	35.80	1.409
SWR25X-NRTC-S15-ST-BA	15/15	35.56	1.400	38.34	1.509
SWR25X-NRTC-S16-ST-BA	16/16	38.10	1.500	40.94	1.612
SWR25X-NRTC-S17-ST-BA	17/17	40.64	1.600	43.30	1.705
SWR25X-NRTC-S18-ST-BA	18/18	43.18	1.700	45.90	1.807
SWR25X-NRTC-S19-ST-BA	19/19	45.72	1.800	48.56	1.912
SWR25X-NRTC-S20-ST-BA	20/20	48.26	1.900	50.80	2.000

UNLESS OTHERWISE SPECIFIED: DIMENSIONS ARE IN MM[INCHES]	DRAWN	DATE	NAME	
		05/23/2011	LH	
TOLERANCES: ANGULAR: X = ± 0.3 [01] .XX = ± 0.30 [012]	<small>THE INFORMATION HEREIN CONTAINS PROPRIETARY INFORMATION OF SULLINS ELECTRONICS AND IS NOT TO BE REPRODUCED, USED OR DISCLOSED TO OTHERS FOR ANY PURPOSE EXCEPT AS SPECIFICALLY AUTHORIZED IN WRITING BY AN OFFICER OF SULLINS ELECTRONICS.</small>			TITLE
	<small>INTERPRET DIMENSIONS AND TOLERANCING PER: ASME Y14.5M-2009</small>			WAFER 2.54mm[.100"] CC, 1 ROW, ST
PART NUMBER				SWR25X-NRTC-S__-ST-BA
SIZE	CAGE CODE	DWG. NO.	REV	
C	54453	11633	A	
SCALE: 15:1			SHEET 1 OF 1	

X-ON Electronics

Largest Supplier of Electrical and Electronic Components

Click to view similar products for [sullins](#) manufacturer:

Other Similar products are found below :

[PEC36DGAN](#) [PBC36DADN](#) [PBC36DGAN](#) [GEC36SABN-M30](#) [PREC006DFBN-RC](#) [PZC04DBAN](#) [NPPN082AFCN-RC](#) [RBB60DHBS](#)
[PPTC022LFBN-RC](#) [PPTC041LGBN-RC](#) [RCA44DRSD-S888](#) [EBC25DCWN](#) [LPPB031NFFN-RC](#) [GEC36DBAN](#) [EZM25DRXH](#) [SBH11-](#)
[NBPC-D08-SM-BK](#) [NPTC042KFMS-RC](#) [TCC03DKSN-S1713](#) [ECC18DCCN](#) [NPPN081BFCN-RC](#) [FMC05DRTN-S1682](#) [EBC35DCWN](#)
[SBH21-NBPN-D07-SM-BK](#) [WCT001-MCT](#) [NPPN041BFLC-RC](#) [PBC36DFAN](#) [SFH11-PBPC-D20-RA-BK](#) [NRTJ052TKEN-RC](#)
[SPC02SVGN-RC](#) [PBC04DAAN](#) [PBC08DAGN](#) [MPP-1100-05-DS-4GR\(S1402\)](#) [PPTC042LFBN-RC](#) [SWR201-NRTN-S05-SA-WH](#)
[PBC36DBCN](#) [PEC36SAGN](#) [PPPC142LJBN-RC](#) [PEC36DAHN](#) [PBC06DAAN](#) [PEC36DFCN](#) [GRPB121VWVN-RC](#) [PEC36DGBN](#)
[PPTC162LFBN-RC](#) [PEC36DBEN](#) [PBC01DAAN](#) [PBC36SFEN](#) [SBH41-NBPB-D05-SM-BK](#) [PEC36SFEN](#) [PEC07DAAN](#) [AMC02SXNN-](#)
[S328](#)