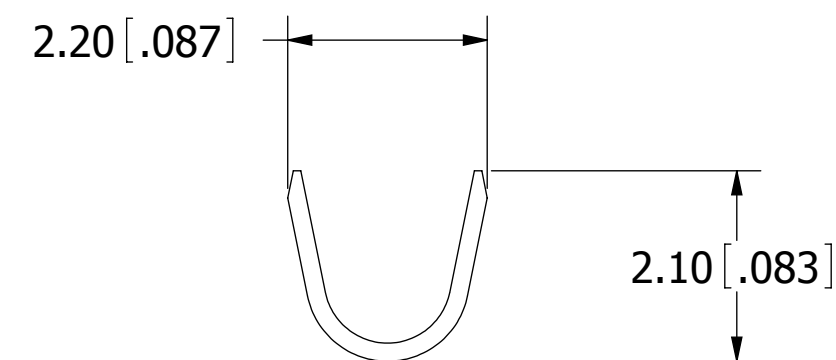
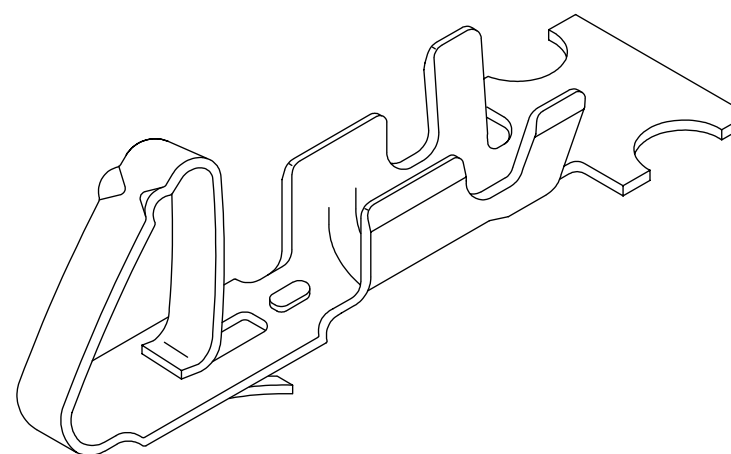
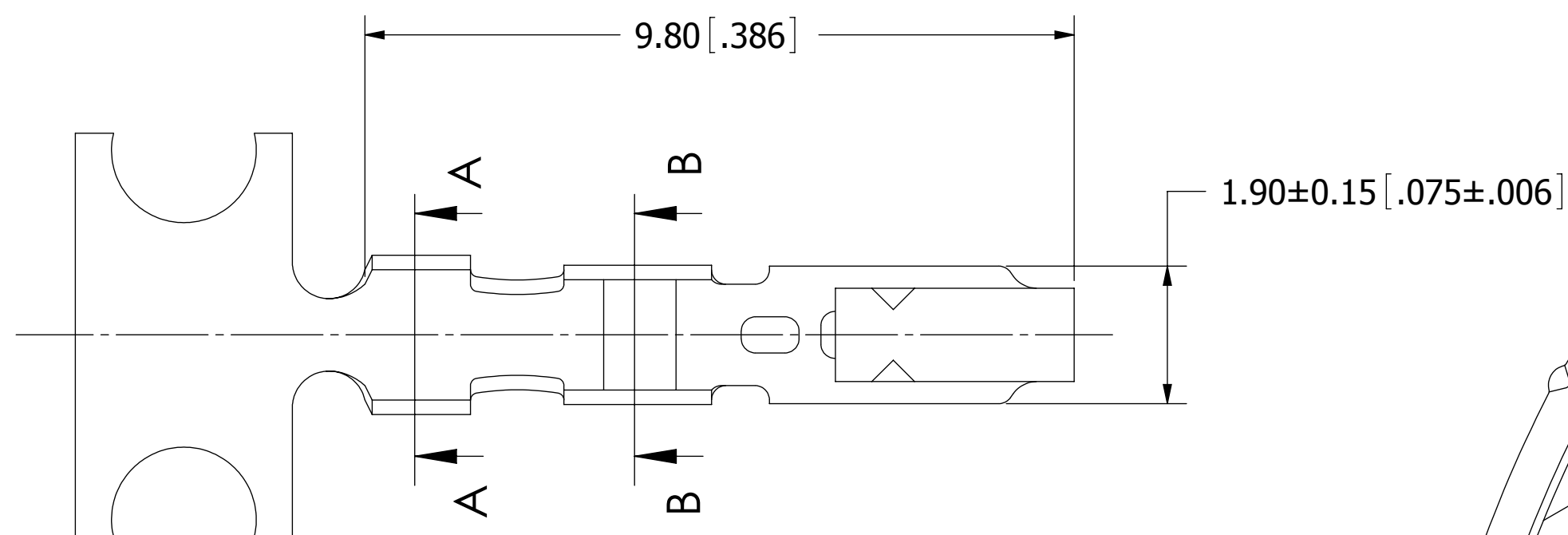


**PART NUMBER CODING**  
**SWT25X-U\_\_C-S01-UU-UU**

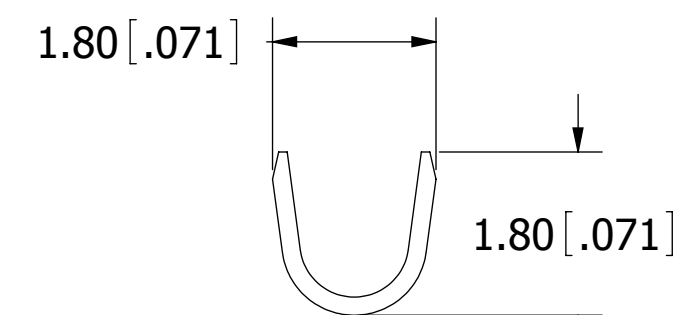
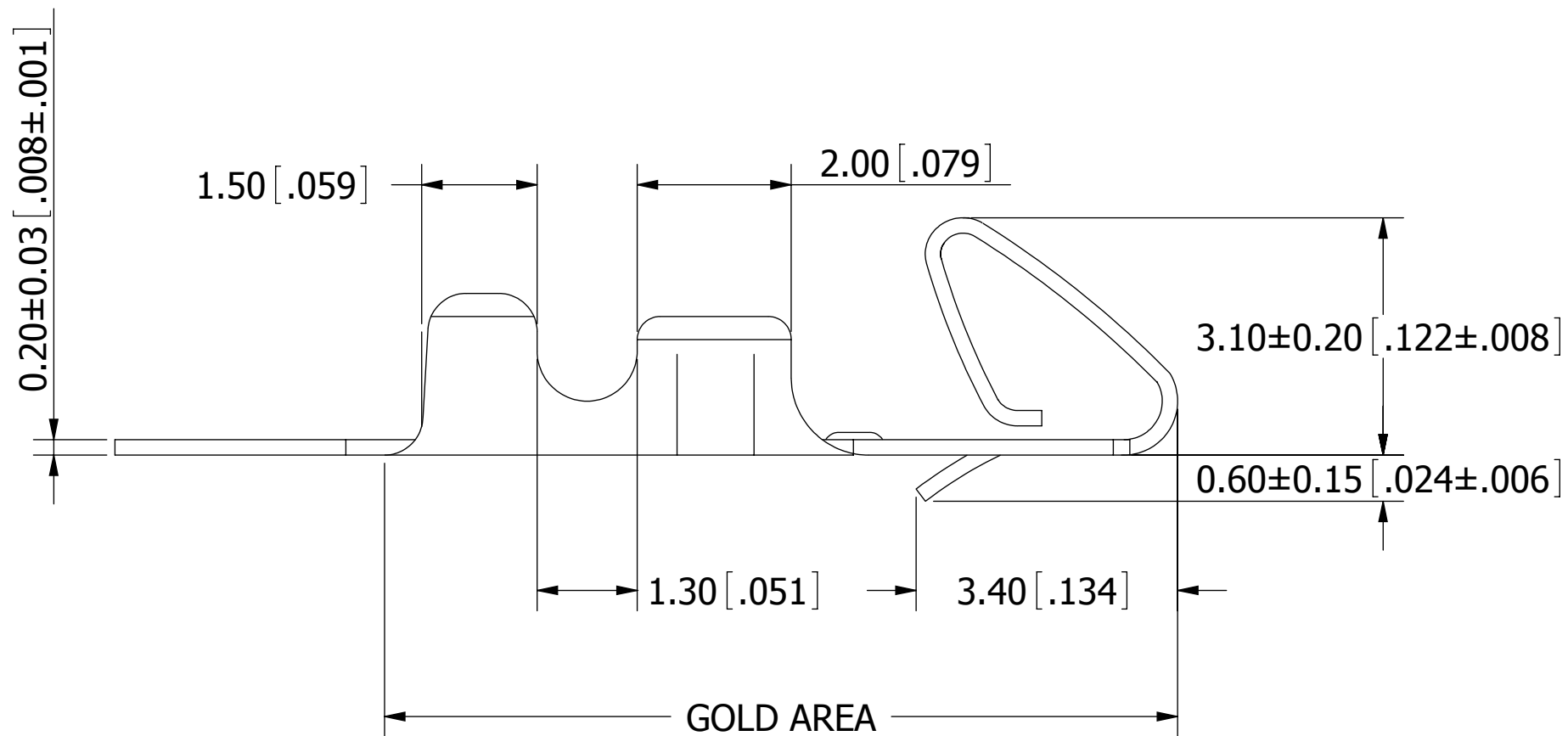
REVISIONS				
REV.	ECO. NO	DESCRIPTION	DATE	BY
A	2237	INITIAL RELEASE	05/24/2011	LH

**MATERIAL & PLATING**

RT = BRASS, .000015" MIN NICKEL UNDERPLATE, .000040" MIN PURE TIN, BRIGHT OVERALL (NOTE 7).  
 PT = PHOSPHOR BRONZE, .000015" MIN NICKEL UNDERPLATE, .000040" MIN PURE TIN, BRIGHT OVERALL (NOTE 7).  
 RP = BRASS, .000040" MIN NICKEL UNDERPLATE, GOLD FLASH OVERALL.



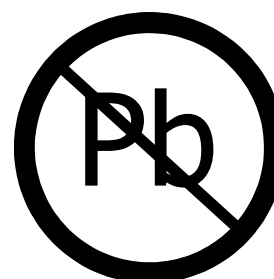
SECTION A-A



SECTION B-B

**NOTES:**

1. MATERIAL: SEE PART NUMBER CODING.
2. PLATING: SEE PART NUMBER CODING.
3. WIRE RANGE: AWG #20 - #26.
4. INSULATION O.D.:  $\phi$  1.35mm ~  $\phi$  1.90mm.
5. QUANTITY PER REEL = 10,000 PIECES.
6. USED IN SWH25X SERIES HOUSING.
7. PLATING BEFORE STAMPING/FORMING.



**RoHS COMPLIANT**

UNLESS OTHERWISE SPECIFIED: DIMENSIONS ARE IN MM[INCHES]	DRAWN	DATE	NAME	
		05/24/2011	LH	
TOLERANCES: ANGULAR: .X= ± 0.3 [.01] .XX= ± 0.30 [.012]	THE INFORMATION HEREIN CONTAINS PROPRIETARY INFORMATION OF SULLINS ELECTRONICS AND IS NOT TO BE REPRODUCED, USED OR DISCLOSED TO OTHERS FOR ANY PURPOSE EXCEPT AS SPECIFICALLY AUTHORIZED IN WRITING BY AN OFFICER OF SULLINS ELECTRONICS.			
	TITLE <b>CRIMP TERMINAL - SWH25X</b>			
INTERPRET DIMENSIONS AND TOLERANCING PER: ASME Y14.5M-2009	PART NUMBER <b>SWT25X-U__C-S01-UU-UU</b>			
	SIZE <b>C</b>	CAGE CODE <b>54453</b>	DWG. NO. <b>11631</b>	REV <b>A</b>
SCALE: 12:1			SHEET 1 OF 1	

## X-ON Electronics

Largest Supplier of Electrical and Electronic Components

*Click to view similar products for [sullins](#) manufacturer:*

Other Similar products are found below :

[PEC36DGAN](#) [PBC36DADN](#) [PBC36DGAN](#) [GEC36SABN-M30](#) [PREC006DFBN-RC](#) [PZC04DBAN](#) [NPPN082AFCN-RC](#) [RBB60DHBS](#)  
[PPTC022LFBN-RC](#) [PPTC041LGBN-RC](#) [RCA44DRSD-S888](#) [EBC25DCWN](#) [LPPB031NFFN-RC](#) [GEC36DBAN](#) [EZM25DRXH](#) [SBH11-](#)  
[NBPC-D08-SM-BK](#) [NPTC042KFMS-RC](#) [TCC03DKSN-S1713](#) [ECC18DCCN](#) [NPPN081BFCN-RC](#) [FMC05DRTN-S1682](#) [EBC35DCWN](#)  
[SBH21-NBPN-D07-SM-BK](#) [WCT001-MCT](#) [NPPN041BFLC-RC](#) [PBC36DFAN](#) [SFH11-PBPC-D20-RA-BK](#) [NRTJ052TKEN-RC](#)  
[SPC02SVGN-RC](#) [PBC04DAAN](#) [PBC08DAGN](#) [MPP-1100-05-DS-4GR\(S1402\)](#) [PPTC042LFBN-RC](#) [SWR201-NRTN-S05-SA-WH](#)  
[PBC36DBCN](#) [PEC36SAGN](#) [PPPC142LJBN-RC](#) [PEC36DAHN](#) [PBC06DAAN](#) [PEC36DFCN](#) [GRPB121VWVN-RC](#) [PEC36DGBN](#)  
[PPTC162LFBN-RC](#) [PEC36DBEN](#) [PBC01DAAN](#) [PBC36SFEN](#) [SBH41-NBPB-D05-SM-BK](#) [PEC36SFEN](#) [PEC07DAAN](#) [AMC02SXNN-](#)  
[S328](#)