



# Flyback Transformer for LT8316

**PQ2620** (11328-T060 /11328-T061 /11328-T073 /11328-T074 /11328-T078 /11328-T080 /11328-T086)

**RM6B** (15364-T008)

**CEEH178** (11338-T195)

**CEFD2010** (00399-T239)

## Descriptions

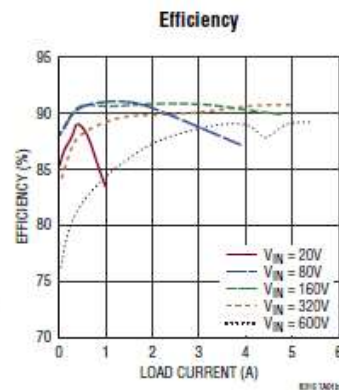
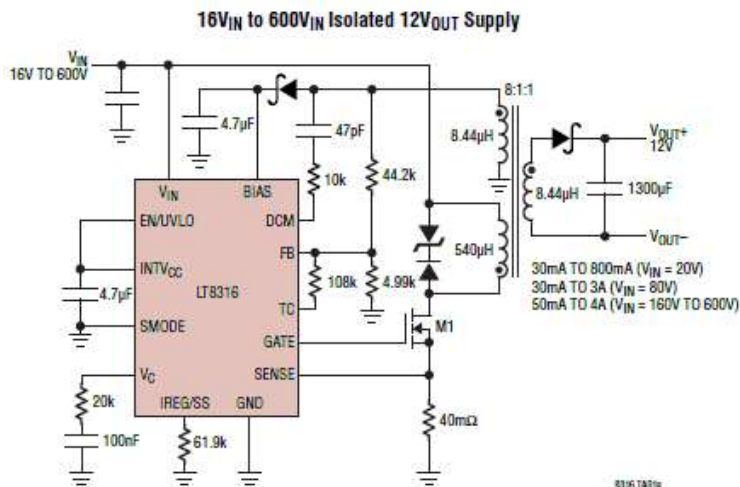
- Transformer associates LT8316 reference design which is a 600VIN Micropower No-Opto Isolated Flyback Controller
- Environmental RoHS compliant without exemption, REACH compliance
- PQ2620: size 31 x 28.5 x 23.5 (H) mm max. PIN type
- RM6B: size: 20 x 19 x 16 (H) mm max. PIN type
- CEEH178: size 19±0.5 x 17.4±0.6 x 8.6±0.5 (H) mm SMD type
- CEFD2010: size 21 x 21.5 x 11.8 mm max. SMD type
- Terminal platings: Matte Tin and thickness ≥ 8µm
- Moisture Sensitivity Level (MSL) 1
- Unlimited floor life at < 30°C /85% relative humidity
- Operating temperature range: -40°C to 125°C (ambient + Temp rise)
- Storage temperature range: -40°C to 125°C
- Recommended reflow condition as max temperature 245°C withstand no longer than 40 seconds



## Applications

- Isolated Telecom, Automotive, Industrial, Medical Power Supplies
- Isolated Off-Line Housekeeping Power Supplies
- Electric Vehicles and Battery Stacks
- Multioutput Isolated Power Supplies for Inverter Gate Drives

## Typical Application



Note: This specification is subject to change without notice. Please contact your nearest sales office for updated information when placing an order.



# Flyback Transformer for LT8316

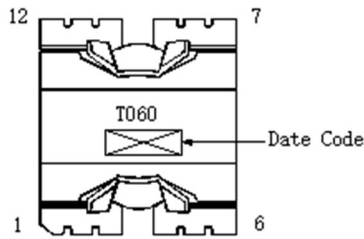
**PQ2620** (11328-T060 /11328-T061 /11328-T073 /11328-T074 /11328-T078 /11328-T080 /11328-T086)

**RM6B** (15364-T008)

**CEEH178** (11338-T195)

**CEFD2010** (00399-T239)

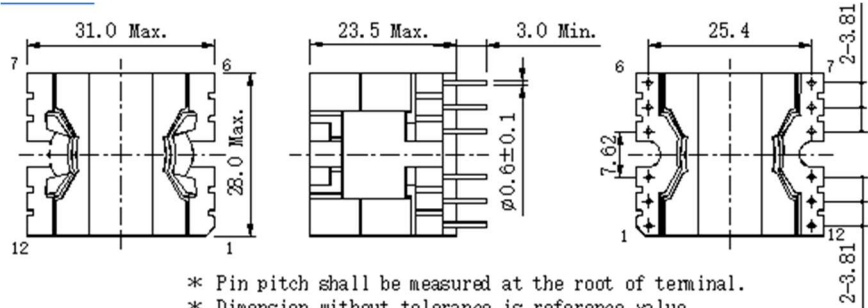
## PQ2620



Stamp and Top View

Stamp with last 4 digits of PN

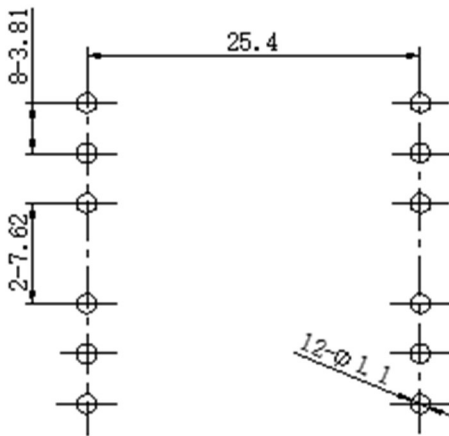
Such as T060 or T078, T080...



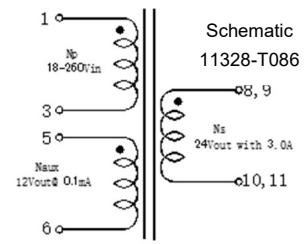
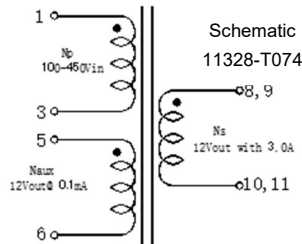
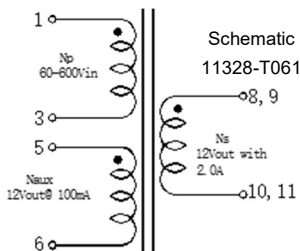
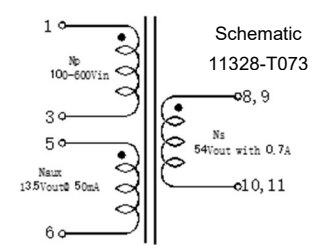
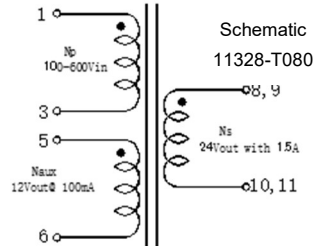
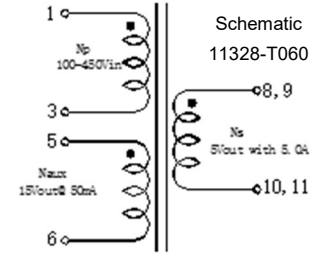
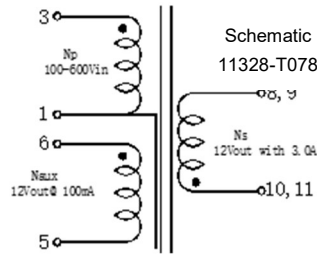
\* Pin pitch shall be measured at the root of terminal.  
\* Dimension without tolerance is reference value.

Dimension - [mm]

All "●" Indicates the same polarity



Land Pattern - [mm]



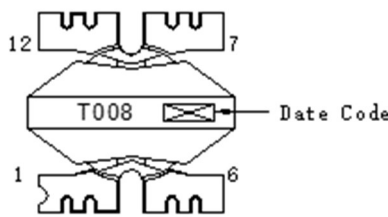
Note: This specification is subject to change without notice. Please contact your nearest sales office for updated information when placing an order.

# Flyback Transformer for LT8316

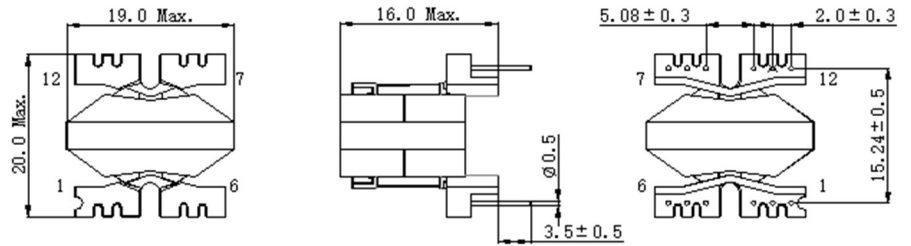


**PQ2620** (11328-T060 /11328-T061 /11328-T073 /11328-T074 /11328-T078 /11328-T080 /11328-T086)  
**RM6B** (15364-T008)  
**CEEH178** (11338-T195)  
**CEFD2010** (00399-T239)

## RM6B

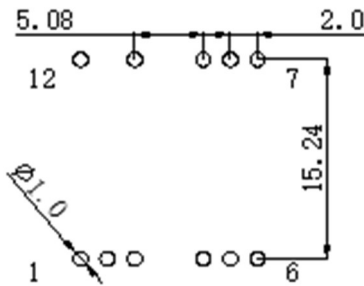


Stamp and Top View of 15364-T008

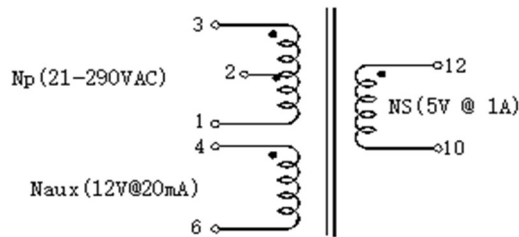


- \* The dimension of terminals don't include the solder icicle.
- \* Dimension without tolerance is reference value.
- \* "x" indicates no terminal.
- \* Pin pitch shall be measured at the root of terminal.

Dimension - [mm]

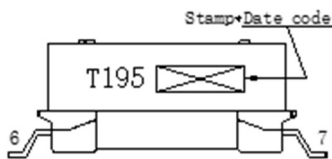


Land Pattern - [mm]

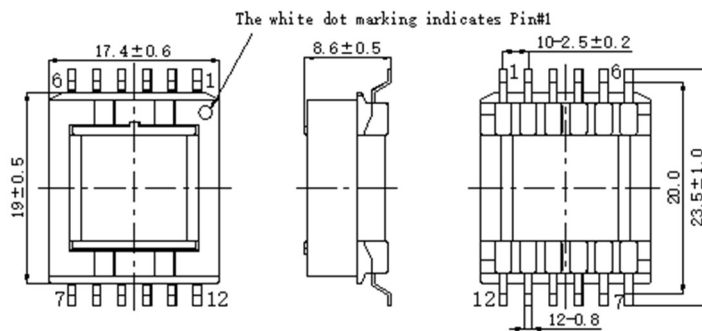


Schematic 15364-T008 -- All "●" Indicates the same polarity

## CEEH178



Stamp and Side View of 11338-195



- \* The dimension of terminals don't include the solder icicle.
- \* Dimension without tolerance is reference value.
- \* Terminals coplanarity:



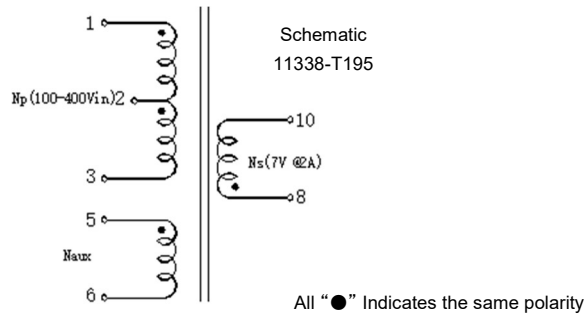
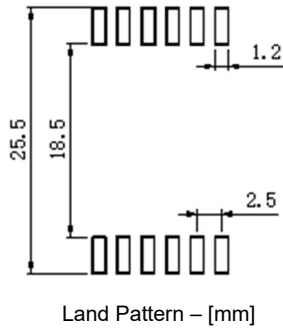
Dimension - [mm]

Note: This specification is subject to change without notice. Please contact your nearest sales office for updated information when placing an order.

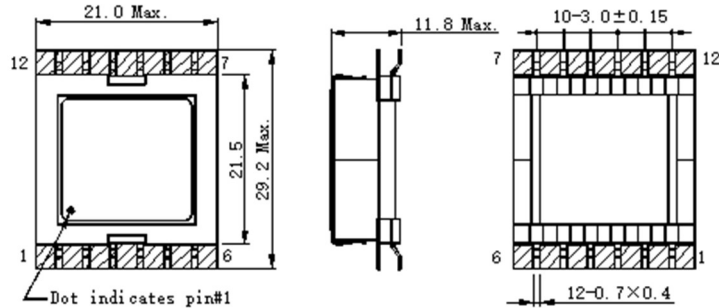
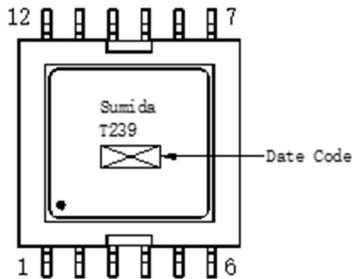
# Flyback Transformer for LT8316



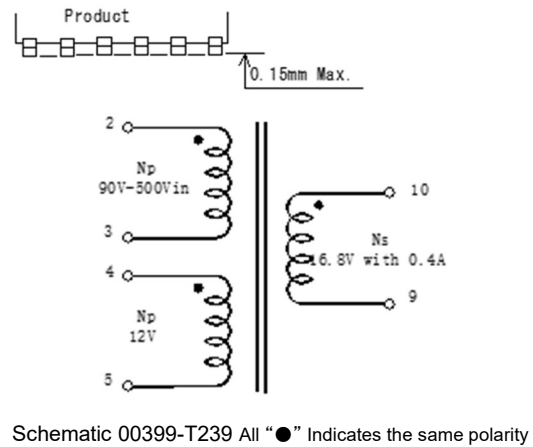
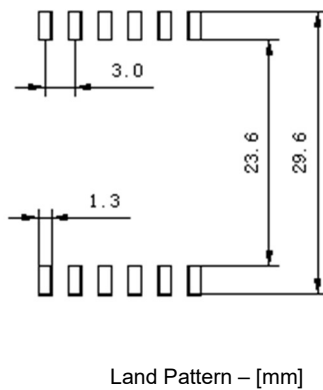
**PQ2620** (11328-T060 /11328-T061 /11328-T073 /11328-T074 /11328-T078 /11328-T080 /11328-T086)  
**RM6B** (15364-T008)  
**CEEH178** (11338-T195)  
**CEFD2010** (00399-T239)



## CEFD2010



- \* The dimension of terminals don't include the solder icicle.
- \* Dimension without tolerance is reference value.
- \* Terminals coplanarity:



Note: This specification is subject to change without notice. Please contact your nearest sales office for updated information when placing an order.

# Flyback Transformer for LT8316



**PQ2620** (11328-T060 /11328-T061 /11328-T073 /11328-T074 /11328-T078 /11328-T080 /11328-T086)

**RM6B** (15364-T008)

**CEEH178** (11338-T195)

**CEFD2010** (00399-T239)

## Electrical Characteristics (at 25°C unless otherwise specified)

Core Type	Sumida PN	Primary Lpri (μH)			Leakage Inductance (μH)			DCR (mΩ)			
		PIN	Spec (μH)	Measuring Conditions	PIN	Spec (μH)	Measuring Conditions	PIN	Spec (mΩ)	Measuring Conditions	
PQ2620	11328-T078	(3-1)	670 ±10% within	100kHz /1V	(3-1)	8.0 max (4.0 Typ)	100kHz /1V Tie (5+6+8+9+10+11)	(1-3)	470 Max/380 Typ		
								(8,9 - 10,11)	11 Max/9 Typ	Tie (8+9 , 10+11)	
								(5-6)	150 Max/125 Typ		
	11328-T080	(1-3)	670 ±10% within	100kHz /0.1V	(1-3)	6.0 max (3.0 Typ)	100kHz /0.1V Tie (5+6+8+9+10+11)	(1-3)	470 Max/380 Typ		
								(8,9 - 10,11)	62.5 Max/50 Typ	Tie (8+9 , 10+11)	
								(5-6)	156 Max /120 Typ		
	11328-T073	(1-3)	670 ±10% within	100kHz /0.1V	(1-3)	7.0 max (3.5 Typ)	100kHz /0.1V Tie (5+6+8+9+10+11)	(1-3)	675 Max/585 Typ	Tie (2+3 , 4+5)	
								(8,9 - 10,11)	186 Max/155 Typ	Tie (8+9 , 10+11)	
								(5-6)	225 Max/195 Typ		
	11328-T060	(1-3)	800 ±10% within	100kHz /1V	(1-3)	10 max (4.8 Typ)	100kHz /1V Tie (5+6+8+9+10+11)	(1-3)	660 Max/550 Typ		
								(8,9 - 10,11)	10 Max/8 Typ	Tie (8+9 , 10+11)	
								(5-6)	530 Max/440 Typ		
	11328-T061	(1-3)	600 ±10% within	100kHz /0.1V	(1-3)	5.2 max (3.4 Typ)	100kHz /0.1V Tie (5+6+8+9+10+11)	(1-3)	265 Max/220 Typ		
								(8,9 - 10,11)	53 Max/43 Typ	Tie (8+9 , 10+11)	
								(5-6)	140 Max/115 Typ		
	11328-T074	(1-3)	500 ±10% within	100kHz /0.1V	(1-3)	7.0 max (3.5 Typ)	100kHz /0.1V Tie (5+6+8+9+10+11)	(1-3)	114 Max/95 Typ		
								(8,9 - 10,11)	12.5 Max/9.0 Typ	Tie (8+9 , 10+11)	
								(5-6)	200 Max/160 Typ		
	11328-T086	(1-3)	70 ±10% within	100kHz /0.1V	(1-3)	3.0 max (1.5 Typ)	100kHz /0.1V Tie (5+6+8+9+10+11)	(1-3)	96 Max/80 Typ	Tie (2+3 , 4+5)	
								(8,9 - 10,11)	20 Max/16 Typ	Tie (8+9 , 10+11)	
								(5-6)	240 Max/200 Typ		
	RM6B	15364-T008	(1-3)	1500 ±10% within	10kHz /0.1V	(1-3)	68 max (34 Typ)	100kHz /0.1V Tie (4+6+10+12)	(1-3)	4600 Max/3800 Typ	
									(12 - 10)	43 Max/36 Typ	
									(4 - 6)	600 Max/500 Typ	
CEEH178	11338-T195	(1-3)	1000 ±10% within	100kHz /1V	(1-3)	34 max (17 Typ)	100kHz /1V Tie (5+6+8+10)	(1-3)	3000 Max/2500 Typ		
								(8 - 10)	60 Max/51 Typ		
								(5 - 6)	420 Max/350 Typ		
CEFD2010	00399-T239	(2-3)	2800 ±10% within	100kHz /1V at 25°C	(2-3)	26 max (13 Typ)	100kHz /1V at 25°C Tie (4+5+9+10)	(2-3)	5760 Max/4600 Typ	at 25°C	
								(9 - 10)	195 Max/165 Typ	at 25°C	
								(4 - 5)	1560 Max/1300 Typ	at 25°C	

Note: This specification is subject to change without notice. Please contact your nearest sales office for updated information when placing an order.



# Flyback Transformer for LT8316

**PQ2620** (11328-T060 /11328-T061 /11328-T073 /11328-T074 /11328-T078 /11328-T080 /11328-T086)

**RM6B** (15364-T008)

**CEEH178** (11338-T195)

**CEFD2010** (00399-T239)

Continue...

Core Type	Sumida PN	Turns Ratio	Rate Current	Withstanding Voltage (V)			Isolation	Target Application	Stamping
				PIN	Spec	Measuring Conditions			
PQ2620	11328-T078	Np : Ns :Naux 8 : 1 : 1	3.0ADC (3-1)	Coil-Core	AC 1000Vrms, 1S	1.0mA 50/60Hz	Reinforced	100V-600V to 12V/3A DC2817A	T078
				Np,Naux - Ns	AC 3000Vrms, 1S				
	11328-T080	Np : Ns :Naux 4 : 1 : 0.5	2.0ADC (1-3)	Coil-Core	AC 1000Vrms, 1S	1.0mA 50/60Hz	Reinforced	100V-600V to 24V/1.5A	T080
				Np,Naux - Ns	AC 3000Vrms, 1S				
	11328-T073	Np : Ns :Naux 2 : 1 : 0.25	1.9ADC (1-3)	Coil-Core	AC 1000Vrms, 1S	1.0mA 50/60Hz	Reinforced	100V-600V to 54V/0.7A	T073
				Np,Naux - Ns	AC 3000Vrms, 1S				
	11328-T060	Np : Ns :Naux 18 : 1 : 3	1.7ADC (1-3)	Coil-Core	AC 1000Vrms, 1S	1.0mA 50/60Hz	Reinforced	140V-450V to 5V/7A DC2593A	T060
				Np,Naux - Ns	AC 3000Vrms, 1S				
11328-T061	Np : Ns :Naux 5 : 1 : 1	2.5ADC (1-3)	Coil-Core	AC 1000Vrms, 1S	1.0mA 50/60Hz	Basic	200V-450V to 15V/2A	T061	
			Np,Naux - Ns	AC 3000Vrms, 1S					
11328-T074	Np : Ns :Naux 8 : 1 : 1	2.0ADC (1-3)	Coil-Core	AC 1000Vrms, 1S	1.0mA 50/60Hz	Reinforced	100V-450V to 12V/3A	T074	
			Np,Naux - Ns	AC 3000Vrms, 1S					
11328-T086	Np : Ns :Naux 4 : 1 : 1.5	8.5ADC (1-3)	Coil-Core	AC 1000Vrms, 1S	1.0mA 50/60Hz	Reinforced	30V-260V to 24V/3A	T086	
			Np,Naux - Ns	AC 3000Vrms, 1S					
RM6B	15364-T008	Np : Ns :Naux 20 : 1 : 2.4	0.75ADC (1-3)	Coil-Core	AC 1000Vrms, 1S	1.0mA 50/60Hz	Reinforced	25V-450V to 5V/1A	T008
				Np,Naux - Ns	AC 3000Vrms, 1S				
CEEH178	11338-T195	Np : Ns :Naux 14 : 1 : 1.7	0.9ADC (1-3)	Coil-Core	AC 1500Vrms, 2S	1.0mA 50/60Hz	Basic	100V-400V to 7V/2A	T195
				Np,Naux - Ns	AC 3000Vrms, 2S				
CEFD2010	00399-T239	Np : Ns :Naux 6 : 1 : 0.7	0.39ADC (2-3)	Coil-Core	AC 500Vrms, 1S	1.0mA 50/60Hz	Reinforced	90V-500V to 16.8V/0.4A	T239
				Np,Naux - Ns	AC 2500Vrms, 1S				

Note: This specification is subject to change without notice. Please contact your nearest sales office for updated information when placing an order.





# Flyback Transformer for LT8316

**PQ2620** (11328-T060 /11328-T061 /11328-T073 /11328-T074 /11328-T078 /11328-T080 /11328-T086)

**RM6B** (15364-T008)

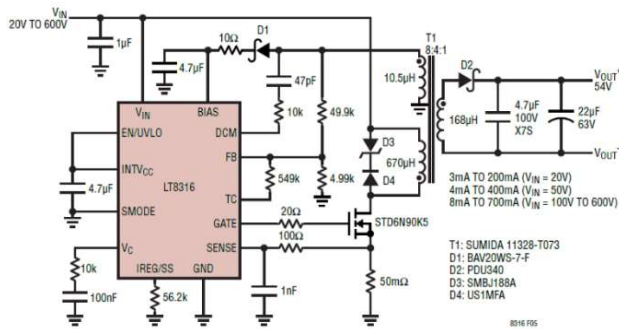
**CEEH178** (11338-T195)

**CEFD2010** (00399-T239)

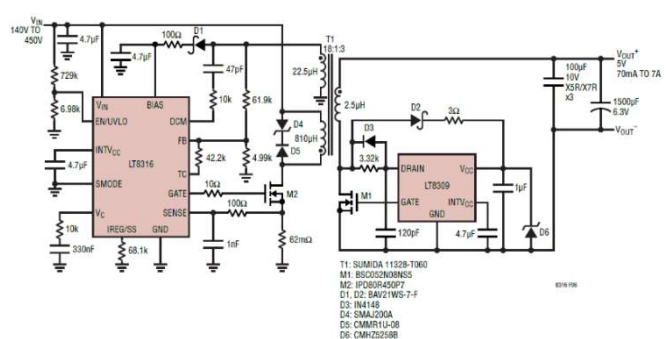
## Typical Application Circuits

The LT®8316 is a micropower, high voltage flyback controller. No opto-isolator is needed for regulation. The device samples the output voltage from the isolated flyback waveform appearing across a third winding on the transformer. Quasi-resonant boundary mode operation improves load regulation, reduces transformer size, and maintains high efficiency.

94% Efficient Isolated 54V supply



91% Efficient Isolated 5V/7A Synchronous Flyback Converter



## **X-ON Electronics**

Largest Supplier of Electrical and Electronic Components

*Click to view similar products for [Power Transformers](#) category:*

*Click to view products by [Sumida](#) manufacturer:*

Other Similar products are found below :

[ET-030A](#) [F-102X](#) [F-120X](#) [F-14X-1](#) [F-181U](#) [F-18A](#) [F-199U](#) [F-19X](#) [F-202U](#) [F-204U](#) [F-206U](#) [F-227X](#) [F-238U](#) [F-239U-1](#) [F-23U](#) [F24-250-B](#)  
[F-242U](#) [F-245U](#) [F-264U](#) [F-265U](#) [F-267U](#) [F-281U](#) [F-283U](#) [F-290X](#) [F-295Z](#) [F-296Z](#) [F-298Z](#) [F-3143P](#) [F-3298Z](#) [F-33U](#) [F-346X](#) [F-35U](#) [F-](#)  
[364U](#) [F-392A](#) [F-395X](#) [F-397U](#) [F-412X](#) [F-47U](#) [F-55X-1](#) [F-60U](#) [F-68U](#) [F-71U](#) [F-72Z](#) [F-74U](#) [F-83A](#) [F-84AC](#) [F-85U](#) [F-86U](#) [F-9U](#) [PCT-02](#)