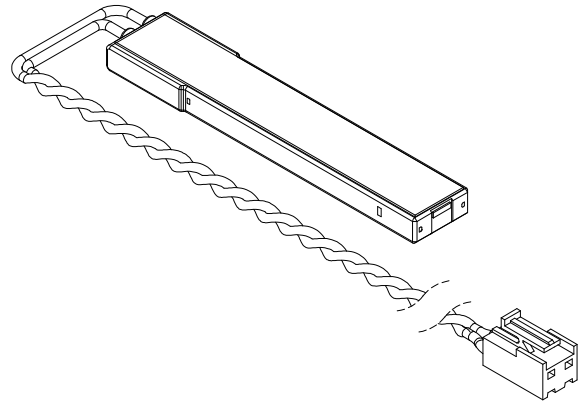
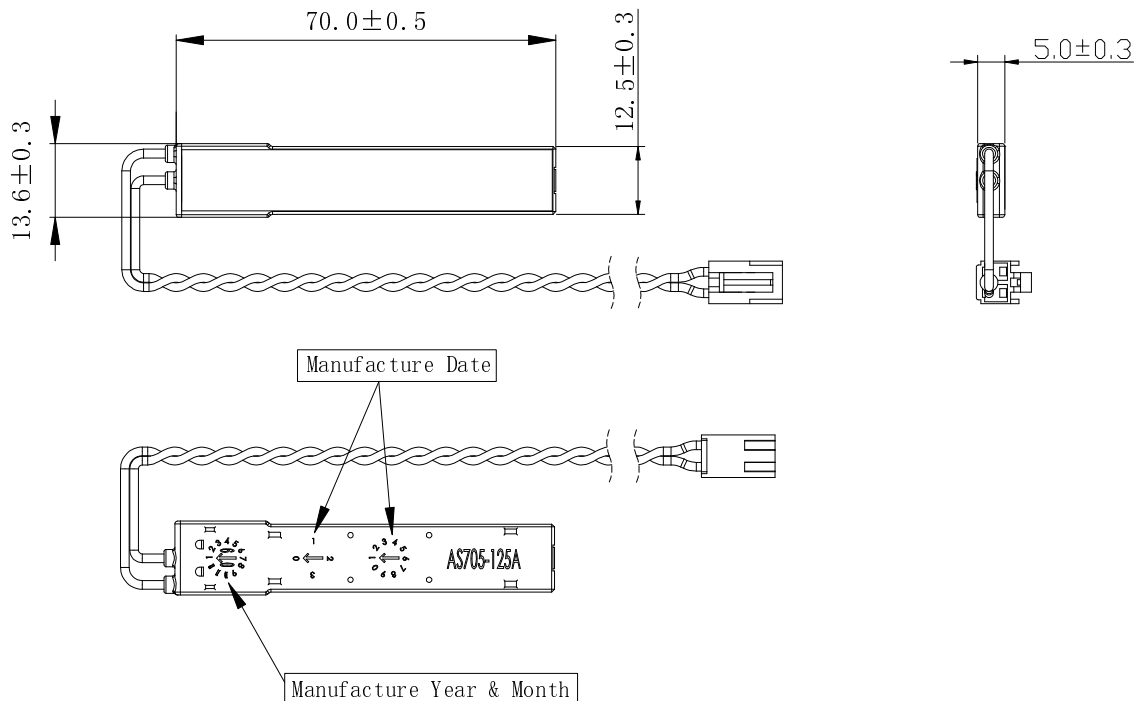


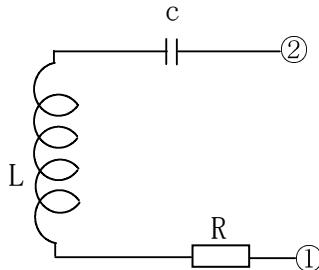
Type: AS705A
◆ Product Description

- * 70.5× 13.9mm Max(L×W),5.3mm Max. Height.
- * Operating Temperature: -40°C ~ +85°C.

◆ Feature

- * LF Transmitter antenna.
- * Small size installation space can be saved.
- * Match for TI & NXP IC, resonant frequency be pre-set to 125kHz,134kHz or customization.
- * Meeting protection against water degree IPX4K of ISO20653 by adding water-proof part.
- * Ideally used in keyless smart entry system.
- * Over molding, with/ without harness and connector.
- * RoHS Compliance.


◆ Mechanical dimensions (unit: mm)


Type: AS705A
◆ Schematic diagram


L: Ferrite core coil inductance.

C: Tuning internal capacitor.

R: Copper resistance.

◆ Electrical Characteristics

Part number	Tuning capacitance	Load Q	Resonant frequency	Resonant current	Load resistance
AS705 -125A	332	60.1	125.0 ± 1.5kHz	1.2App	4.7 Ω
AS705-125B	472	52.1	125.0 ± 1.5kHz	2.5App	2.2 Ω
AS705-125C	682	41.7	125.0 ± 1.5kHz	2.8App	2.2 Ω
AS705-125D	822	30.5	125.0 ± 1.5kHz	2.4App	3.3 Ω
AS705-125E	103	26.3	125.0 ± 1.5kHz	2.6App	3.3 Ω
AS705 -134A	332	65.2	134.2 ± 1.5kHz	1.2App	4.7 Ω
AS705-134B	472	63.8	134.2 ± 1.5kHz	2.5App	2.2 Ω
AS705-134C	682	36.3	134.2 ± 1.5kHz	2.9App	2.2 Ω
AS705-134D	822	30.5	134.2 ± 1.5kHz	2.5App	3.3 Ω
AS705-134E	103	25.8	134.2 ± 1.5kHz	2.6App	3.3 Ω
AS705-20K	334	3.26	20 ± 1.5kHz	2.2App	3.3 Ω

* It is possible for customer specification at harness length and connector form.

* It is possible for other frequency.

◆ Packaging specification

* Using plastic tray packaging.

* Outside carton dimension: 500mm X 300mm X 175mm.

* Packaging Q'ty: 120pcs/carton.

X-ON Electronics

Largest Supplier of Electrical and Electronic Components

Click to view similar products for [sumida](#) manufacturer:

Other Similar products are found below :

[RCH108NP-100M](#) [RCH895NP-181K](#) [W3B2S-40/13-BLK-S](#) [CDRH127NP-680MC](#) [RCH895NP-471K](#) [CDRH6D38NP-7R4NC](#)
[CDRH104RT125NP-2R2PC](#) [R10-1-3/4-BLK-S](#) [ESMIT-4180/A](#) [CDRH8D43NP-330NC](#) [B2-1-BLK-S](#) [B2-3/64-BLK-S](#) [CDRH4D22HPNP-6R3NC](#) [RCR875DNP-100L](#) [RCH110NP-471K](#) [CDRH105RNP-150NC](#) [CMD4D13NP-680MC](#) [RCP1317NP-151L](#) [A2-1/4-CLR-S](#)
[RCR875DNP-222K](#) [H-ML-2](#) [A2-1/16-CLR-S](#) [CDEP85NP-R45MC-50](#) [CDRH103RNP-100NC-B](#) [CDRH5D28RNP-2R5NC](#) [CD30D22HF-2R2MC](#) [CDEP147NP-4R7MC-95](#) [RCH110NP-180M](#) [RCH110NP-331K](#) [CDRH3D28NP-3R3NC](#) [CDRH8D28HPNP-4R7NC](#) [CDRH4D18NP-100NC](#) [RCR875DNP-4R7L](#) [B2-1/16-BLK-S](#) [CR32NP-151KC](#) [CR32NP-180KC](#) [CR32NP-181KC](#) [CR32NP-1R5MC](#) [CR32NP-390KC](#)
[CR32NP-3R9MC](#) [CR32NP-680KC](#) [CR32NP-820KC](#) [CR32NP-8R2MC](#) [CR43NP-390KC](#) [CR43NP-560KC](#) [CR54NP-181KC](#) [CR75NP-270KC](#) [CR75NP-820KC](#) [CDC5D23BNP-5R6MC](#) [CDEP127NP-120MC](#)