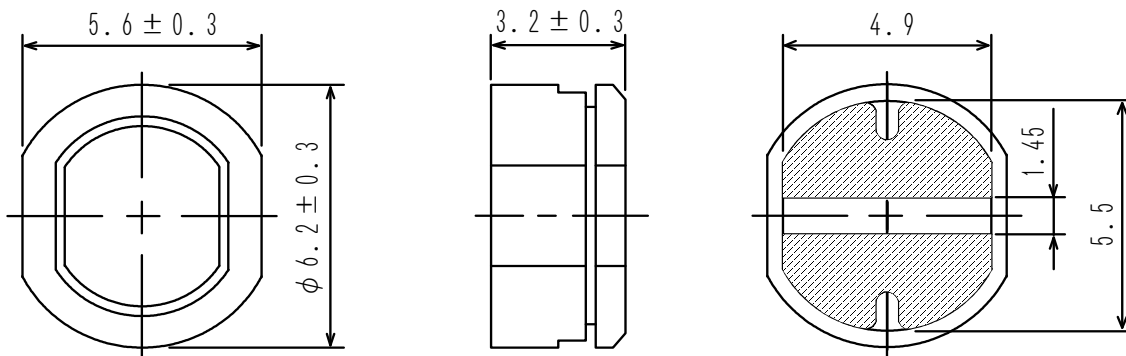
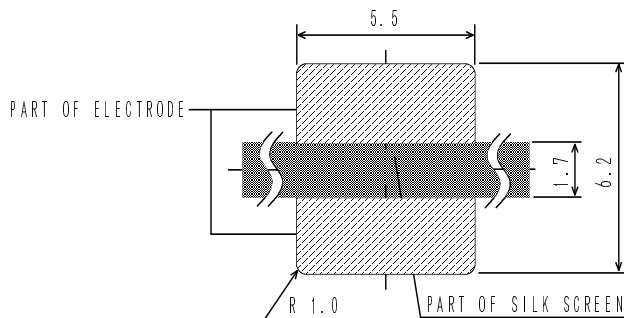


**Type: CDR63B**
**◆ Product Description**

- 6.5×5.9mm Max.(L×W), 3.5mm Max. Height.
- Inductance range: 10~68 μ H
- Rated current range: 0.42~1.0A.
- In addition to the standards versions shown here, custom inductors are also available to meet your exact requirements.


**◆ Feature**

- Magnetically shielded construction.
- Storage temperature range: -40°C~+100°C.
- Operating temperature range: -40°C~+100°C (Including coil's self temperature rise).
- Ideally used in Notebook PC ,LCD TV ,Game machine ,HDD,DSC/DVC, etc as DC-DC converter inductors.
- RoHS compliance.

**◆ Dimensions (mm)**

**◆ Land Pattern (mm)**


**Type: CDR63B**
**◆ Specification**

Part Name ※	Stamp	Inductance ( $\mu$ H) (at 2.52 MHz)	D.C.R.( $\Omega$ ) [Max.] (at 20°C)	Rated Current(A) ※1	S.R.F. (MHz) [Typ.]
CDR63BNP-100M□	A	10 $\pm$ 20%	0.14	1.00	35.3
CDR63BNP-120M□	B	12 $\pm$ 20%	0.16	0.94	32.2
CDR63BNP-150M□	C	15 $\pm$ 20%	0.18	0.86	29.3
CDR63BNP-180M□	D	18 $\pm$ 20%	0.25	0.78	26.7
CDR63BNP-220M□	E	22 $\pm$ 20%	0.32	0.76	23.1
CDR63BNP-270M□	F	27 $\pm$ 20%	0.36	0.64	20.8
CDR63BNP-330L□	G	33 $\pm$ 15%	0.41	0.61	18.2
CDR63BNP-390L□	H	39 $\pm$ 15%	0.47	0.53	17.0
CDR63BNP-470L□	J	47 $\pm$ 15%	0.51	0.50	15.3
CDR63BNP-560L□	K	56 $\pm$ 15%	0.72	0.46	14.1
CDR63BNP-680L□	L	68 $\pm$ 15%	0.82	0.42	12.1

**※ Description of part name**

CDR63BNP-100M□

- B Box
- C Carrier Tape

※1. Rated current: The D.C. current at which the inductance decreases to 90% of it's initial value or when  $\Delta t=40^{\circ}\text{C}$ , whichever is lower( $T_a=20^{\circ}\text{C}$ ).

## X-ON Electronics

Largest Supplier of Electrical and Electronic Components

*Click to view similar products for [Fixed Inductors](#) category:*

*Click to view products by [Sumida](#) manufacturer:*

Other Similar products are found below :

[CR43NP-680KC](#) [CR54NP-820KC](#) [CR54NP-8R5MC](#) [CTX32CT-100](#) [70F224AI](#) [MGDQ4-00004-P](#) [MHL1ECTTP18NJ](#) [MHL1JCTTD12NJ](#)  
[PE-51506NL](#) [PE-53601NL](#) [PE-53602NL](#) [PE-53630NL](#) [PE-53824SNLT](#) [PE-62892NL](#) [PE-92100NL](#) [PG0434.801NLT](#) [PG0936.113NLT](#)  
[9310-16](#) [PM06-2N7](#) [PM06-39NJ](#) [A01TK](#) [1206CS-471XJ](#) [HC2-2R2TR](#) [HC2LP-R47-R](#) [HC3-2R2-R](#) [1206CS-151XG](#) [RCH664NP-140L](#)  
[RCH664NP-4R7M](#) [RCH8011NP-221L](#) [RCP1317NP-332L](#) [RCP1317NP-391L](#) [RCR1010NP-470M](#) [RCR110DNP-331L](#) [DH2280-4R7M](#)  
[DS1608C-106](#) [ASPI-4020HI-R10M-T](#) [B10TJ](#) [B82477P4333M](#) [B82498B3101J000](#) [B82498B3680J000](#) [ELJ-RE27NJF2](#) [1812CS-153XJ](#)  
[1812CS-183XJ](#) [1812CS-223XJ](#) [1812LS-104XJ](#) [1812LS-105XJ](#) [1812LS-124XJ](#) [1812LS-154XJ](#) [1812LS-223XJ](#) [1812LS-224XJ](#)