

# CEEH96B



## ◆ Outline

- Pulse transformer for Automobiles.

## ◆ Application

- Battery management system of automobiles

## ◆ Features

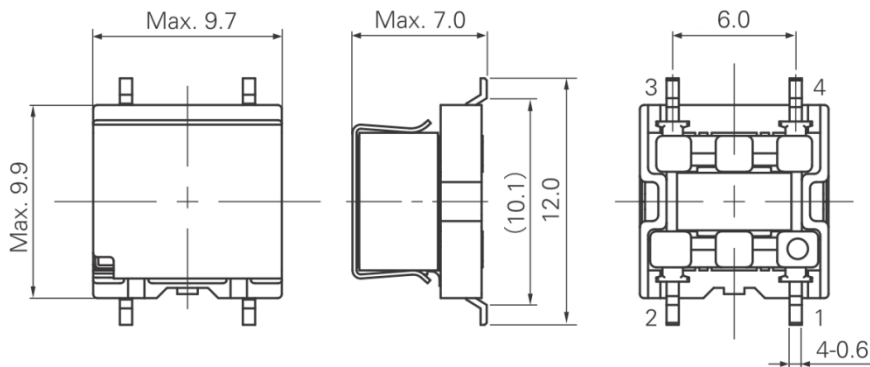
- SMD Type and 9mm square.
- low-profile 7mm Maximum.
- High withstand Voltage : 2,500Vrms
- Operating temperature : - 40deg. ~ +125deg.



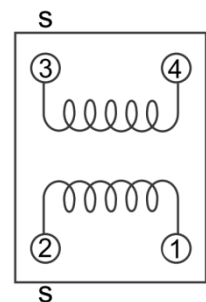
## ◆ Specifications

Item		Specification	Testing condition
Inductance	(1-4)	Min. 200 $\mu$ H	10 kHz, 20mV
Distributed Capacitance	(1-2)	Max. 8.0 pF	20MHz, 20mV
Interwinding Capacitance	(1,2-3,4)	Max. 12.6 pF	100 kHz, 20mV
Leakage Inductance	(1-2)	Max. 1.6 $\mu$ H	100 kHz, 20mV, (3,4)short
Withstand Voltage	(1,2~3,4)	AC2,500V, 60sec	0.5mA, 50Hz/60Hz
Turn Ratio	(1,2~3,4)	1 : 1	-

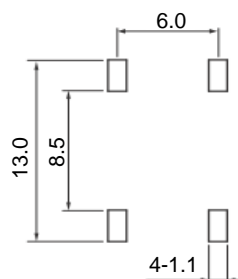
## ◆ Dimension (mm)



## ◆ Connection



## ◆ Land Patterns (mm)



## **X-ON Electronics**

Largest Supplier of Electrical and Electronic Components

*Click to view similar products for [Transformers](#) category:*

*Click to view products by [Sumida](#) manufacturer:*

Other Similar products are found below :

[ATB322515-0110-T000](#) [SRW10ES-U01V002](#) [T60402-C4721-X095](#) [TSA021](#) [TSA088](#) [TSE265](#) [TSA048](#) [CEEH96B-391](#) [CEP99P](#)

[B78311P2358A004](#) [ATB322524-0110-T000](#) [HR051067](#) [HR051142](#) [HR610660](#)