

BMS Pulse Transformer CEP99/CEP99B



◆ Outline

- Pulse transformer for Automobiles.

◆ Application

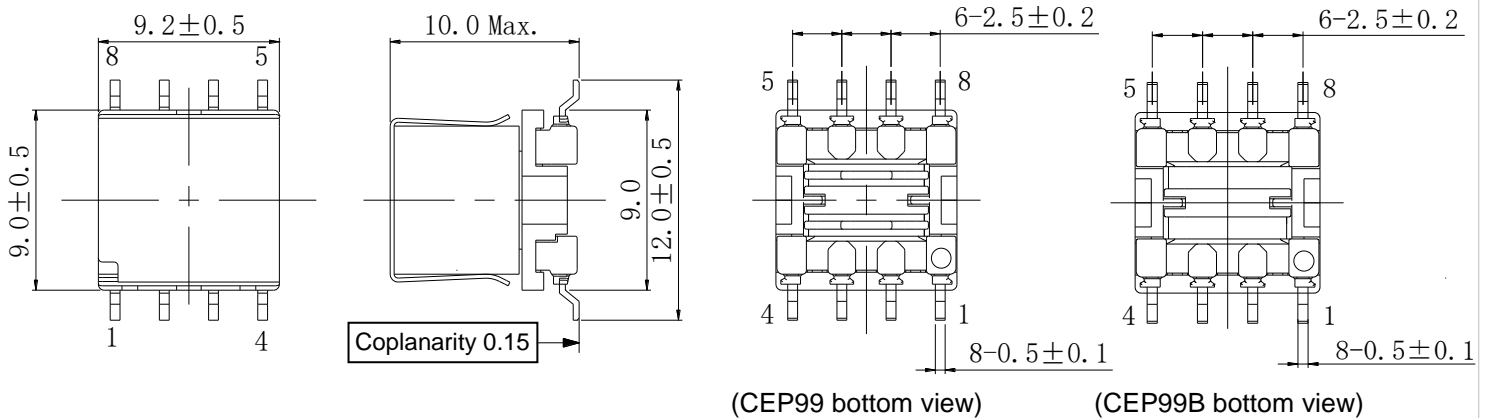
- Battery management system of automobiles

◆ Features

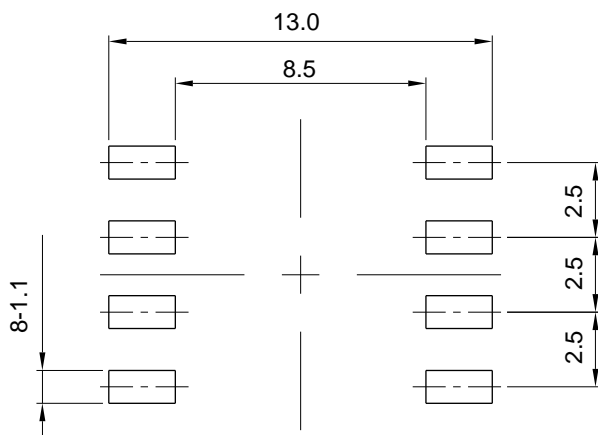
- 8 pins SMD type transformers within 0.15mm coplanarity
- Isolation voltage (Pri – Sec) AC 2500Vrms @ 60sec
- Working voltage up to DC600V
- Qualified AEC-Q200
- Operating Temperature: - 40deg. ~ +125deg. (including self-heating)
- Packing Quantity 300pcs per reel



◆ Dimensions [mm]

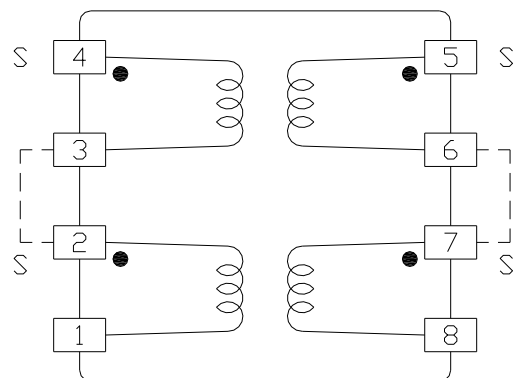


◆ Reference Land pattern [mm]



◆ Terminal connections (bottom view)

Winding ratio: 1:1:1:1



“S” is winding start.

“●” is electric polarity.

※ (2-3) and (6-7) shorted when used.

Note : This specification is subject to change without notice. Please contact your nearest sales office for updated information when placing an order.

BMS Pulse Transformer CEP99/CEP99B



◆ Specifications

Item	Specification					Testing condition
	CEP99				CEP99B	
Part name	CEP99P	CEP99P2	CEP99-102	CEP99NP-LTC6804	CEP99B-272	
Sumida Spec#	S-1557-0225	S-1557-0236	S-0074-6986	S-1867-0096	S-0074-7006	
Inductance	(1-4) Min.45 μ H	Min.75 μ H	Min.618 μ H	Min.45 μ H	Min.1.62 mH	10kHz, 20mV
Stray Capacitance	(1-4) Max.6.6 pF	Max.3.2 pF	Max.5.2 pF	Max.6.6 pF	Max.11.5 pF	CEP99P : 30MHz, 20mV CEP99P2 : 20MHz, 20mV CEP99-102 : 10MHz, 20mV CEP99NP-LTC6804 : 30MHz, 20mV CEP99B-272 : 5MHz, 20mV
Interwinding Capacitance	(1-4:5-8) Max.1.8 pF	Max.2.0 pF	Max.2.5 pF	Max.1.8 pF	Max.2.5 pF	CEP99P : 100kHz, 20mV CEP99P2 : 100kHz, 20mV CEP99-102 : 10kHz, 20mV CEP99NP-LTC6804 : 100kHz, 20mV CEP99B-272 : 100kHz, 20mV
Leakage Inductance	(1-4) Max.2.3 μ H	Max.3.3 μ H	Max.28.6 μ H	Max.2.3 μ H	Max.67.6 μ H	CEP99P : 100kHz, 20mV,(5-8)short CEP99P2 : 100kHz, 20mV,(5-8)short CEP99-102 : 10kHz, 20mV,(5-8)short CEP99NP-LTC6804 : 100kHz, 20mV,(5-8)short CEP99B-272 : 100kHz, 20mV,(5-8)short
D.C.R.	(1-4) Max.0.39 Ω	Max.0.53 Ω	Max.1.34 Ω	Max.0.39 Ω	Max.2.06 Ω	at 20 deg.
Withstand Voltage	(1-4:5-8)	AC2,500V, 60sec				0.5mA, 50Hz/60Hz
Turn Ratio	(1-4:5-8)	1 : 1				—
Recommended By	Panasonic AN84924 AN84925	Panasonic AN84913 AN84914	Maxim MAX17841 MAX14920 MAX14921 TI BQ76PL455A-Q1 BQ79606A-Q1 BQ79600-Q1 BQ79612-Q1 BQ79614-Q1 BQ79616-Q1 Sumida standard specifications	ADI LTC6804 LTC6810 LTC6811 LTC6812 LTC6813 LTC2949	Maxim MAX14920 MAX14921 TI BQ76PL455A-Q1 BQ79606-Q1 Sumida standard specifications	—

Demo board information / Reference

<TEXAS INSTRUMENTS>

*BQ79606A-Q1 Evaluation Module

<ADI>

*LTC6820 isoSPI 2-Wire Serial Interface / LTC6820IMS Demo circuit 1941D
/ Sumida preliminary part number: 13353-T002



For sales office information, please [click here](#) to visit our website.

Note : This specification is subject to change without notice. Please contact your nearest sales office for updated information when placing an order.

X-ON Electronics

Largest Supplier of Electrical and Electronic Components

Click to view similar products for [Pulse Transformers](#) category:

Click to view products by [Sumida](#) manufacturer:

Other Similar products are found below :

[E4001NLT](#) [1879401-1](#) [IF-18-0269-N](#) [T1042NLT](#) [G501](#) [PT5010](#) [PE-65457NLT](#) [HM2101NLT](#) [CTX33-18971-R](#) [PG1427.001NLT](#)
[B78307X0001](#) [CL4532A-201](#) [TS8121CMHF](#) [PA2748NLT](#) [PE-68023NLT](#) [FB020G00](#) [TS21CHF](#) [TXF353229NF-121-P1](#) [HR601233E](#)
[CEP99B-272](#) [TGMR-512V6LF](#) [B78307A2276A003](#) [HX6106NLT](#) [P0926NL](#) [TGMR-430V8LF](#) [TGMR-501V6LF](#) [HX6096NL](#) [PE-63387NL](#)
[B82804A0304A225](#) [TGM-040P3RL](#) [PA3493NLT](#) [CX2147NLT](#) [HM41-11210LF](#) [TGM-210NSRL](#) [TGM-240NSRL](#) [TGMR-511V6LF](#) [TGM-](#)
[240NSLF](#) [TGM-030P3RL](#) [T60403-F5046-X007](#) [TGM-H280V8LF](#) [T60403-D4097-X052](#) [HU4103NL](#) [78601/8JC-R](#) [TGMR-H540V8LF](#)
[TGAD-290NARL](#) [TGM-H240V8LF](#) [78601/2JC-R](#) [TGAD-292NARL](#) [HU4006NL](#) [HU4108NL](#)