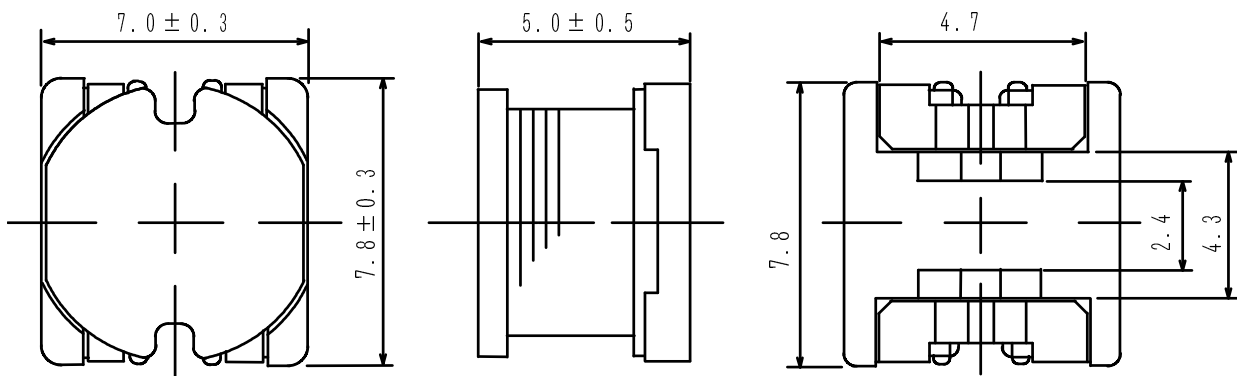
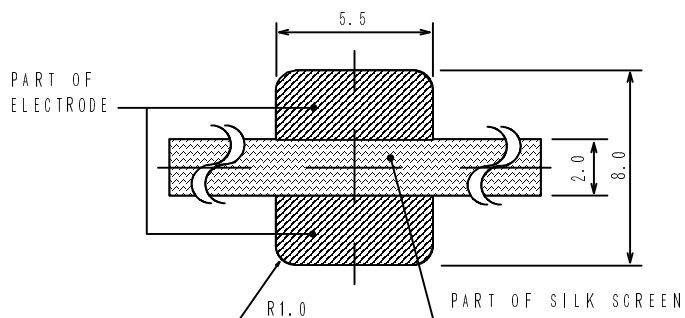


**Type: CR75**
**◆ Product Description**

- 8.1×7.3mm Max.(L×W), 5.5mm Max. Height.
- Inductance range: 1.2~470  $\mu$  H.
- Rated current range: 0.34~6.0A.
- In addition to the standard versions of inductors shown here, custom inductors are available to meet your exact requirements.


**◆ Feature**

- Magnetically unshielded construction.
- Storage temperature range: -40°C ~+100°C.
- Operating temperature range: -40°C ~+100°C (Including coil's self temperature rise).
- Ideally used in A/V equipment, LCD TV,DSC/DVC, Game Machine, DVC, HDD, Notebook PC, etc as DC-DC converter inductors.
- RoHS compliance.

**◆ Dimensions (mm)**

**◆ Land Pattern (mm)**


**Type: CR75**
**◆ Specification**

Part Name ※	Stamp	Inductance ( $\mu$ H) ※1	D.C.R. (m $\Omega$ ) [MAX.] (at 20°C)	Rated Current (A)※2	S.R.F. (MHz) [TYP.]
CR75NP-1R2M□	1R2M	1.2 $\pm$ 20%	15.6m	6.0	53.7
CR75NP-1R5M□	1R5M	1.5 $\pm$ 20%	17.0m	5.5	45.6
CR75NP-2R2M□	2R2M	2.2 $\pm$ 20%	19.5m	4.5	36.4
CR75NP-2R7M□	2R7M	2.7 $\pm$ 20%	22.1m	4.2	31.1
CR75NP-3R3M□	3R3M	3.3 $\pm$ 20%	24.7m	3.7	26.8
CR75NP-3R9M□	3R9M	3.9 $\pm$ 20%	27.3m	3.5	24.6
CR75NP-4R7M□	4R7M	4.7 $\pm$ 20%	30.0m	3.1	20.4
CR75NP-5R6M□	5R6M	5.6 $\pm$ 20%	32.5m	2.8	20.0
CR75NP-6R8M□	6R8M	6.8 $\pm$ 20%	36.4m	2.7	19.6
CR75NP-8R2M□	8R2M	8.2 $\pm$ 20%	41.6m	2.5	18.0
CR75NP-100K□	100K	10 $\pm$ 10%	0.07	2.3	28
CR75NP-120K□	120K	12 $\pm$ 10%	0.08	2.0	23
CR75NP-150K□	150K	15 $\pm$ 10%	0.09	1.8	22
CR75NP-180K□	180K	18 $\pm$ 10%	0.10	1.6	20
CR75NP-220K□	220K	22 $\pm$ 10%	0.11	1.5	17
CR75NP-270K□	270K	27 $\pm$ 10%	0.12	1.3	15
CR75NP-330K□	330K	33 $\pm$ 10%	0.13	1.2	15
CR75NP-390K□	390K	39 $\pm$ 10%	0.16	1.1	14
CR75NP-470K□	470K	47 $\pm$ 10%	0.18	1.1	13
CR75NP-560K□	560K	56 $\pm$ 10%	0.24	0.94	11
CR75NP-680K□	680K	68 $\pm$ 10%	0.28	0.85	11
CR75NP-820K□	820K	82 $\pm$ 10%	0.37	0.78	10
CR75NP-101K□	101K	100 $\pm$ 10%	0.43	0.72	9.2
CR75NP-121K□	121K	120 $\pm$ 10%	0.47	0.66	7.7
CR75NP-151K□	151K	150 $\pm$ 10%	0.64	0.58	6.1
CR75NP-181K□	181K	180 $\pm$ 10%	0.71	0.51	5.8
CR75NP-221K□	221K	220 $\pm$ 10%	0.96	0.49	5.2
CR75NP-271K□	271K	270 $\pm$ 10%	1.11	0.42	4.8
CR75NP-331K□	331K	330 $\pm$ 10%	1.26	0.40	4.3
CR75NP-391K□	391K	390 $\pm$ 10%	1.77	0.36	4.3
CR75NP-471K□	471K	470 $\pm$ 10%	1.96	0.34	3.8

Please refer to the sales offices on our website for a representative near you

**Type: CR75**
**※ Description of part name**

CR75NP-1R2M□  
 └─ B Box  
 └─ C Carrier Tape

※1: Measuring frequency: 1.2  $\mu$  H  $\sim$  8.2  $\mu$  H ; at 7.96 MHz  
 10  $\mu$  H  $\sim$  82  $\mu$  H ; at 2.52 MHz  
 100  $\mu$  H  $\sim$  470  $\mu$  H ; at 1 kHz

※2. Rated current: The D.C. current at which the inductance decreases to 90% of its initial value or when  $\Delta t=40^{\circ}\text{C}$ , whichever is lower ( $T_a=20^{\circ}\text{C}$ ).

## X-ON Electronics

Largest Supplier of Electrical and Electronic Components

*Click to view similar products for [Power Inductors - SMD category](#):*

*Click to view products by [Sumida manufacturer](#):*

Other Similar products are found below :

[SPD62R-472M](#) [LLQPB201214T1R0M](#) [LLXND3030QKT470MNG](#) [LLQPB160807T4R7M](#) [LLAPB2016KKTR33M](#)  
[LBXND4040TKL330MDG](#) [LLXNE3030KKT4R7MN](#) [LSQEA201212T100M](#) [IHLP5050CEER4R7M06](#) [LVS505020-1R0T-N](#) [LVS505040-1R2T-N](#) [LVS606020-1R5M-N](#) [LVS606028-6R8M-N](#) [LVS606045-102M-N](#) [LVS606045-150M-N](#) [LVS606045-1R8M-N](#) [LVS606045-6R8M-N](#) [LVS808040-2R0M-N](#) [LVS808040-330M-N](#) [LVS808040-4R7M-N](#) [MHCI06030-R56M-R8](#) [SCD0403T-470M-N](#) [SCD0403T-6R8K-N](#)  
[SCD0504T-101M-N](#) [SCD0504T-120M-N](#) [SCD0504T-221M-N](#) [SCD0504T-470M-N](#) [SCD0504T-471M-N](#) [SCD0705T-180M-N](#) [SCD0705T-221M-N](#) [SCD0705T-470M-N](#) [SCD1005T-101M-N](#) [SCD1005T-221M-N](#) [SCD1005T-470M-N](#) [SSL1306T-101M-N](#) [LQB15NNR27K10D](#)  
[201610CDMCDDS-R47MC](#) [201610CDMCDDS-1R0MC](#) [201610CDMCDDS-R68MC](#) [LSQPB201210T220M](#) [LBCNF2012KKTR24MA](#)  
[LSQEA201212T220K](#) [LSENC2016KKT1R0M](#) [LSQNB160808T470M](#) [LSBHB1608KKT2R2MG](#) [LSQPB160807T2R2M](#)  
[LSQEA201212T101K](#) [LCXND4040MKL4R7MDG](#) [DEM8045Z-5R6N=P3](#) [LCXNH8080YKL101MJG](#)