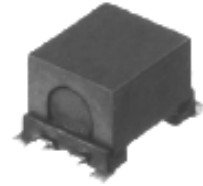
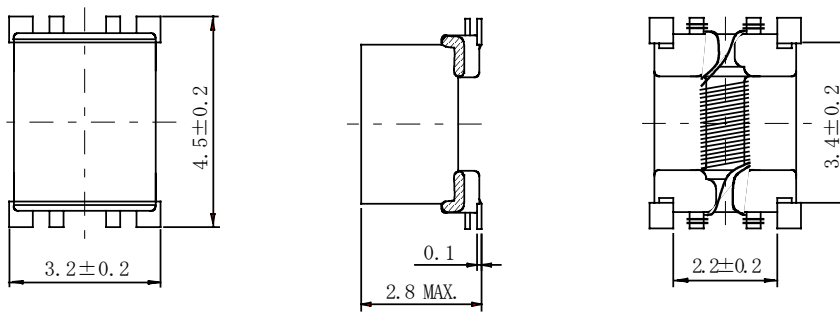


**Type: CRR32**
**◆ Product Description**

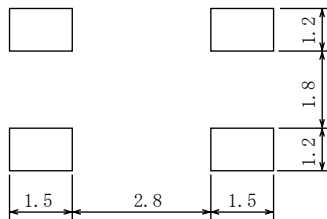
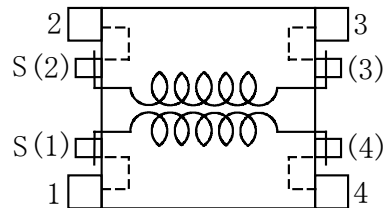
- 4.7×3.4mm Max.(L×W), 2.8mm Max. Height .
- Impedance range: 350 Ω ~ 800 Ω .
- Rated current range: 400mA~800mA.


**◆ Feature**

- Correspondence to the large current due to low D.C.R.
- High impedance in wide frequency band.
- Ideally used in D.C common modem line filter(Digital AV equipment ,Digital still camera, Digital video camera).
- RoHS Compliance.

**◆ Dimensions (mm)**


\* Dimension does include solder used on coil.

**◆ Land Pattern (mm)**

**◆ Schematics (Bottom)**

**◆ Specification**

Part Name	Stamp	Impedance(Ω) <Min.> 100 MHz (1-4) and (2-3)	D.C.R.(Ω) [Max.](at 20°C) (1-4) and (2-3)	Rated current (mA)[Max.] ※1
CRR32NP-Ø2A	1	800	0.5	400
CRR32NP-Ø5A	2	650	0.3	460
CRR32NP-Ø7A	3	500	0.2	580
CRR32NP-1ØA	4	350	0.2	800

※1. Rated current: The DC current at which the temperature rise is  $\Delta t=40^{\circ}\text{C}$ . ( $T_a=20^{\circ}\text{C}$ ).

## X-ON Electronics

Largest Supplier of Electrical and Electronic Components

*Click to view similar products for [Common Mode Chokes / Filters](#) category:*

*Click to view products by [Sumida](#) manufacturer:*

Other Similar products are found below :

[PE-64683](#) [RD5122-6-9M6](#) [RD6137-6-7M5](#) [RD8147-16-3M0](#) [ST6118T-R](#) [FE3X025-10-7NL](#) [RD7147-25-0M7](#) [TCM0806G-350-2P-T](#)  
[TCM0806G-650-2P-T](#) [IND-0110](#) [UAL21VR0802000](#) [UALSC023000000](#) [UALSC1020JH000](#) [UALSU10VD20010](#) [UALSU9VD070100](#) [36-00037](#) [UALW21HS072450](#) [UALSU9H0208000](#) [UAL24VK06450CH](#) [PLT10HH501100PNB](#) [PLT10HH401100PNB](#) [PLT10HH1026R0PNB](#)  
[36-00029-01](#) [PE-67531](#) [TLH10UB](#) [113 0R5](#) [2752045447](#) [7351V](#) [CMF16-153131](#) [RD7147-6-6M0](#) [T8116NLT](#) [FE2X10-4-2NL](#) [36-00029-07](#)  
[T8003NLT](#) [CTX01-13663](#) [CTX66-19521-R](#) [RC212-0.5-10M](#) [RC112-0.4-15M](#) [RC212-0.6-6M8](#) [RC212-0.4-15M](#) [RC112-0.3-30M](#)  
[WTCF2012Z0M751PB](#) [PH9408.814NLT](#) [PAC6006.364NLT](#) [PAC6006.444NLT](#) [PAC6006.204NLT](#) [PH9407.204NLT](#) [PAC6006.264NLT](#)  
[PH9408.494NLT](#) [PAC6006.104NLT](#) [CM6350R-683-REEL](#)