

CSLF3228

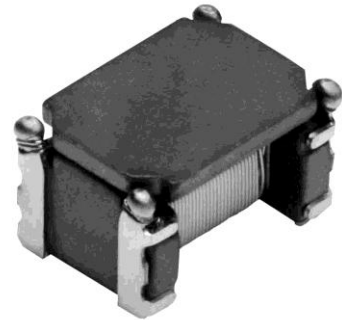


Features :

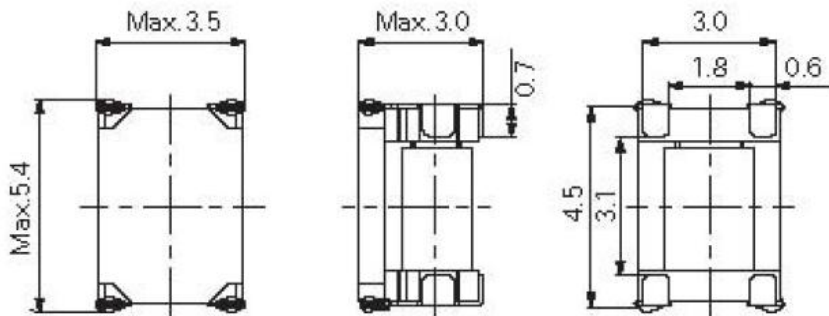
- Common mode choke coil for automobile (up to 150 deg C)
- Small size and low profile
- Correspond RoHS directives

Applications :

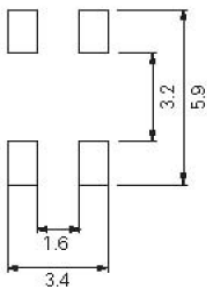
- CAN Bus, AV/OA equipment
- Suitable for DC common mode



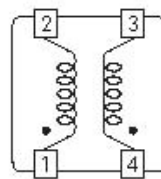
Dimensions (mm)



Land patterns (mm)



Schematics (mm)



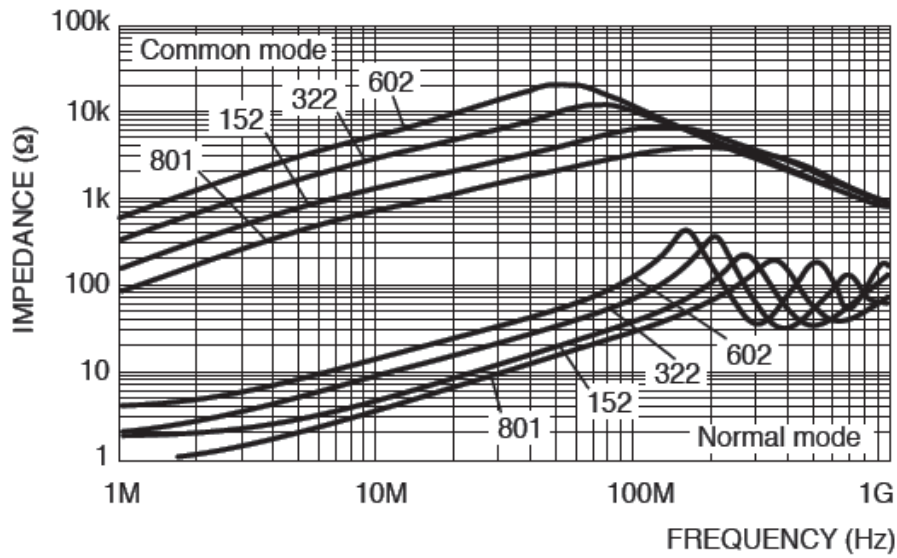
Electrical specifications'

Parts No.	Impedance @10MHz	DCR @20°C	Rated current
CSLF3228NP-801	800(Typ)/Min.480Ω	Max. 0.5Ω	0.25A
CSLF3228NP-152	1500(Typ)/Min.900Ω	Max. 1.0Ω	0.2A
CSLF3228NP-322	3200(Typ)/Min.1900Ω	Max.1.0Ω	0.2A
CSLF3228NP-602	6000(Typ)/Min.2400Ω	Max.2.0Ω	0.15A

Note: This specification is subject to change without notice. Please contact your nearest sales office for updated information when placing an order.



Impedance characteristics



For sales office information, please [click here](#) to visit our website.

Note: This specification is subject to change without notice. Please contact your nearest sales office for updated information when placing an order.

CSLF3228

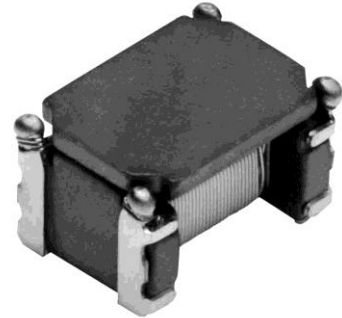


特長:

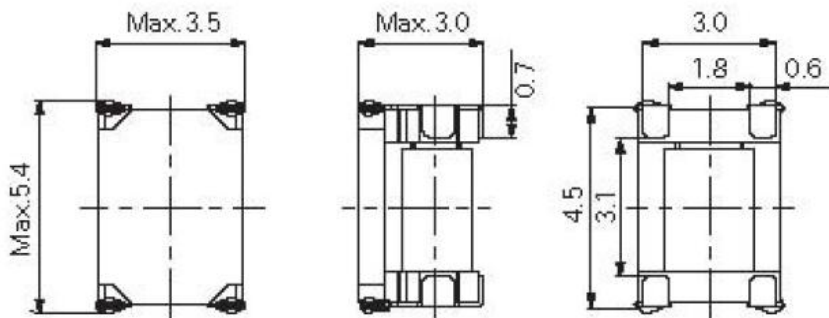
- 車載対応可能コモンモードチョークコイル
(~150 °C)
- 小型、低背
- RoHS 指令対応品

アプリケーション:

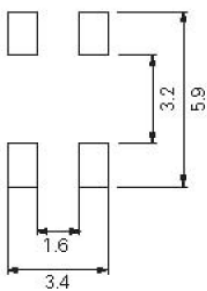
- CAN Bus, AV/OA 機器
- DC ライン用コモンモード対策に最適



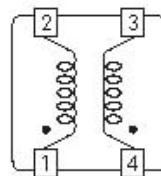
外形寸法図 (mm)



ランド寸法 (mm)



結線図 (mm)



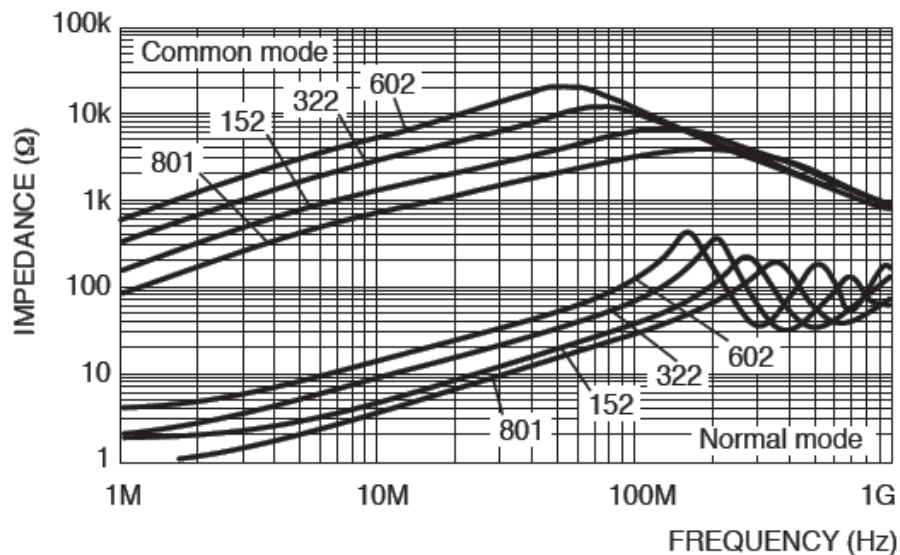
電気的特性'

Parts No.	Impedance @10MHz	DCR @20°C	Rated current
CSLF3228NP-801	800(Typ)/Min.480Ω	Max. 0.5Ω	0.25A
CSLF3228NP-152	1500(Typ)/Min.900Ω	Max. 1.0Ω	0.2A
CSLF3228NP-322	3200(Typ)/Min.1900Ω	Max.1.0Ω	0.2A
CSLF3228NP-602	6000(Typ)/Min.2400Ω	Max.2.0Ω	0.15A

Note: This specification is subject to change without notice. Please contact your nearest sales office for updated information when placing an order.



インピーダンス特性



For sales office information, please [click here](#) to visit our website.

Note: This specification is subject to change without notice. Please contact your nearest sales office for updated information when placing an order.

X-ON Electronics

Largest Supplier of Electrical and Electronic Components

Click to view similar products for [Common Mode Chokes / Filters](#) category:

Click to view products by [Sumida](#) manufacturer:

Other Similar products are found below :

[74279408](#) [PE-62911NL](#) [PE-64683](#) [RD5122-6-9M6](#) [RGCMF1210900H3T](#) [ST6118T-R](#) [FE3X025-10-7NL](#) [T8114NLT](#) [RD5122-10-6M0](#)
[TCM0806G-350-2P-T](#) [TCM0806G-650-2P-T](#) [B2013FNLT](#) [IND-0110](#) [UAL21V07012500](#) [UAL21VR0802000](#) [UAL24VR06500CH](#)
[UALSC023000000](#) [UALSC1020JH000](#) [UALSC1520JH000](#) [UALSU10VR15019](#) [UALSU9HF060300](#) [UALSU9VD070100](#) [36-00037](#)
[5701610000](#) [UALW21HS200290](#) [UALW21HS072450](#) [UALSU9VD070400](#) [UALSU9HF050500](#) [UALSU9H0208000](#) [UAL24VK06450CH](#)
[PLT10HH401100PNB](#) [PLT10HH1026R0PNB](#) [PE-67531](#) [TLH10UB](#) [113 0R5](#) [2752045447](#) [CMS3-11-R](#) [7351V](#) [7408-RC](#) [CMF16-153131](#)
[744252510](#) [T8116NLT](#) [CMS2-10-R](#) [DLW44SN101SK2L](#) [FE2X10-4-2NL](#) [744253200](#) [744253101](#) [744252220](#) [TX8111NLT](#)
[UAL30VR3500470](#) [CTX01-19077-R](#)