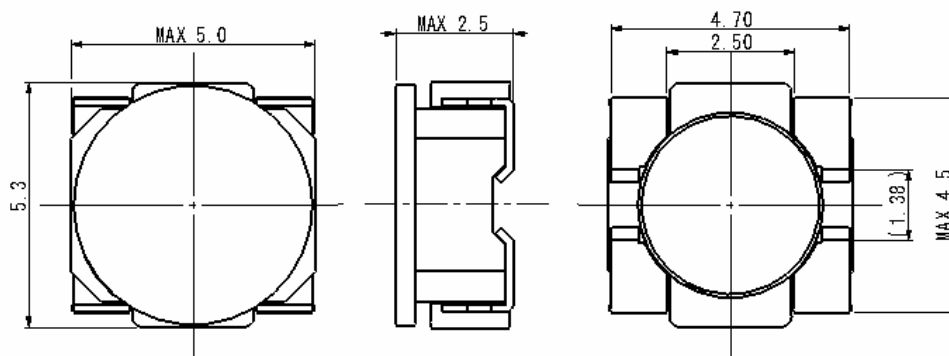
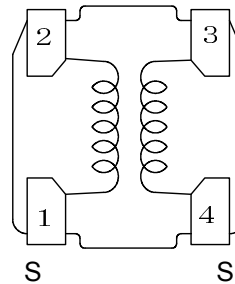
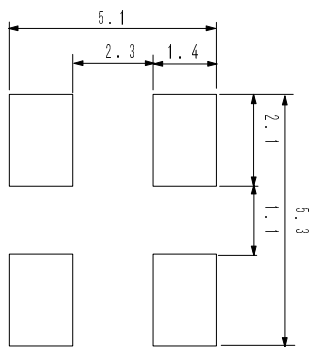


**Type: CSLF4D25**
**◆ Product Description**

- 5.3×5.0mm Max.(L×W), 2.5mm Max. Height.
- Custom design is available.


**◆ Feature**

- Ideally used in DVC ,Portable equipment, Audio equipment, Car navigation etc.
- RoHS Compliance.

**◆ Dimensions (mm)**

**◆ Land Pattern (mm) and Schematics (Bottom)**


“S” is winding start.

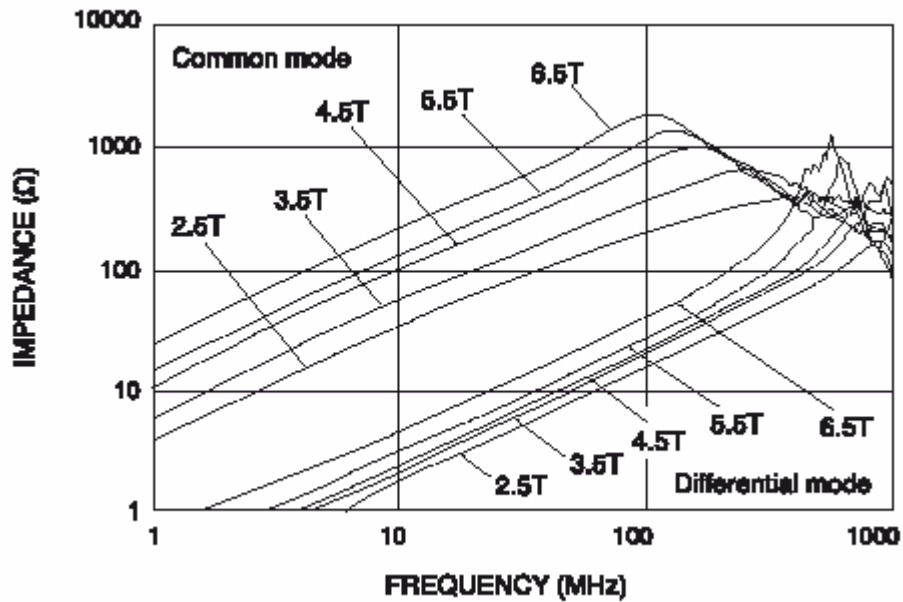
**◆ Specification**

| Part Name      | Stamp | Turns | Impedance (Ω)<br>(at 10MHz,0.5V) | D.C.R (mΩ)<br>[Within]<br>(1-2)and(3-4) | Rated voltage (V)(Max) | Rated current (A) ※<br>(Max) |
|----------------|-------|-------|----------------------------------|---|------------------------|------------------------------|
| CSLF4D25NP-34  | 01    | 2.5   | 34±10                            | 13±40%                                  | 50                     | 3.5                          |
| CSLF4D25NP-55  | 02    | 3.5   | 55±25                            | 17±40%                                  | 50                     | 3.0                          |
| CSLF4D25NP-100 | 03    | 4.5   | 100±55                           | 22±40%                                  | 50                     | 2.5                          |
| CSLF4D25NP-132 | 04    | 5.5   | 132±85                           | 28±40%                                  | 50                     | 2.0                          |
| CSLF4D25NP-210 | 05    | 6.5   | 210±110                          | 40±40%                                  | 50                     | 1.5                          |

※ Rated current is the current value at which coil's temperature rise is  $\Delta t=45^{\circ}\text{C}$  (2 and 3 shorted,  $T_a=20^{\circ}\text{C}$ )

**Type: CSLF4D25**

Impedance vs Frequency (for reference)



## X-ON Electronics

Largest Supplier of Electrical and Electronic Components

*Click to view similar products for [Common Mode Chokes / Filters](#) category:*

*Click to view products by [Sumida](#) manufacturer:*

Other Similar products are found below :

[RGCMF1210900H3T](#) [B82722A2102N001](#) [UAL21V07012500](#) [UAL24VR06500CH](#) [UALSC0220G0000](#) [UALSC058000000](#)  
[UALSC0580J0000](#) [UALSC1520JH000](#) [UALSU10VR15019](#) [UALSU10VR20010](#) [UALSU16VD30030](#) [UALSU16VD40010](#)  
[UALSU9H0305000](#) [UALSU9HF030600](#) [UALSU9HF060300](#) [UALSU9HR050340](#) [UALSU9VD070100](#) [UALSU9VR070170](#) [36-00037](#)  
[5701610000](#) [CM7060M132R-10](#) [UALW21HS200290](#) [UALW21HS072450](#) [UALSU9VD070400](#) [UALSU9V0701000](#) [UALSU9HR030900](#)  
[UALSU9HF050500](#) [UALSU9HF050300](#) [UALSU9H0701000](#) [UALSU9H0208000](#) [UALSU9H0110000](#) [UALSCF25081300](#)  
[UALSC0305GS000](#) [UALSC0120G0000](#) [UAL24VK06450CH](#) [UAL11VL1105000](#) [RN112-3.6-02-0M4](#) [RN114-1.2-02-10M](#) [RN122-0.6-02-](#)  
[47M](#) [RN122-3-02-4M5](#) [RN142-1-02-33M](#) [RN214-2.5-02-3M3](#) [RN112-2-02-1M0](#) [RN143-6-02-1M8](#) [RN214-0.8-02-27M](#) [RN242-1.4-02-27M](#)  
[EXC-X4CH120X](#) [DLW5BTM102TQ2L](#) [CMF16-153131](#) [CMF23H-273141](#)