

ESMIT-4180/C

CBM5D33



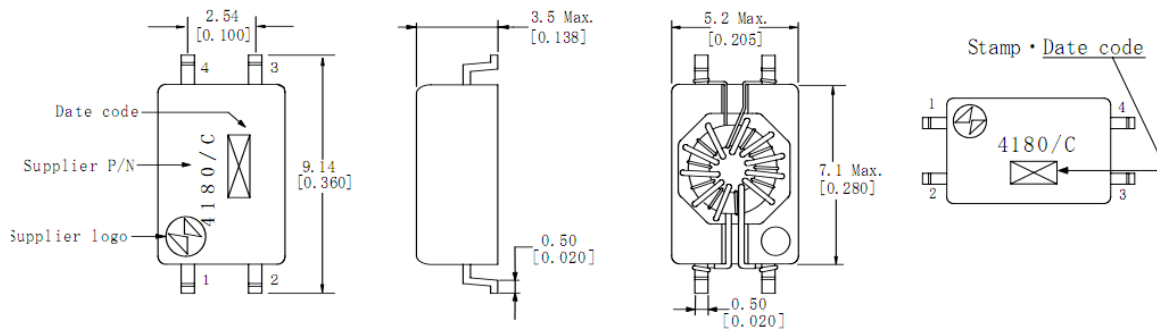
Description

- Reference Design in Freescale HV/EV Battery Management
- System MC33771 and MC33664
- Low Profile
- Qualified to AEC-Q200
- High Voltage Isolation 3750Vrms
- Operating Temperature: -40°C to +125°C
- Optimize Core Material for low temperature operation

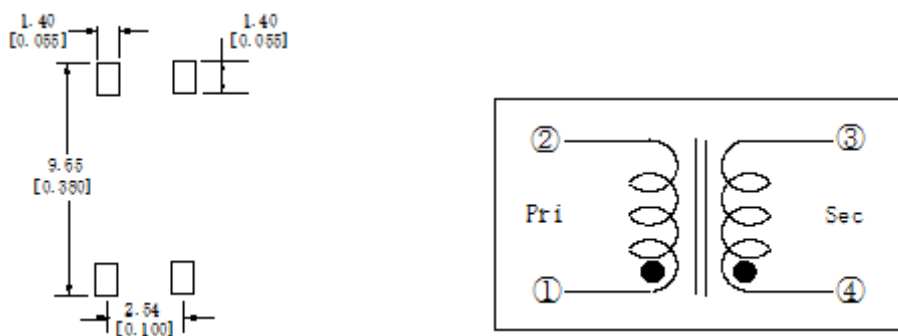
Applications

- Automotive and Industrial Applications

Dimension – mm [inch]



Recommended PCB Pad Layout - mm [inch]



Note: This specification is subject to change without notice. Please contact your nearest sales office for updated information when placing an order.

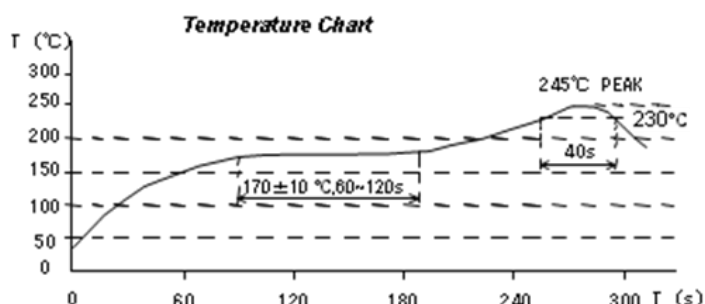
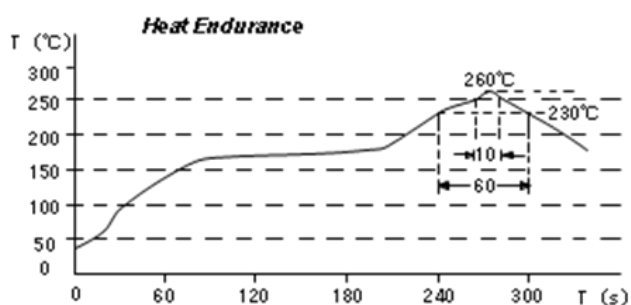
ESMIT-4180/C CBM5D33



Electrical Characteristics @ 25°C

PARAMETER	CONDITIONS	VALUE	UNITS	TOLERANCE
Inductance (OCL)	100 kHz, 0.01 V, (1-2)	125	μH	Min.
Inductance (OCL)	100 kHz, 0.01v , (1.2), -40°C	120	μH	Nom.
DC Resistance (DCR)	(1-2)	0.25	Ω	Max.
	(4-3)	0.25	Ω	Ma.
Dielectric Breakdown Isolation (equivalent to 1 min, 3000 Vrms)	1 sec, (1-4) Max Leakage current 0.5mA	3750	Vrms	Min.
Operating Temperature		-40 to +105	°C	Nom.

Soldering Reflow Profile



For sales office information, please [click here](#) to visit our website.

Note: This specification is subject to change without notice. Please contact your nearest sales office for updated information when placing an order.

X-ON Electronics

Largest Supplier of Electrical and Electronic Components

Click to view similar products for [Audio Transformers](#) / [Signal Transformers](#) category:

Click to view products by [Sumida](#) manufacturer:

Other Similar products are found below :

[CX2041NLT](#) [MGPWT-00449-P](#) [PE-64961](#) [H1302FNLT](#) [H5008FNL](#) [H5012FNL](#) [H5020FNLT](#) [H5077NLT](#) [H5079NLT](#) [H5084FNLT](#)
[B78476A9558A003](#) [1812WBT2-4](#) [1879479-1](#) [HX2260FNL](#) [HX5014FNL](#) [EX2024FNL](#) [FL1066](#) [T1137NLT](#) [T3012NL](#) [PE-65812FNL](#) [PE-65848FNLT](#) [H1174FNL](#) [H1302FNL](#) [H5015FNL](#) [H5019EFNL](#) [H5062FNLT](#) [CX2047LNL](#) [MGPWT-00059-P](#) [MGPWT-00266-P](#) [MGPWT-00278-P](#) [MGPWT-00431-P](#) [TTC-100](#) [TTC-143-H](#) [TTC-5032-1](#) [BX1194WNLT](#) [HX1234NLT](#) [HX5008FNLT](#) [HX5019FNL](#) [HX5084NL](#) [3-1879385-5](#) [TX1263NLT](#) [4-1879391-0](#) [T1142NL](#) [HX6101FNL](#) [HX5084FNL](#) [HX1148NL](#) [HX5020FNLT](#) [HX5014FNLT](#) [T1124NL](#)
[1879732-1](#)