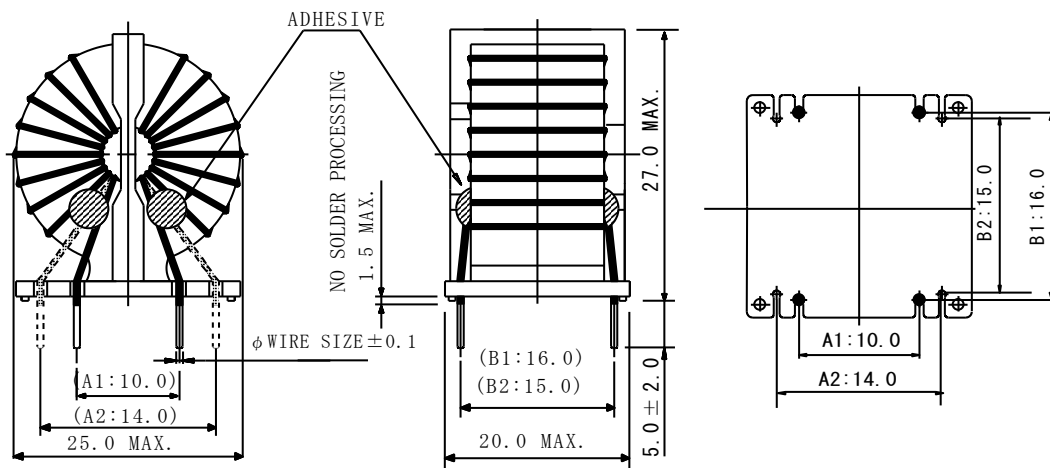


Type: PFC2225B
◆ Product Description

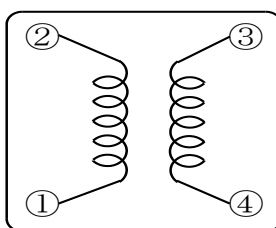
- 25.0×20.0mm Max.(L×W), 27.0mm Max. Height .
- Inductance range: 0.8mH~7mH
- Rated current range:3.0A~8.0A
- In addition to the standard versions of parameters shown here, custom designs are available to meet your exact requirements.


◆ Feature

- Safety standard conformance such as UL.
- Ideally used in TV, VCRs, OA devices.
- RoHS Compliance

◆ Dimensions (mm)


- * Wiring-channel position for terminals of part name 801,152 and dimension A1,B1
- * Wiring-channel position for terminals of part name 402,502,702,502B,702B and dimension A2,B2
- * Dimension does not include solder used on coil.

◆ Schematics (Bottom)


- * Winding start is #1,#4 or #2,#3.
- * #1, #2 : should have same polarity.

Type: PFC2225B
◆ Specification

Part Name	Stamp	Inductance [MIN.](mH) (1-2) or (4-3) 1kHz/0.1V	Inductance Balance [MAX.] (μ H)	D.C.R. (mΩ) [MAX.] (1-2) or (4-3) (at 20°C)	Rated current (50/60Hz) (Arms)(1-4) (2and 3 To Be Shorted)※1
PFC2225BNP-8Ø1	801	0.8	50	12.5	8.0
PFC2225BNP-152	152	1.5	80	26.0	5.0
PFC2225BNP-4Ø2	402	4.0	100	54.0	4.0
PFC2225BNP-5Ø2	502	5.0	150	81.0	3.0
PFC2225BNP-7Ø2	702	7.0	200	135.0	2.5
PFC2225BNP-5Ø2B	502B	5.0	150	61.0	3.5
PFC2225BNP-7Ø2B	702B	7.0	200	70.0	3.0

※1. Rated current: The AC current at which the temperature rise is $\Delta t=60^{\circ}\text{C}$. ($T_a=20^{\circ}\text{C}$).

X-ON Electronics

Largest Supplier of Electrical and Electronic Components

Click to view similar products for [Common Mode Chokes / Filters](#) category:

Click to view products by [Sumida](#) manufacturer:

Other Similar products are found below :

[74279408](#) [PE-62911NL](#) [PE-64683](#) [ST6118T-R](#) [T8114NLT](#) [RD5122-10-6M0](#) [TCM0806G-350-2P-T](#) [TCM0806G-650-2P-T](#) [IND-0110](#)
[UAL21V07012500](#) [UAL21VR0802000](#) [UAL24VR06500CH](#) [UALSC023000000](#) [UALSC1020JH000](#) [UALSC1520JH000](#)
[UALSU10VR20010](#) [UALSU16VD30030](#) [UALSU16VD40010](#) [UALSU9H0305000](#) [UALSU9HF060300](#) [UALSU9VD070100](#) [36-00037](#)
[5701610000](#) [UALW21HS072450](#) [UALSU9VD070400](#) [UALSU9HF050500](#) [UALSU9H0208000](#) [UALSCF25081300](#) [UAL24VK06450CH](#)
[PLT10HH501100PNB](#) [PLT10HH401100PNB](#) [PLT10HH1026R0PNB](#) [PE-67531](#) [EXC-X4CH120X](#) [TLH10UB 113 0R5](#) [2752041447](#)
[2752045447](#) [CMS3-11-R](#) [7351V](#) [CMF16-153131](#) [744252510](#) [T8116NLT](#) [FE2X10-4-2NL](#) [744253200](#) [744253101](#) [744252220](#) [TX8111NLT](#)
[UAL30VR3500470](#) [CTX01-19077-R](#) [T8003NLT](#)