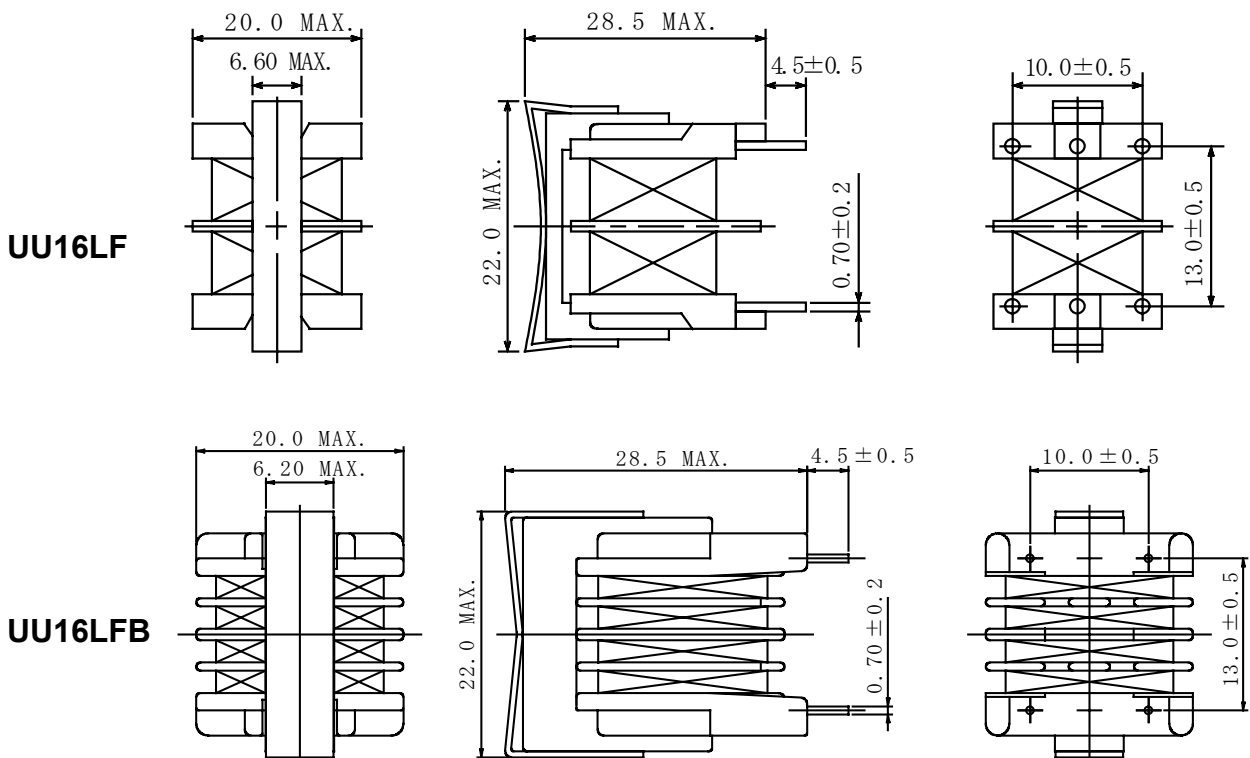


Type: UU16LF, UU16LFB
◆ Product Description

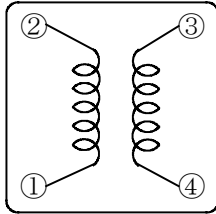
- 22.0×20.0mm Max.(L×W), 28.5mm Max. Height.
- Inductance range: 1.5mH~30mH
- Rated current range: 0.4~1.90A(UU16LF);0.35~1.75A(UU16LFB).
- In addition to the standard versions of parameters shown here, custom designs are available to meet your exact requirements.


◆ Feature

- Ideally used as AC common mode noise filter for TV, VCR, Switching power supply, NC machine, PC&PC related advice, measurement and control unit with better attenuation characteristics in low frequency band.
- UU16LFB has better high frequency characteristics for its split bobbin structure.
- RoHS Compliance.

◆ Dimensions (mm)


- * Dimension does not include solder used on coil.
- * Terminal pitch is measured at the base(not from tip of the pin)

Type: UU16LF, UU16LFB
◆ Schematics (Bottom)


- * Winding start is #1,#4 or #2,#3.
- * #1, #2 : should be same polarity.

◆ Specification(UU16LF)

NO.	Part No.	Stamp	Inductance [MIN.](mH) (1-2)(4-3) 1kHz	Inductance Balance [MAX.] (μ H)	D.C.R. (Ω) [MAX.] (1-2)(4-3) (at 20°C)	Rated current (50/60Hz) (Arms)※1
01	UU16LFNP-152	152	1.5	40	125m	1.9
02	UU16LFNP-4Ø2	402	4.0	60	270m	1.2
03	UU16LFNP-8Ø2	802	8.0	80	0.46	0.9
04	UU16LFNP-2Ø3	203	20	150	1.6	0.5
05	UU16LFNP-3Ø3	303	30	200	2.5	0.4

◆ Specification(UU16LFB)

NO.	Part No.	Stamp	Inductance [MIN.](mH) (1-2)(4-3) 1kHz	Inductance Balance [MAX.] (μ H)	D.C.R. (Ω) [MAX.] (1-2)(4-3) (at 20°C)	Rated Current (50/60Hz) (Arms)※1
01	UU16LFBNP-152	152	1.5	40	0.20	1.75
02	UU16LFBNP-4Ø2	402	4.0	60	0.35	1.00
03	UU16LFBNP-8Ø2	802	8.0	80	0.6	0.80
04	UU16LFBNP-2Ø3	203	20	200	1.5	0.45
05	UU16LFBNP-3Ø3	303	30	300	2.5	0.35

※1. Rated current: The AC current at which the temperature rise is $\Delta t=40^{\circ}\text{C}$.($T_a=20^{\circ}\text{C}$).

X-ON Electronics

Largest Supplier of Electrical and Electronic Components

Click to view similar products for [Common Mode Chokes / Filters](#) category:

Click to view products by [Sumida](#) manufacturer:

Other Similar products are found below :

[PE-64683](#) [RD5122-6-9M6](#) [RD6137-6-7M5](#) [RD8147-16-3M0](#) [ST6118T-R](#) [FE3X025-10-7NL](#) [RD7147-25-0M7](#) [TCM0806G-350-2P-T](#)
[TCM0806G-650-2P-T](#) [IND-0110](#) [UAL21VR0802000](#) [UALSC023000000](#) [UALSC1020JH000](#) [UALSU10VD20010](#) [UALSU9VD070100](#) [36-00037](#) [UALW21HS072450](#) [UALSU9H0208000](#) [UAL24VK06450CH](#) [PLT10HH501100PNB](#) [PLT10HH401100PNB](#) [PLT10HH1026R0PNB](#)
[36-00029-01](#) [PE-67531](#) [TLH10UB](#) [113 0R5](#) [2752045447](#) [7351V](#) [CMF16-153131](#) [RD7147-6-6M0](#) [T8116NLT](#) [FE2X10-4-2NL](#) [36-00029-07](#)
[T8003NLT](#) [CTX01-13663](#) [CTX66-19521-R](#) [RC212-0.5-10M](#) [RC112-0.4-15M](#) [RC212-0.6-6M8](#) [RC212-0.4-15M](#) [RC112-0.3-30M](#)
[WTCF2012Z0M751PB](#) [PH9408.814NLT](#) [PAC6006.364NLT](#) [PAC6006.444NLT](#) [PAC6006.204NLT](#) [PH9407.204NLT](#) [PAC6006.264NLT](#)
[PH9408.105NLT](#) [PH9408.494NLT](#) [PAC6006.104NLT](#)