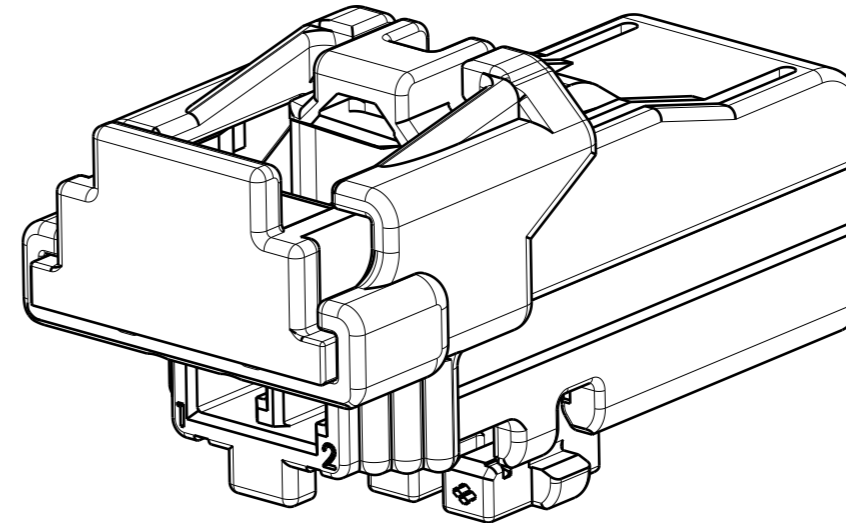


| INDEX   |      |
|---|------|
| PAGE TITLE  | PAGE |
| TITLE BLOCK / CONNECTOR SPECIFICATIONS            | 1    |
| REVISION BLOCK AND GENERAL NOTES                  | 2    |
| ASM DIAGRAM / KEYING TABLE                        | 3    |
| PART BLOCK  | 4    |
| EXPLODED VIEW / COMPONENT MATERIAL SPECIFICATIONS | 5    |
| DATUM LOCATIONS AND FEATURE CONTROL VIEWS         | 6    |
| CONNECTOR DIMENSIONS                              | 7    |
| CONNECTOR MATING INTERFACE AND PIN OUT            | 8    |

GM CONNECTOR DRE  
JEAN-PAUL VAGI



13532422  
SCALE 5:1

- CONNECTOR CLASSIFICATION:  
CLASSIFIED TO GMW3191 (REV 2007)-TC2/VC1/SC1/MF3
- TERMINAL CAVITY TYPE AND SIZE:  
TYCO MCON 1.2mm "CLEAN BODY" (2x)
- CONNECTOR VALIDATED WITH THE FOLLOWING TERMINALS:  
SUMITOMO 1.2mm, TIN PLATED  
APTIV 1.2mm OCS, TIN PLATED
- FOR TERMINAL SELECTION SEE:  
SUMITOMO 1.2mm, TAXI PRINT A-120815  
APTIV 1.2mm OCS, TAXI PRINT #13543112
- FOR TERMINAL CAVITY COMPATIBILITY REFERENCE CG-2740
- MATING INTERFACE P/NO:  
13588641  
13530128 (MBS VERSION)
- MAX WIRE O.D. SIZE:  
CAV1-2 =  $\phi 1.9\text{mm}$
- DRESS COVER NOT AVAILABLE FOR THIS APPLICATION
- ALIGNMENT RIB ADDED TO ALL 1.2mm CAVITIES ON REV 007

|              |  |  |  |   |     |                  |             |        |
|--------------|--|--|--|---|-----|------------------|-------------|--------|
|              |  | <br>CHANGE RESTRICTED<br>NO MANUAL CHANGES                                 |  | REFERENCE<br><br>SUMITOMO ELECTRIC<br>WIRING SYSTEMS, INC.                        |     | DATE             |             |        |
|              |  |  |  |   |     | DRAFTER A. HSIEH |             | 24AP14 |
| DO NOT SCALE |  | METRIC<br>DIMENSIONS SHOWN IN<br>MILLIMETERS UNLESS<br>OTHERWISE SPECIFIED |  | DRAWING NAME<br>1.2mm 2WAY UNSEALED<br>INLINE CONNECTOR FEMALE<br>(CONNECTOR ASM) |     | APVD1            |             |        |
|              |  |  |  |   |     | APVD2            |             |        |
|              |  |  |  |   |     | APVD3            |             |        |
|              |  |  |  |   |     | APVD4            |             |        |
|              |  | DRAWING NUMBER<br>13532422   |  | DWG STATUS  |     |                  | PAGE NUMBER |        |
|              |  |  |  | ST  | REV | PDI              | 1 OF 8      |        |
|              |  |  |  | R   | 007 |                  |             |        |

| PAGE  | DWG STATUS |    |     |     |     | REVISION HISTORY   | AUTH   | DR  | CK  | ENG |
|-------|------------|----|-----|-----|-----|--|--------|-----|-----|-----|
|       | DATE       | ST | REV | CHG | PDI |  |        |     |     |     |
|       | 150C13     | R  | 001 | 001 |     | INITIAL RELEASE PER EWO 1741854  | GAMFS  | ALH |     | ALH |
|       | 24NO14     | R  | 002 |     |     | PRODUCTION RELEASE PER EWO 2179204   | GAMFSE | ALH |     | ALH |
| 1     | 200C16     | R  | 003 |     |     | SUMITOMO TERMINALS ADDED PER EWO 2528108   | JTNLC  | JWA |     | JWA |
| 3,4,5 | 240C16     | R  | 004 |     |     | CPA REPLACED WITH NEW PART PER EWO 2484146   | JMSXK  | JWA |     | JWA |
| 7     | 28FE17     | R  | 005 |     |     | DIMENSIONS UPDATED DUE TO CPA CHANGE PER EWO 2484146   | JMSXK  | JWA |     | JWA |
| 3,4   | 01JN17     | R  | 006 |     |     | ADDED KEYWAYS C AND D PER EWO 2626967  | JYRYW  | JWA |     | JWA |
| 1-6   | 18DE18     | R  | 007 |     |     | REMOVED JST TERMINAL INFO; ADDED MBS MATING P/N; UPDATED NOTES WITH SERVICE INFO; CHANGED DELPHI TO APTIV; DESIGN CHANGE (RIB ADDITION); UPDATED INSTRUCTION MANUAL NO.; NEW GM P/Ns PER EWO 2908734 | KXXKT  | JWA | JPV | JWA |

NOTES:

UNLESS OTHERWISE SPECIFIED:

1. CONNECTOR SHIPPED WITH TPA IN PRE LOCK CONDITION
2. CONNECTOR SHIPPED WITH CPA IN PRE LOCK CONDITION
3. DRESS COVER NOT AVAILABLE FOR THIS APPLICATION
4. CLIP SLOT DRAWING = EWCAP-005-7 (MALE CONNECTOR ONLY)
5. INSTRUCTION MANUAL No. CB-787E
6. TERMINALS TO BE APPLIED IN COMPLIANCE WITH THE FOLLOWING SPECIFICATIONS:
  - SUMITOMO US1.2: SUMITOMO HANDLING MANUAL CONTROL# TB-699E
  - APTIV OCS 1.2 CB: APTIV TAXI PRINT 13543112
7. FOR SERVICE CABLE ASSEMBLIES, PLEASE USE THE FOLLOWING WIRE, TERMINALS, SEALS & MISC COMPONENTS AS LISTED BELOW:

CAVITIES 1-2: SUMITOMO TERM FEMALE 1.2mm  
 MAX WIRE SIZE: 0.75mm<sup>2</sup> ISO  
 TERMINAL PN#: 8240-0628  
 SEAL: N/A



PAGE TITLE  
 REVISION BLOCK

DRAWING NUMBER

13532422

DWG STATUS

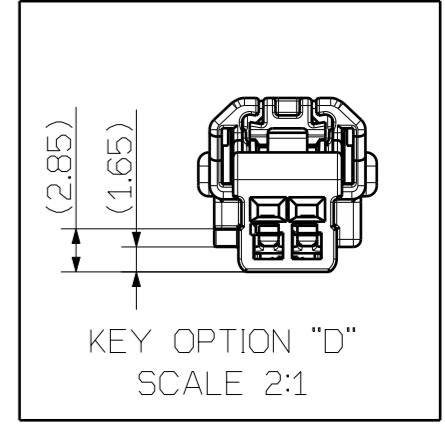
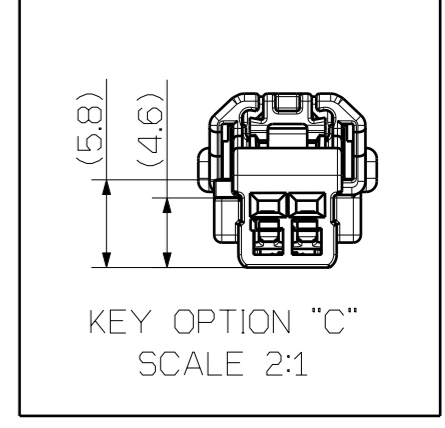
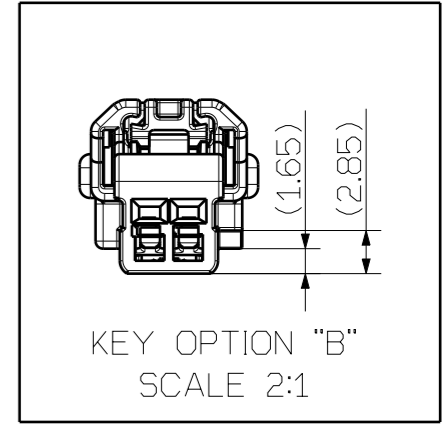
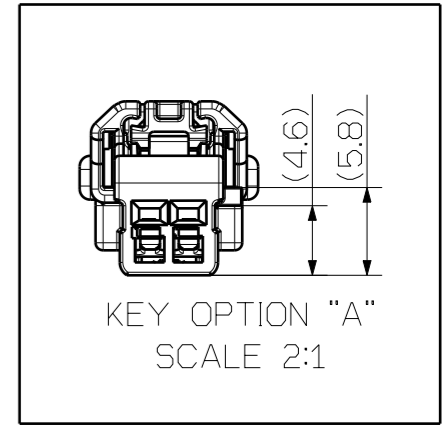
| ST | REV | PDI |
|----|-----|-----|
| R  | 007 |     |

PAGE NUMBER

2 OF 8

| ASSEMBLY          |             |  |
|-------------------|-------------|--|
| SUMITOMO PART NO. | GM PART NO. | DESCRIPTION                                    |
| 6098-8988         | 13532422    | 2WAY FEMALE UNSEALED<br>INLINE CONNECTOR KEY A |
| 6098-8989         | 13532423    | 2WAY FEMALE UNSEALED<br>INLINE CONNECTOR KEY B |
| 6098-8990         | 13532424    | 2WAY FEMALE UNSEALED<br>INLINE CONNECTOR KEY C |
| 6098-8991         | 13532425    | 2WAY FEMALE UNSEALED<br>INLINE CONNECTOR KEY D |

| ITEM | QUANTITY |   |   |   | DESCRIPTION      | COLOR   | SUMITOMO PART NO. | GM PART NO. |
|------|----------|---|---|---|------------------|---------|-------------------|-------------|
| 1    | 1        |   |   |   | FEMALE HOUSING A | BLACK   | 6098-8992         |             |
| 1    |          | 1 |   |   | FEMALE HOUSING B | GRAY    | 6098-8993         |             |
| 1    |          |   | 1 |   | FEMALE HOUSING C | BROWN   | 6098-8994         |             |
| 1    |          |   |   | 1 | FEMALE HOUSING D | GREEN   | 6098-8995         |             |
| 2    | 1        | 1 | 1 | 1 | TPA              | NATURAL | 6910-7359         |             |
| 3    | 1        | 1 | 1 | 1 | CPA              | RED     | 6910-7891         |             |



PAGE TITLE  
ASSEMBLY DIAGRAM / KEYING TABLE

DRAWING NUMBER  
13532422

| DWG STATUS |     |     |
|------------|-----|-----|
| ST         | REV | PDI |
| R          | 007 |     |

PAGE NUMBER  
3 OF 8



|              |        |                         |        |          |               |             |     |    |     |     |  |           |                                       |                |
|--------------|--------|-------------------------|--------|----------|---------------|-------------|-----|----|-----|-----|--|-----------|---------------------------------------|----------------|
| 2WAY INLINE  | A      | BLACK                   |        | 1        | RD            | 13532422    |     |    | 007 |     |  | 0.00125   | 2WAY UNSEALED INLINE FEMALE CONNECTOR | KEY OPTION "A" |
| 2WAY INLINE  | B      | GRAY                    |        | 1        | RD            | 13532423    |     |    | 007 |     |  | 0.00125   | 2WAY UNSEALED INLINE FEMALE CONNECTOR | KEY OPTION "B" |
| 2WAY INLINE  | C      | BROWN                   |        | 1        | RD            | 13532424    |     |    | 007 |     |  | 0.00125   | 2WAY UNSEALED INLINE FEMALE CONNECTOR | KEY OPTION "C" |
| 2WAY INLINE  | D      | GREEN                   |        | 1        | RD            | 13532425    |     |    | 007 |     |  | 0.00125   | 2WAY UNSEALED INLINE FEMALE CONNECTOR | KEY OPTION "D" |
| ABBREVIATION | CODING | COLOR OF LOCKING DEVICE | REMARK | DWG ITEM | DWG RLTN SHIP | PART NUMBER | DLS | ST | REV | PDI |  | MASS (kg) | PART NAME                             | NOTES          |

PARTS SHOWN ON DRAWING

|  |            |                |            |    |     |             |     |
|--|------------|----------------|------------|----|-----|-------------|-----|
|  | PAGE TITLE | DRAWING NUMBER | DWG STATUS |    |     | PAGE NUMBER |     |
|  | PART BLOCK |                | 13532422   | ST | REV |             | PDI |
|  |            |                |            | R  | 007 |             |     |

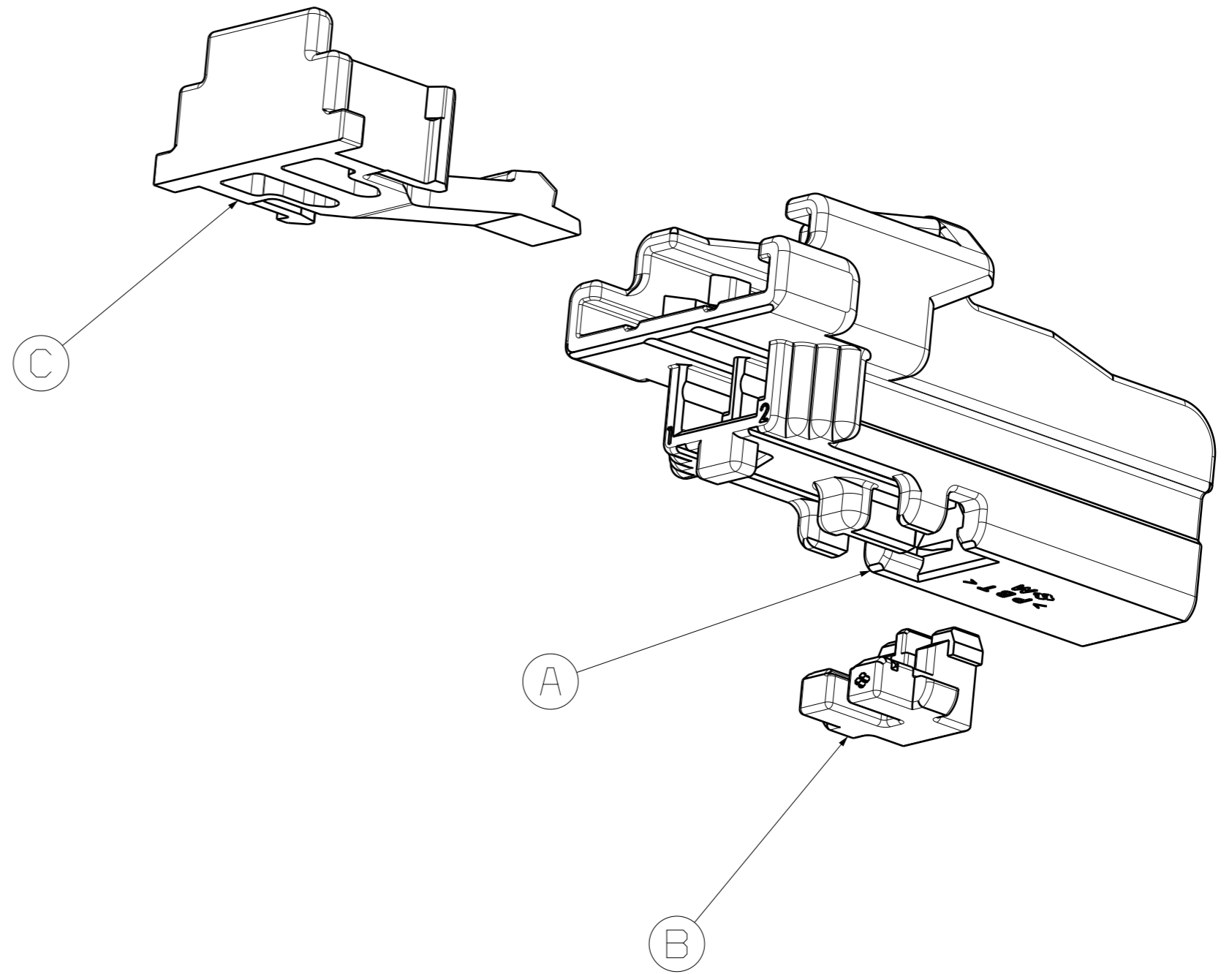
ABBREVIATION:

MATING PART: 13588641  
13530128 (MBS VERSION)

(A) HOUSING  
MATERIAL: PBT  
COLOR: BLACK (KEY "A")  
GRAY (KEY "B")  
BROWN (KEY "C")  
GREEN (KEY "D")

(B) TPA  
MATERIAL: PBT  
COLOR: NATURAL

(C) CPA  
MATERIAL: PBT  
COLOR: RED



PAGE TITLE  
SPECIFICATION

DRAWING NUMBER

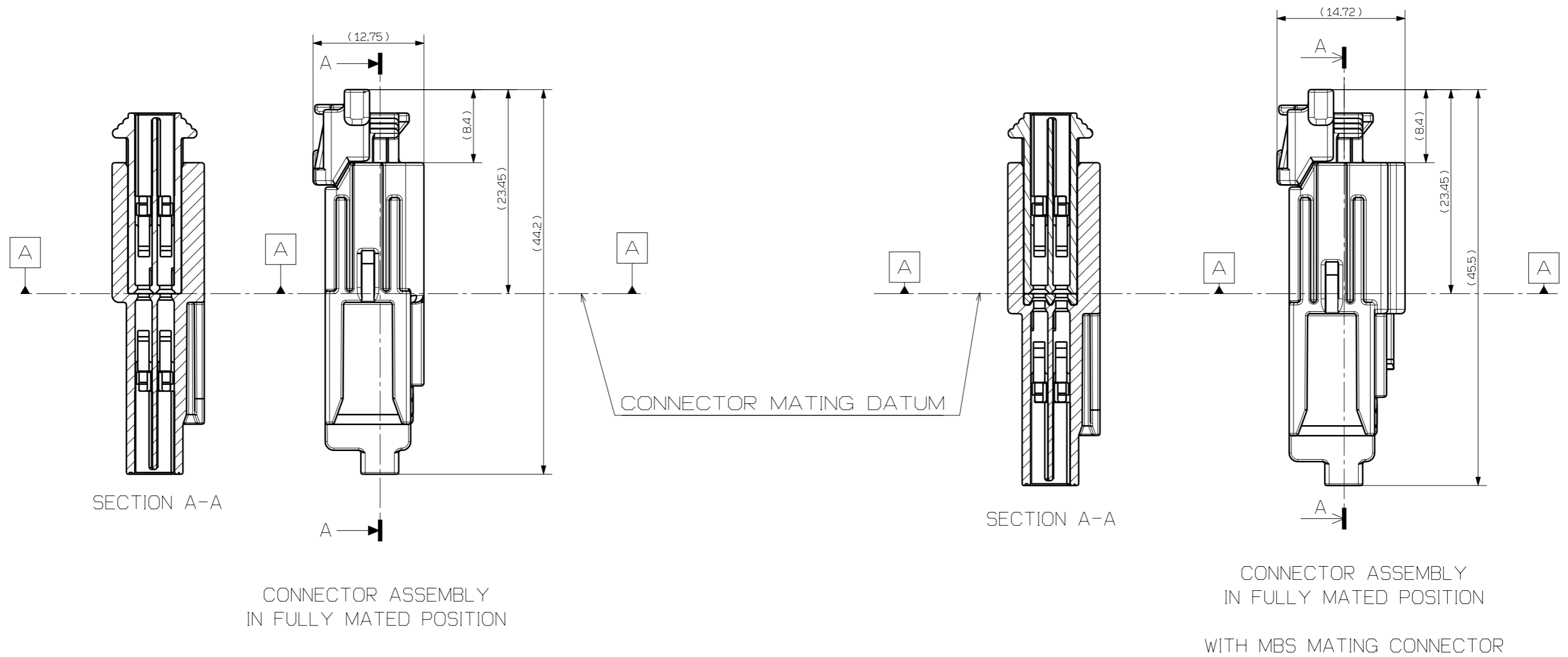
13532422

DWG STATUS

| ST | REV | PDI |
|----|-----|-----|
| R  | 007 |     |

PAGE NUMBER

5 OF 8



PAGE TITLE  
LOCATION AND PACKAGING DIMENSIONS  
REFERENCE INTERFACE DATUM A

DRAWING NUMBER

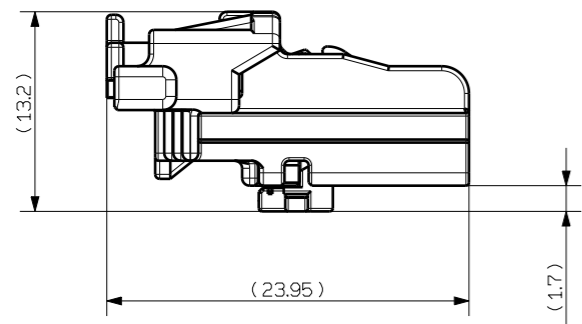
13532422

DWG STATUS

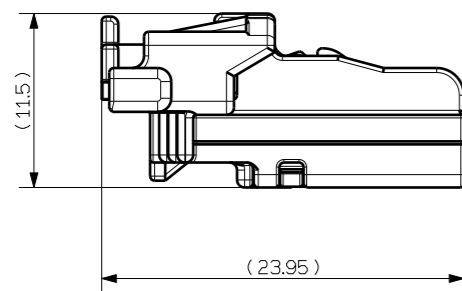
| ST | REV | PDI |
|----|-----|-----|
| R  | 007 |     |

PAGE NUMBER

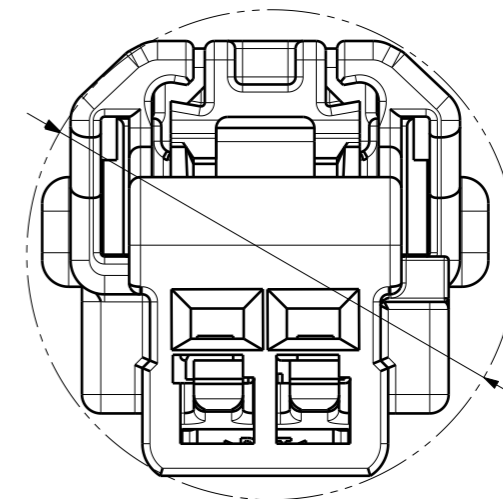
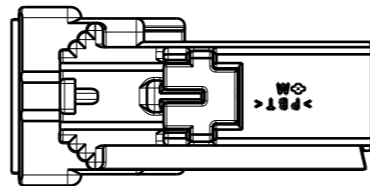
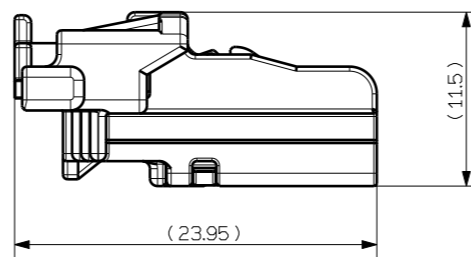
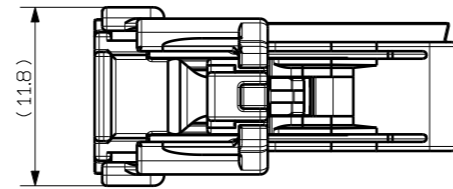
6 OF 8



AS SHIPPED TO HARNESS SUPPLIER  
 TPA IN PRESTAGE POSITION  
 CPA IN PRESTAGE POSITION



AS SHIPPED TO GM VAP  
 TPA IN LOCKED POSITION  
 CPA IN PRESTAGE POSITION



PASS THROUGH HOLE  
 AS SHIPPED TO GM  
 (TPA IN LOCKED POSITION)

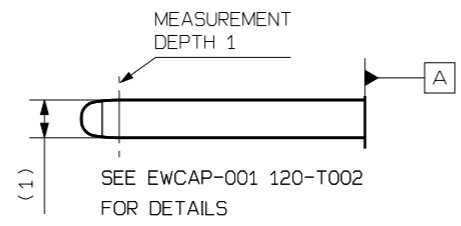
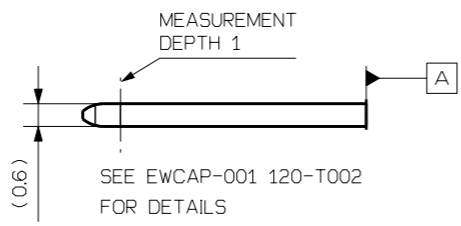
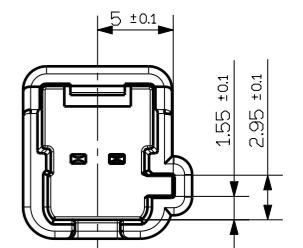
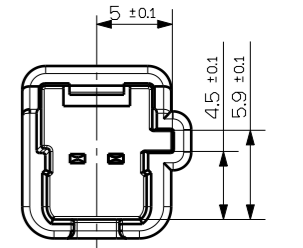
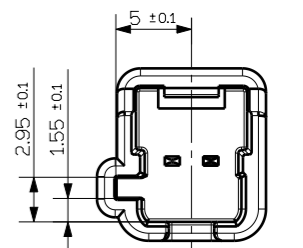
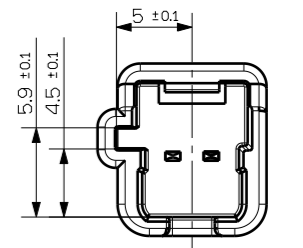
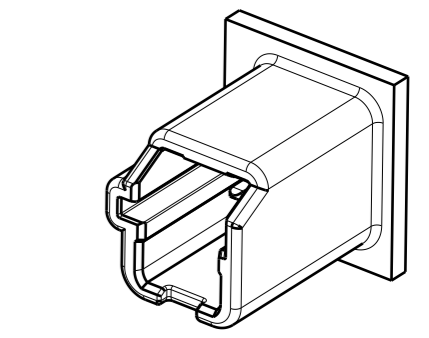
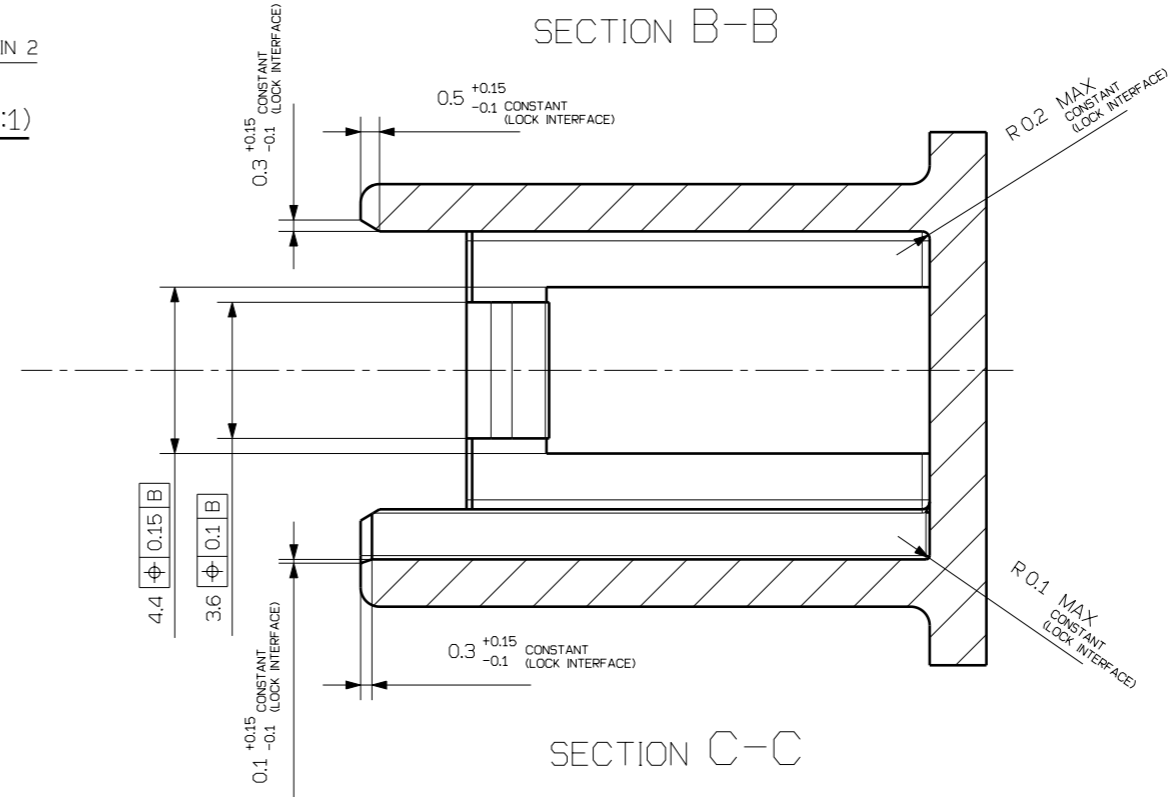
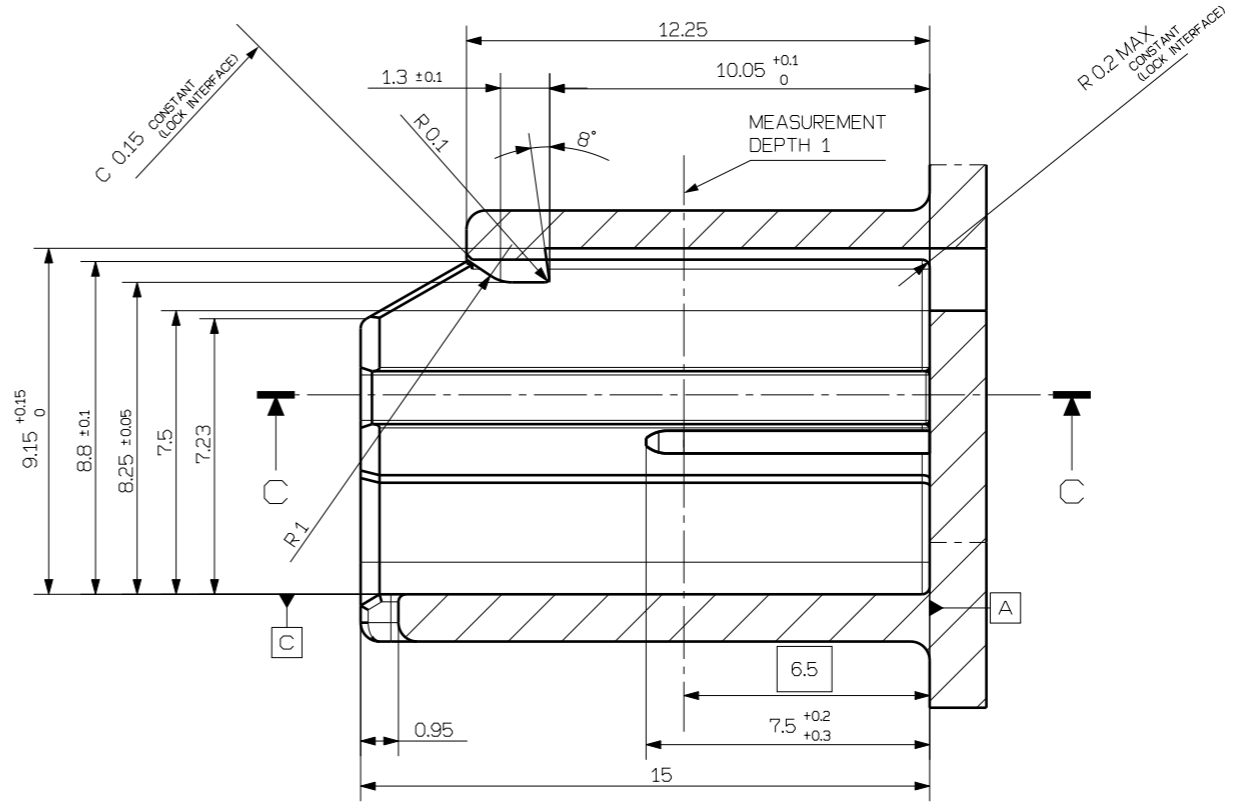
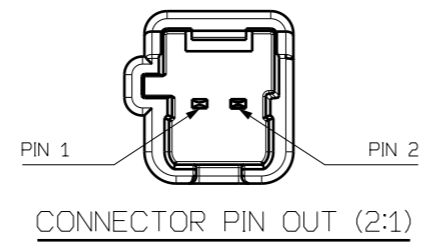
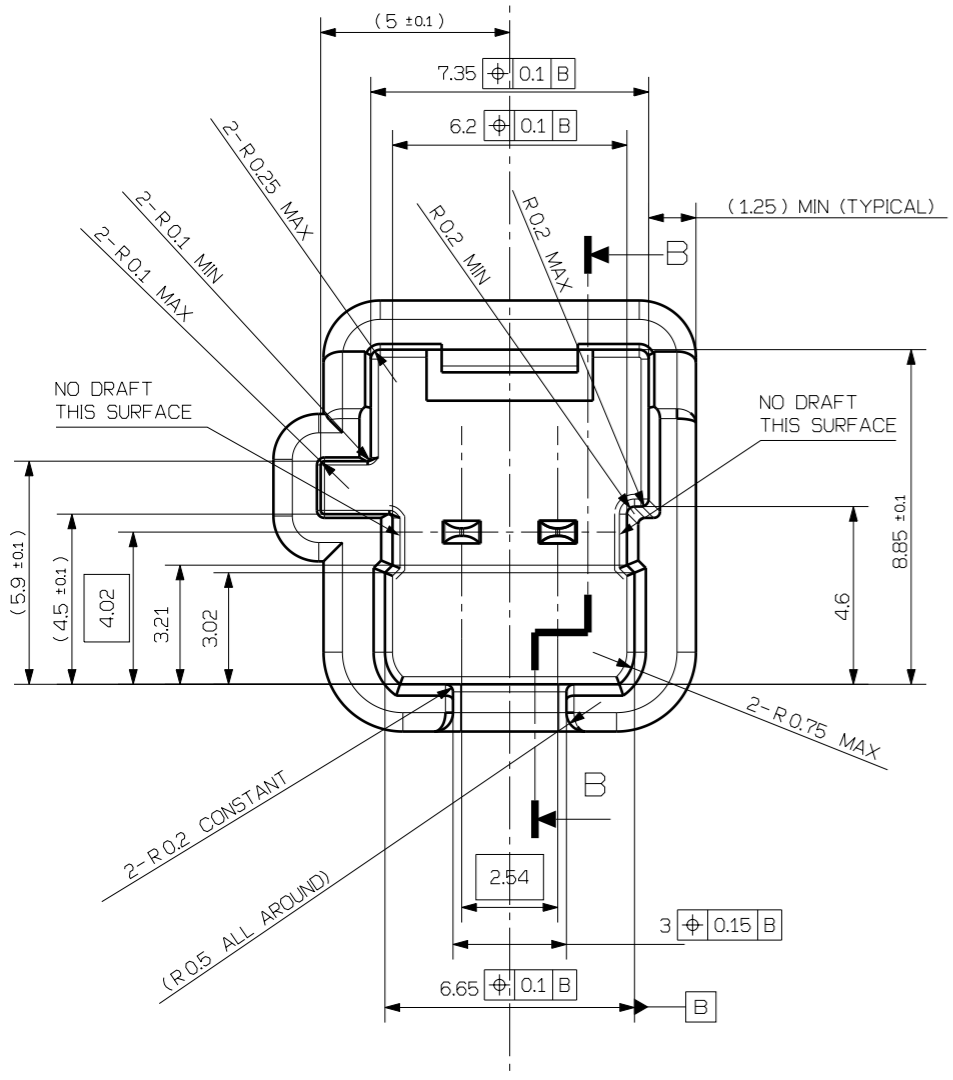


PAGE TITLE  
 CONNECTOR DIMENSIONS

DRAWING NUMBER  
 13532422

| DWG STATUS |     |     |
|------------|-----|-----|
| ST         | REV | PDI |
| R          | 007 |     |

PAGE NUMBER  
 7 OF 8



TERMINAL ALIGNMENT

| GENERAL TOLERANCE |       |       |
|-------------------|-------|-------|
| OVER              | UNDER |       |
|                   | 10    | ±0.15 |
| 10                | 20    | ±0.2  |
| ANGLE             |       | ±1°   |

- NOTES:
1. WALL THICKNESS: (1.25)
  2. ALL UNSPECIFIED RADII: 0.25
  3. 0.25 MAX RADIUS PERMISSIBLE ON ALL EDGES SHOWN AS SHARP
  4. DRAFT PERMISSIBLE FROM DATUM A 0.5° MAX EXCEPT WHERE SPECIFIED
  5. FOR HEADER BLADE INFORMATION SEE DRAWING EWCAP-001 (120-T002)



PAGE TITLE  
CONNECTOR MATING INTERFACE AND PIN OUT

DRAWING NUMBER  
13532422

| DWG STATUS |     |     |
|------------|-----|-----|
| ST         | REV | PDI |
| R          | 007 |     |

PAGE NUMBER  
8 OF 8



## X-ON Electronics

Largest Supplier of Electrical and Electronic Components

*Click to view similar products for [Automotive Connectors](#) category:*

*Click to view products by [SUMITOMO](#) manufacturer:*

Other Similar products are found below :

[003-018-000](#) [60993906-B](#) [72.330.1035.1](#) [776880-1](#) [827153-1](#) [9-1326729-8](#) [9-221607-5](#) [925474-1](#) [928905-1](#) [964562-4](#) [968782-1](#) [12004468](#)  
[12004475-L](#) [12004483](#) [12052466](#) [12066163](#) [12015909](#) [12077753](#) [1-21030-1](#) [12047957](#) [12047958](#) [12084688](#) [12185550](#) [12336-12](#) [1-](#)  
[326211-1](#) [13681974](#) [13688972](#) [13755420](#) [13779834](#) [13783086](#) [13843152](#) [13522378](#) [13581967](#) [13669624](#) [13675513](#) [13753471](#) [13946876](#)  
[13953457](#) [13955963](#) [13964573](#) [13971791](#) [13790534-L](#) [13797473](#) [13805590](#) [13888202](#) [1428188-1](#) [1437287-3](#) [1428188-2](#) [DS07-19S-5020](#)  
[1456983-5](#)