

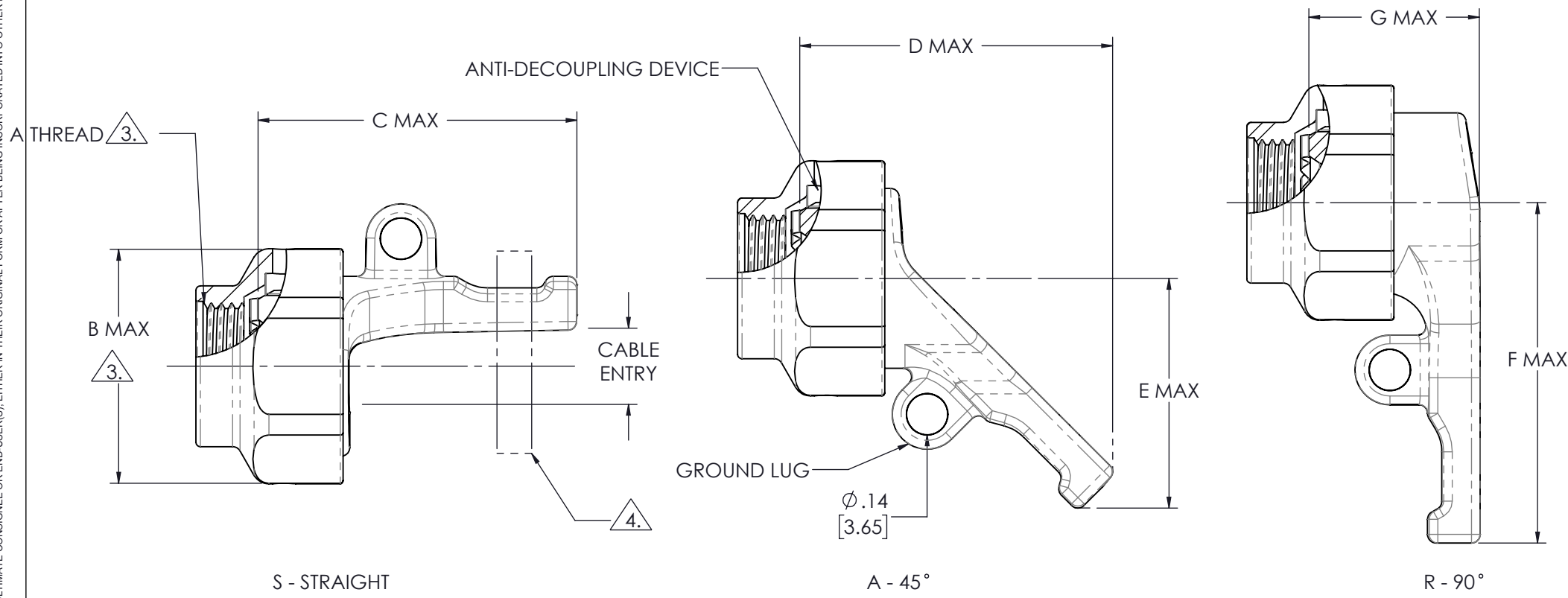
THESE ITEMS ARE CONTROLLED BY THE U.S. GOVERNMENT AND AUTHORIZED FOR EXPORT ONLY TO THE COUNTRY OF ULTIMATE DESTINATION FOR USE BY THE ULTIMATE CONSIGNEE OR END-USER(S) HEREIN IDENTIFIED. THEY MAY NOT BE RESOLD, TRANSFERRED, OR OTHERWISE DISPOSED OF, TO ANY OTHER COUNTRY OR TO ANY PERSON OTHER THAN THE AUTHORIZED ULTIMATE CONSIGNEE OR END-USER(S), EITHER IN THEIR ORIGINAL FORM OR AFTER BEING INCORPORATED INTO OTHER ITEMS, WITHOUT FIRST OBTAINING APPROVAL FROM THE U.S. GOVERNMENT OR AS OTHERWISE AUTHORIZED BY U.S. LAW AND REGULATIONS. ECCN EAR99

TABLE I										
SHELL SIZE		A THREAD		B MAX	C MAX	D MAX	E MAX	F MAX	G MAX	CABLE ENTRY MAX
CODE F6	CODE F7	CODE F6	CODE F7							
08	09	.438 - 28 UNEF	M12 X 1.0 - 6H	.86	1.14 (29.0)	1.14 (29.0)	.83 (21.2)	1.22 (31.0)	.75 (19.1)	.25 (6.35)
10	11	.562 - 24 UNEF	M15 X 1.0 - 6H	.98	1.14 (29.0)	1.14 (29.0)	.90 (22.8)	1.29 (32.8)	.75 (19.1)	.38 (9.65)
12	13	.688 - 24 UNEF	M18 X 1.0 - 6H	1.16	1.20 (30.5)	1.14 (29.0)	.95 (24.2)	1.62 (41.1)	.75 (19.1)	.50 (12.70)
14	15	.812 - 20 UNEF	M22 X 1.0 - 6H	1.28	1.38 (35.1)	1.64 (41.7)	1.37 (34.7)	1.66 (42.2)	.75 (19.1)	.63 (16.00)
16	17	.938 - 20 UNEF	M25 X 1.0 - 6H	1.41	1.38 (35.1)	1.64 (41.7)	1.43 (36.3)	1.72 (43.7)	.75 (19.1)	.75 (19.05)
18	19	1.062 - 18 UNEF	M28 X 1.0 - 6H	1.52	1.44 (36.6)	1.74 (44.2)	1.58 (40.0)	1.72 (43.7)	.75 (19.1)	.81 (20.57)
20	21	1.188 - 18 UNEF	M31 X 1.0 - 6H	1.64	1.57 (39.9)	1.74 (44.2)	1.63 (41.5)	1.79 (45.5)	.75 (19.1)	.94 (23.88)
22	23	1.312 - 18 UNEF	M34 X 1.0 - 6H	1.77	1.69 (42.9)	1.74 (44.2)	1.70 (43.1)	1.85 (47.0)	.75 (19.1)	1.06 (26.92)
24	25	1.438 - 18 UNEF	M37 X 1.0 - 6H	1.89	1.83 (46.5)	1.95 (49.5)	1.91 (48.4)	1.91 (48.5)	.75 (19.1)	1.19 (30.23)

REVISIONS			
REV.	DESCRIPTION	DATE	APPROVED

TABLE II	
FINISH CODE	FINISH DESCRIPTION
XB	ADAPTER BODY - NO PLATING, BASE MATERIAL (NON-CONDUCTIVE), NATURAL
XM	ADAPTER BODY - NO PLATING, BASE MATERIAL (NON-CONDUCTIVE), BLACK
XN	ELECTROLESS NICKEL $\triangle 5.$ $\triangle 6.$

TABLE III	
CONNECTOR DESIGNATOR	APPLICABLE CONNECTOR SERIES
F6	MIL-DTL-38999 SERIES I & II
F7	MIL-DTL-38999 SERIES III & IV



EXAMPLE PART NUMBER

09 F6 S 721 XB 16 G

- GROUND LUG OPTION $\triangle 5.$ $\triangle 6.$
- OMIT IF NONE
- SHELL SIZE (TABLE I)
- FINISH CODE (TABLE II)
- BASIC PART NUMBER
- S = STRAIGHT, A = 45°, R = 90°
- CONNECTOR DESIGNATOR (TABLE III)
- PRODUCT SERIES

- NOTES:**
- IDENTIFIED PER MIL-STD-130.
 - MATERIAL/FINISH: ADAPTER COMPONENTS - THERMOPLASTIC/UNPLATED OR PLATED
 - $\triangle 3.$ DIMENSIONS PER CONNECTOR CODE.
 - $\triangle 4.$ CABLE IS SECURED USING AN MS3367 TIE STRAP OR EQUIVALENT.
 - $\triangle 5.$ COUPLING RING WILL BE PROVIDED IN BLACK MATERIAL FOR PLATED PARTS.
 - $\triangle 6.$ GROUND LUG OPTION WILL BE PROVIDED WITH ELECTROLESS NICKEL PLATING

UNLESS OTHERWISE SPECIFIED DIMENSIONS ARE IN INCHES (MILLIMETERS IN PARENTHESIS ARE FOR REFERENCE ONLY)

TOLERANCES		
FRAC.	DECIMAL	ANGLES
± 1/32	±.X .030 (.76) ±.XX .015 (.37) ±.XXX .010 (.25)	± 2°

TITLE	SIGNATURE	DATE	Sunbank <small>Joslyn Sunbank Company, LLC</small> ADAPTER ASSEMBLY
ENG.	tdavis	1/23/2019	
CHECK	chare	1/23/2019	
APPVD.	ddeJong	1/23/2019	
CODE IDENT.	PART NO.	REV.	
07418	09XX721	'	
SCD. NO.:	DOC. NO.:	SCALE:	SHT.:
	59417		1 OF 1

THE INFORMATION DISCLOSED HEREIN WAS ORIGINATED BY AND IS THE PROPERTY OF JOSLYN SUNBANK CO., LLC. AND, EXCEPT FOR USES EXPRESSLY GRANTED TO THE UNITED STATES GOVERNMENT, JOSLYN SUNBANK CO., LLC RESERVES ALL PATENT, PROPRIETARY, DESIGN, USE, SALE, MANUFACTURING, AND REPRODUCTION RIGHTS THERETO. THIS DOES NOT APPLY TO VENDOR PARTS.

X-ON Electronics

Largest Supplier of Electrical and Electronic Components

Click to view similar products for [Circular MIL Spec Backshells](#) category:

Click to view products by [Sunbank](#) manufacturer:

Other Similar products are found below :

[5M2920-3CW](#) [60-036152-022](#) [610HS012M15](#) [M28840/504WA](#) [M28840/805WB](#) [M28840/809WA](#) [M28840/815WA](#) [M28840/816WA](#)
[627AS017M14](#) [627MA124M14S](#) [655HS002NF11](#) [CW3899-000](#) [M85049/10-134S](#) [M85049/10-17S](#) [M85049/10-33S](#) [M85049/10-94W](#)
[M85049/11-28N](#) [M85049/11-37N](#) [M85049/11-53N](#) [M85049/11-63N](#) [M85049/120-14W](#) [M85049/124-23W](#) [M85049/1720N04B](#)
[M85049/1821W05C](#) [M85049/1825W06C](#) [M85049/1919N05](#) [M85049/23-74W](#) [M85049/24-71N](#) [M85049/25-47N](#) [M85049/25-94W](#)
[M85049/27S12N](#) [M85049/39-11S](#) [M85049/39-17S](#) [M85049/39-9S](#) [M85049/6-10B](#) [M85049/6-19N](#) [M85049/6-20B](#) [M85049/77-20W04](#)
[M85049/78-11N03](#) [M85049/78-15W02](#) [M85049/78-17N04](#) [M85049/78-19N05](#) [M85049/79-19N07](#) [M85049/79-25N04](#) [M85049/82-18N02](#)
[M85049/82-22P02](#) [M85049/83-10W03](#) [M85049/84-20N03](#) [M85049/8-48N](#) [M85049/85-24N01](#)