

This document is the property of Specialty Connector Co. The design and specifications disclosed hereon are proprietary and shall not be reproduced nor copied nor used for manufacture or sale of devices without expressed written authorization

PART NO. 23P104-

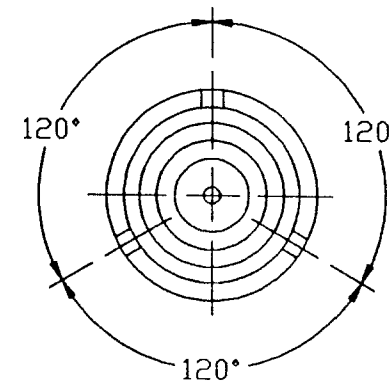
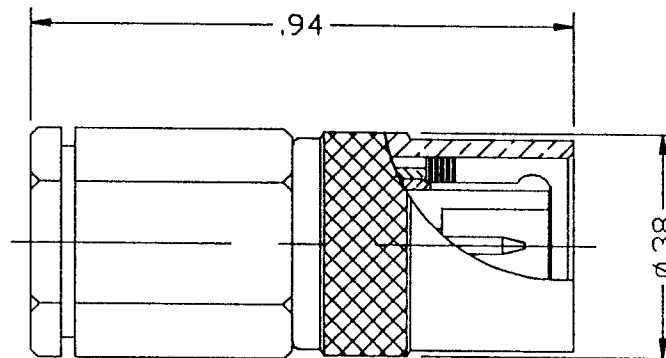
MATERIAL BODY: BRASS, QQ-B-626, ALLOY 360
 CONTACT: BRASS, QQ-B-626, ALLOY 360
 INSULATOR: PTFE FLUOROCARBON, ASTM-D1710

IMPEDANCE: 50 OHMS
 FREQUENCY RANGE: DC-10 GHZ
 VOLTAGE RATING: 1,500 VRMS
 INSULATION RESISTANCE: 5,000 MEGOHMS

DASH FINISH: CABLE:
 -1 SILVER RG141, RG58
 -2 GOLD RG141, RG58
 -5 IP23 RG141, RG58

FORCE TO ENGAGE/DISENGAGE
 LONGITUDINAL: 2.5 LBS MAX.
 TORQUE: 2 IN-LBS MAX.

CONNECTOR MEETS M55235



COVER DRAWING

SCALE X 3 (4837)

APPROVED	A	TOLERANCES EXCEPT AS NOTED DIM. .XX ±.020 .XXX ±.005 ANGLES ±1° CONC. .005 TIR SURF. 64 √	DRAWN BY B THOMMEN	DATE 2-17-94	TITLE TPS PLUG
	J MOHAMMED 2-17-94		CHECKED BY J MOHAMMED	DATE 2-17-94	SPECIALTY CONNECTOR CO. Div. of High Voltage Engineering Corp. 2100 EARLYWOOD DRIVE FRANKLIN, INDIANA 46131
			FSCM NO. 24931	23P104-	

X-ON Electronics

Largest Supplier of Electrical and Electronic Components

Click to view similar products for [RF Connectors / Coaxial Connectors](#) category:

Click to view products by [Sunbank](#) manufacturer:

Other Similar products are found below :

[8915-1511-000](#) [89674-0827](#) [6001-7071-019](#) [6002-7051-003](#) [6002-7551-202](#) [6059674-1](#) [619550-1](#) [630059-000](#) [M39030/3-01N](#) [6500-7071-046](#) [6769](#) [CX050L2AQ](#) [7002-1541-010](#) [7002-1542-011](#) [7004-1512-000](#) [7009-1511-004](#) [7010-1511-000](#) [7029-1511-060](#) [7101-1541-010](#) [7101-1571-002](#) [7105-1521-002](#) [7145-1521-002](#) [7203-1571-003](#) [7209-1511-011](#) [7210-1511-015](#) [7210-1511-019](#) [73137-5015](#) [73216-2241](#) [73404-2300](#) [7405-1521-005](#) [7405-1521-802](#) [8527](#) [8547](#) [FS11V](#) [877931](#) [8808-1511-001](#) [9074-9513-000](#) [9101-9573-002](#) [910A205F](#) [9130-9573-002](#) [PL11SC-026](#) [PL375-33](#) [PL40-5](#) [PL74C-221](#) [PL75MC-217](#) [PL803-7](#) [1200690078](#) [1-201144-1](#) [R107003010W](#) [R110A172100](#)