

● **General**

Each connector consists of:

- an aluminium alloy (831/832) or stainless steel (8 N 35) shell
- one piece insulator, normal use (831) or one piece high temperature insulator (832 and 8 N 35)
- gold-plated contacts, crimp or solder (Ø 1.5 mm and 2.5 mm).

The plug or the receptacle may be fitted with the male or female insulator.

The contacts are removable and are supplied in a bag with the connector.

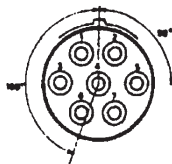
● **Mechanical characteristics**

Model	831	832	8 N 35
Shell	aluminium alloy		stainless steel
Plating	cadmium-plated, yellow		passivated
Insulator and seal	neoprene elastomer	silicone elastomer	silicone elastomer
Temperature operating peak	- 40° C to + 85° C + 125° C	- 55° C to + 160° C + 200° C	- 55° C to + 160° C + 200° C
Sealing	under 2 m of water for 48 hours		mated connector with backshell under 0.5 MPa (5 bar) water pressure
Mechanical endurance	500 operations		500 operations
Radiation resistance			250 KGy
Resistance to spraying products for decontamination			yes
Salt spray resistance	48 h	48 h	168 hours

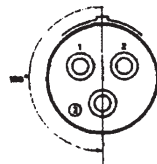
● **Electrical characteristics (models 831 - 832 - 8 N 35)**

- Maximum rating per contact : Ø 1,5 mm - 11 A
Ø 2,5 mm - 25 A
- Contact resistance : Ø 1,5 mm : ≤ 1,5 m Ω
Ø 2,5 mm : ≤ 0,6 m Ω
- Insulation resistance : ≥ 5 000 M Ω under 500 Vdc
- Withstanding voltage : 2 000 Vrms

● **Contact layouts and orientation, male insulator front view**



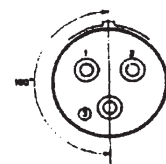
21 7 contacts Ø 1,5 mm



23 3 contacts Ø 2,5 mm



24
4 Ø 2,5



26 3 contacts Ø 1,5 mm

Issue 1	Date 11/93		EDF
			Direction de l'Équipement Electricité de France Service Etudes et Projets Thermiques et Nucléaires
EQUIPMENT IDENTIFICATION SHEET	SEALED SCREW-TYPE CONNECTOR SOURIAU MODELS 831, 832 AND 8 N 35		PAGE : 2/6

CONNECTORS WITH OR WITHOUT BACKSHELLS

Example : **832 21 1 5 0 SP2 X**

Model	high temperature _____ 832 ____ 8N35 environmental temperature _____ 831
Shell size	layout 21 _____
	23 <i>et 24</i> _____
	26 _____
Shell type	1 - flange receptacle round fixing, 4 screws _____
	8 - plug _____
Contact type	1 - male, crimp _____
	3 - male, solder _____
	5 - female, crimp _____
	7 - female, solder _____
Backshell type	0 - without backshell _____
	2 - backnut _____
	1 - straight backshell with collet & sealing gland 7 - elbow backshell with collet & sealing gland _____
Specification index	Admissible cable diameter :
	∅ 14 to 15 mm : index A _____
	∅ 12 to 14 mm : index B _____
	∅ 10 to 12 mm : index C _____
	∅ 6 mm : index D _____
	∅ 7,5 mm to 9 mm : index E _____
	In the case of a connector without backshell or with a backnut, nothing is indicated SP 2 mandatory index (for 832)
	For delivery with large barrel contacts : X = number of contacts _____

BACKSHELLS
(mandatory for 831 - 832)

Ex : **831 20 007 B**

Model	_____
Shell size	20 - (for layouts 21-23-26) _____
Backshell type	002 - backnut _____
	001 - straight backshell with collet & sealing gland _____
	007 - elbow backshell with collet & sealing gland _____
Specification	for backshell with collet only
	cable outlet diameter :
	∅ 14 to 15 mm : no specification _____
	index A _____
	∅ 12 to 14 mm : index B _____
	∅ 10 to 12 mm : index C _____
∅ 6 mm : index D _____	
∅ 7,5 to 9 mm : index E _____	

CONTACTS

3.2 - 4.1.02

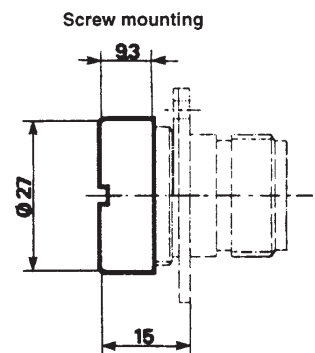
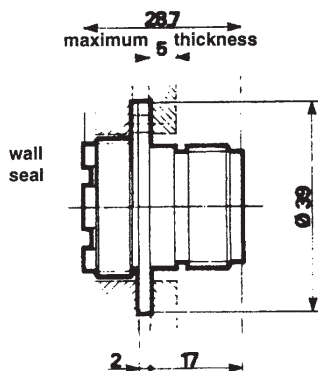
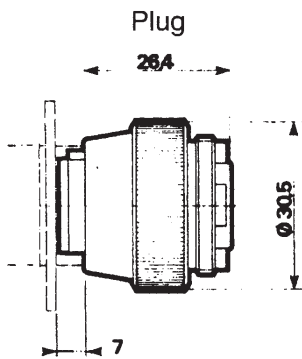
Type of contacts	Male contacts	Female contacts	Admissible section min/max (mm ²)	max sleeving \varnothing (mm)	End reducer Part number	Admissible section with end reducer (mm ²)	
\varnothing 1,5	small barrels crimp	8400-307 AKM	8400-9019-900	0,38/0,93	3,30	63584-011	0,06/0,21
	large barrels crimp	8400-144 AKM	8400-9018-900	1,34/1,91	3,30		
	solder	8400-474 KM	8400-622 A 900	1,91	3,30		
\varnothing 2,5	crimp	8400-270 AKM	8400-147 A 900	3,18/5,30	5,10	8400-1665-014	1,91
	solder	8300-235 KM	8300-236-900	5,30	5,10		

DIMENSIONS

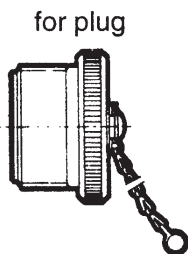
Model 8 N 35

Type 1 receptacle - Screw mounting

Backnut type 2

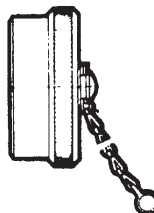


Caps



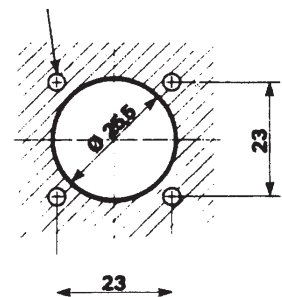
part number : 8 N 35 - 20 - 22

for receptacle




part number : 8 N 35 - 20 - 12

Panel cut-out for mounting of type 1 receptacle



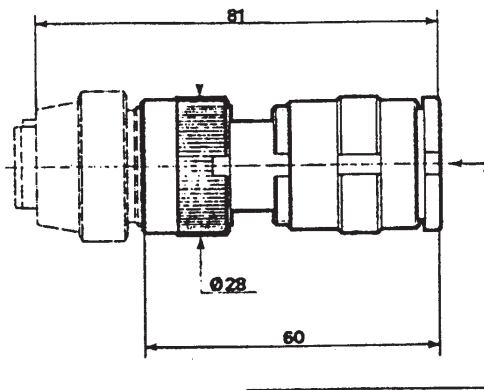
Panel Gasket for type 1 receptacle : part number 8300 - 474 (8 N 35)

Issue 1	Date 11/93	 Direction de l'Equipe- ment Electricite de France Service Etudes et Projets Thermiques et Nucleaires
EQUIPMENT IDENTIFICATION SHEET	SEALED SCREW-TYPE CONNECTOR SOURIAU MODELS 831, 832 AND 8 N 35	PAGE : 4/6

Model 8 N 35

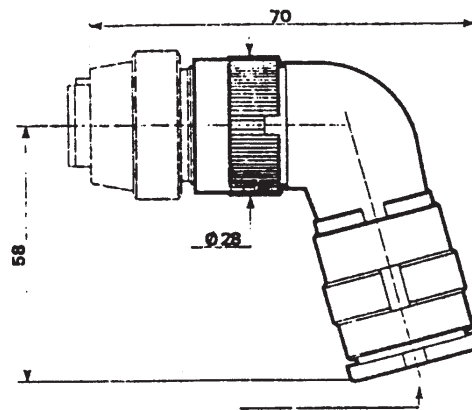
Backshells

Straight backshell with collet and sealing gland



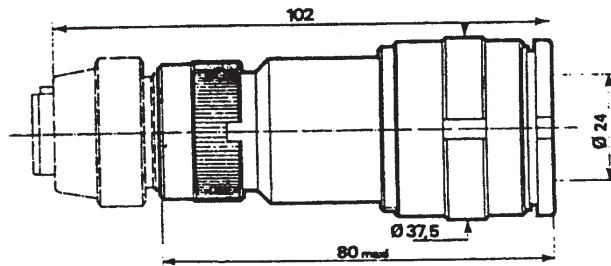
Ø of admissible cable : see identification code

Elbow backshell with collet and sealing gland



Ø of admissible cable : see identification code

SN type part number SN 860.21.102 *
straight backshell with collet and sealing gland
for Ø 24 mm cable



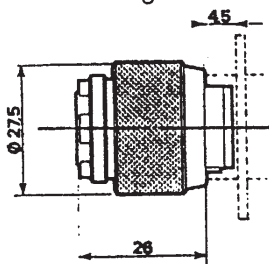
* Société Nouvelle de Connexion supply.

Models 831 - 832

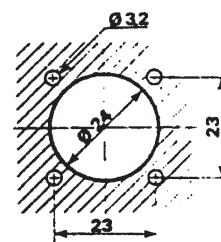
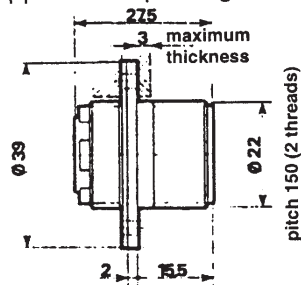
receptacle
supplied with panel gasket

Panel cut-out for receptacle fixing

Plug

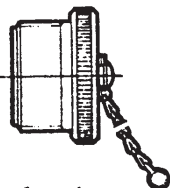


Caps

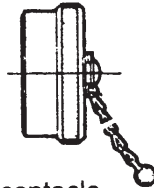


Flange seals for receptacle
connector 831 ref : 8300-124
(neoprene elastomer)

connector 832 ref : 8300-262
(silicone elastomer)



for plug
part number : 8300.22



for receptacle
part number : 8300.12

Issue

Date

1

11/93

EDF
Electricité
de France

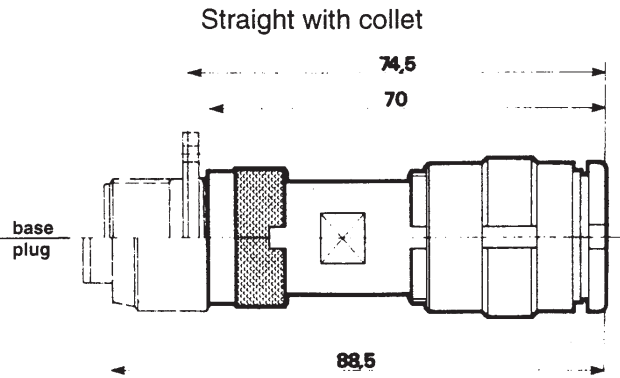
Direction de l'Équipement
Service Études et Projets
Thermiques et Nucléaires

EQUIPMENT
IDENTIFICATION
SHEET

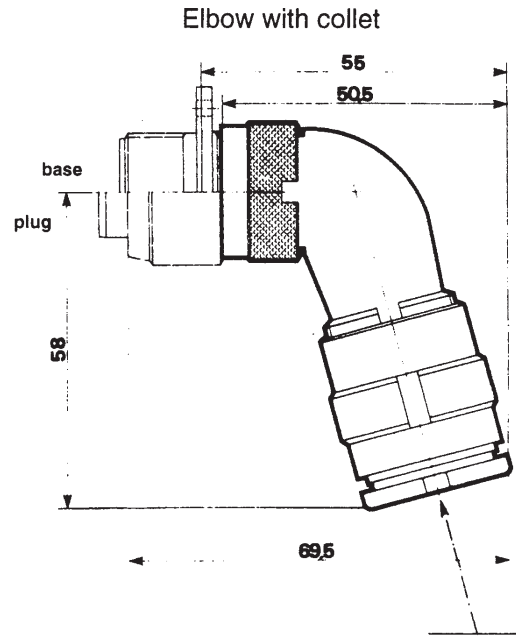
SEALED SCREW-TYPE CONNECTOR
SOURIAU MODELS 831, 832 AND 8 N 35

PAGE : 5/6

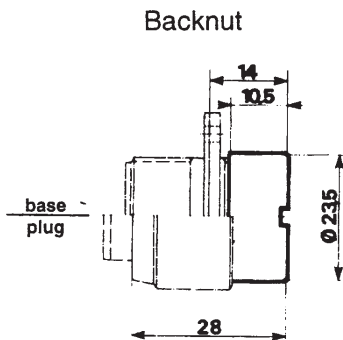
Backshells



∅ of admissible cable : see identification code



∅ of admissible cable : see identification code



TOOLS (models 8 N 35, 831 and 832)

Contact ∅	Crimping tool	Locators	Insertion tools		Extraction tools	
			male contacts	female contacts	male contacts	female contacts
∅ 1,5 small barrels	MS 3191-1 Souriau 8465	8400-1607	8400-482 A	8400-482 A	8400-448	8400-446
∅ 1,5 large barrels	MS 3191-1 Souriau 8465	MS 3191-16 A	8400-482 A	8400-482 A	8400-448	8400-446
∅ 2,5	MS 3191-1 Souriau 8465 ou 8476-200	8400-1610 8476-201	8400-482 A	8400-482 A	8400-448	8400-322
∅ 1,5 small and large barrels	M22520/1.01 Souriau 8365	M22520/1.02 Souriau 8635-02				

Backshell tightening spanner	8201-400 or 8400-447
------------------------------	----------------------

Issue 1	Date 11/93		EDF
			Direction de l'Equipe- ment Electricité de France Service Etudes et Projets Thermiques et Nucleaires
EQUIPMENT IDENTIFICATION SHEET	SEALED SCREW-TYPE CONNECTOR SOURIAU MODELS 831, 832 AND 8 N 35		PAGE : 6/6

X-ON Electronics

Largest Supplier of Electrical and Electronic Components

Click to view similar products for [Circular MIL Spec Connector](#) category:

Click to view products by [Sunbank](#) manufacturer:

Other Similar products are found below :

[0025-262-542](#) [0025-264-3014](#) [58-570121-04S](#) [0134-202-1200](#) [0134-207-1206](#) [0134-207-1800](#) [0134-207-2207](#) [0134-213-0806](#) [0134-213-1007](#) [0134-213-1009](#) [0134-213-1208](#) [0134-213-1800](#) [0134-213-2209](#) [0025-258-000](#) [015-9516-002](#) [60-042722-19P](#) [0114-201-1278](#) [602GB06EG24-61SN](#) [0134-201-1207](#) [0134-201-1806](#) [0134-201-2006](#) [0134-201-2007](#) [0134-201-2010](#) [0134-202-1400](#) [0134-207-0809](#) [0134-207-1208](#) [0134-207-2009](#) [0134-213-1006](#) [6104-207-2302](#) [6104-208-1902](#) [6104-215-0902](#) [6131-202-19149P](#) [6131-204-21149P](#) [6131-207-13149P](#) [6131-208-13149P](#) [6131-209-17149P](#) [6131-210-11149P](#) [6131-211-19149P](#) [6131-216-19149P](#) [6131-220-25149P](#) [6131-259-11149P](#) [6131-259-21149P](#) [6131-259-23149P](#) [6131-263-19149P](#) [6131-265-17149P](#) [6131-265-19149P](#) [CS3102A-20-15P](#) [CS3102C18-4P-472](#) [CS3106A-10SL-53S](#) [CS3106A-10SL-64S](#)