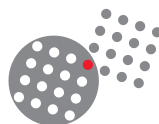


Outdoor High Speed Data Transmission

The ruggedized solution for outdoor data transmission in harsh environments facing increasing new needs of data information.

- 2 technical solutions for outdoor High Speed Data Transmission** ✓ Standard version with 4 contacts Ø 2.0 mm
Quadrax version with 2 cells
- Excellent Data Transmission** ✓ 1 Gbps per Quadrax contacts
100 Mbps with standard contacts
- Compliant to railway standards** ✓ NFF61030
I2F3 according to NFF16101 & NFF16102
(Fire & smoke standards)
- Standardization oriented** ✓ Standard shell
Standard contacts
Standard accessories



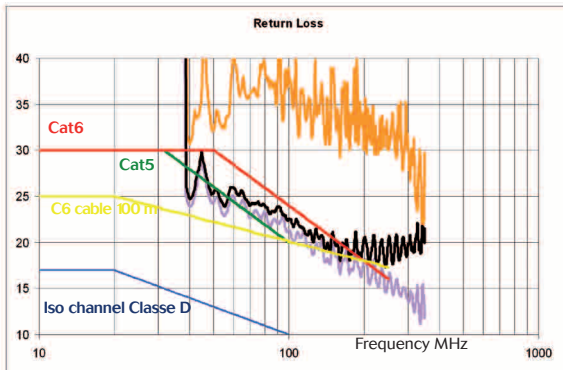


Technical features

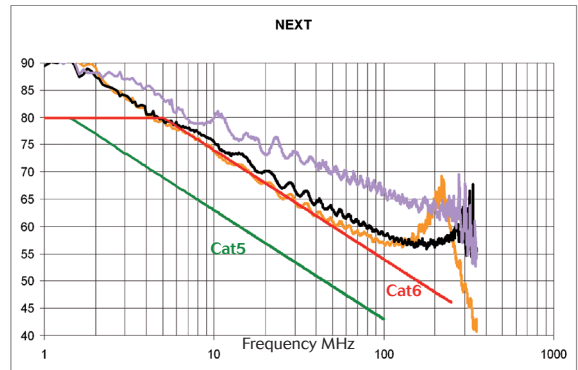
Mechanical, electrical and environmental features according to NFF61030 Railway standards.

Data Transmission

- Standard version with 4 contacts Ø2.0mm: Cat5 - 100 Mbps

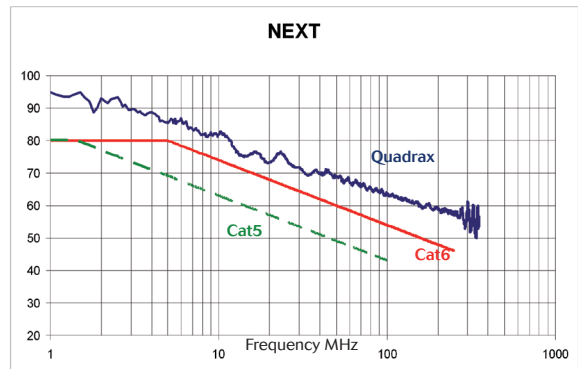
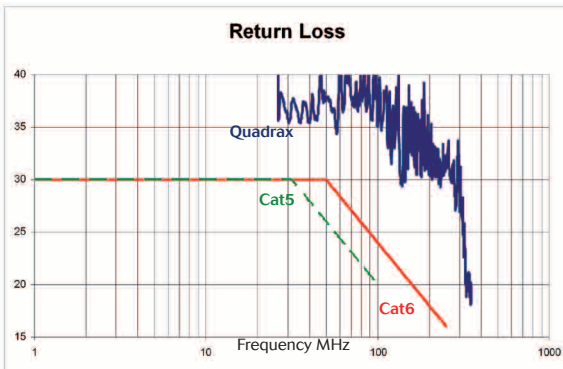


Quad cable configuration



Quad cable configuration

- Quadrax version: Cat6 - 1 Gbps



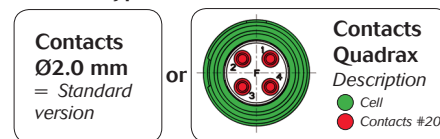
Mechanical

- **Shell:** Aluminium alloy
- **Conductive shell plating**
- **Locking system:** screw with clicker
- **Insulator:** Hard thermoplastic in accordance with NFF16101-16102 exigence I2F3 (Fire & smoke emissions) for installations on equipments category A1 UL94-V0
- **Removable coding system** enables the operator to choose between 12 different key orientations - delivered in position 1
- **Both male & female insulators** can fit in either the plugs or the receptacles
- **Endurance:** 500 mating/unmating

- **Contacts:**
 - Copper alloy, silver or gold plated
 - Crimp type

Electrical

- **Contact type:**



- **Contact resistance:**
 - Contacts Ø2.0 mm: $\leq 2 \text{ m}\Omega$
 - Quadrax: $\leq 6 \text{ m}\Omega$ (contacts #20) $\leq 2 \text{ m}\Omega$ (cell)

- **Withstanding voltage:**
 - Contacts Ø2.0 mm: 3250 Vrms
 - Quadrax: $\geq 1000\text{V}$ (between contacts #20) $\geq 500\text{V}$ (between cell / contacts #20)
- **Insulation resistance:**
 - Contacts Ø2.0 mm: $\geq 5000 \text{ M}\Omega$ under 500 Vdc
 - Quadrax: $\geq 3000 \text{ M}\Omega$ (contacts #20)
- **Service voltage per layout:** 380 Vrms max.

Environmental

- **Temperature range:** -40°C to +100°C
- **Salt spray resistance:** 96 hours (NFC 20711)
- **Sealing:** IP66 and IP67 (with adapted backshell)

838 Series



Ordering information

838 standard version with 4 contacts ø 2.0 mm

Type*	838 0 E 1 E 09 1 B M 0 A											
Coupling type	0: Screw coupling with coding option											
Connector type	E: Receptacle						F: Plug					
Shell type	0: Square flange receptacle without panel gasket 1: Square flange receptacle with panel gasket 0: Plug without clicker locking 1: Plug with clicker locking											
Shell size	E											
Contact layout	09: 4 contacts ø 2.0 mm											
Contact gender	1: Male crimp contact						5: Female crimp contact					
Contact type	L: Connector supplied without contact						B: Contacts ø 2.0 mm					
Backshell type	G: Straight backshell for PMA flexible tube M: Without backshell, nor accessories N: Boot V: Straight backshell with sealing gland						W: Straight backshell with cable clamp and sealing gland T: Backshell with low profile sealing gland U: Backshell T type with shielding termination Z: Backshell for shielding termination					
Index	0 to 20											
Insert	A: Thermoplastic insert											

*Delivered without contact

838 Quadrax version with 2 Quadrax cells

Type*	838 0 E 1 C 02 1 R M 0 A											
Coupling type	0: Screw coupling with coding option											
Connector type	E: Receptacle						F: Plug					
Shell type	0: Square flange receptacle without panel seal 1: Square flange receptacle with panel seal 0: Plug without clicker locking 1: Plug with clicker locking											
Shell size	C											
Contact layout	02: 2 Quadrax contacts											
Contact gender	1: Male crimp contact						5: Female crimp contact					
Contact type	R: Quadrax contacts											
Backshell type	G: Straight backshell for PMA flexible tube M: Without backshell, nor accessories N: Boot V: Straight backshell with sealing gland						W: Straight backshell with cable clamp and sealing gland T: Backshell with low profile sealing gland U: Backshell T type with shielding termination Z: Backshell for shielding termination					
Index	0 to 20											
Insert	A: Thermoplastic insert											

*Delivered without contact

Contacts

Contact ø 2.0 mm (standard version)

Contact type	Male		min.	max.
8380 722	Passivated silver	Cable size: (mm ²)	0.6	1.5
8380 726	Gold		0.6	1.5
8380 970	Passivated silver		1.34	2.61
	Female			
8380 725	Passivated silver		0.6	1.5
8380 727	Gold		0.6	1.5
8380 973	Passivated silver		1.34	2.61

Quadrax contact

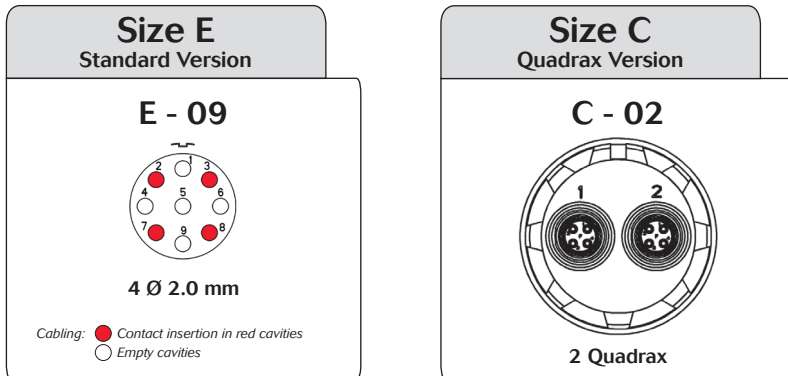
Contact type	Male		min.	max.
8380 2035A	Copper alloy	Cable size: (mm ²)	0.21	0.93
	Female			
8380 2034A	Copper alloy		0.21	0.93

Other contact versions, please contact us.

838 Series

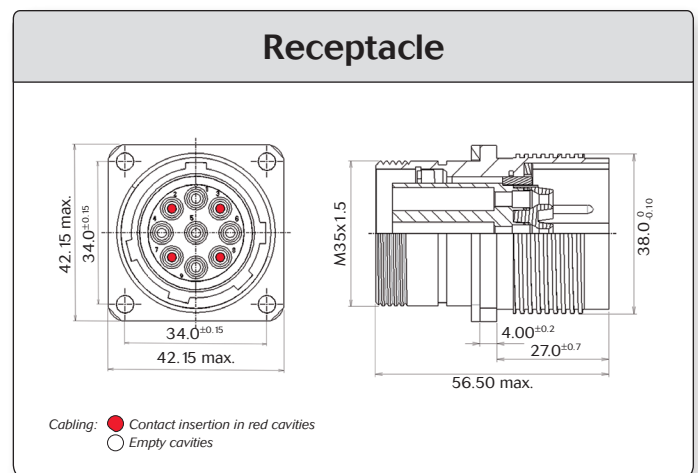
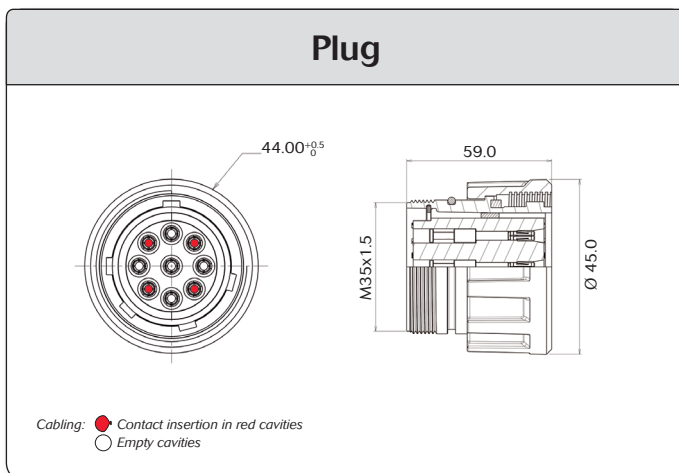


Contact layouts (from front face of female connector)

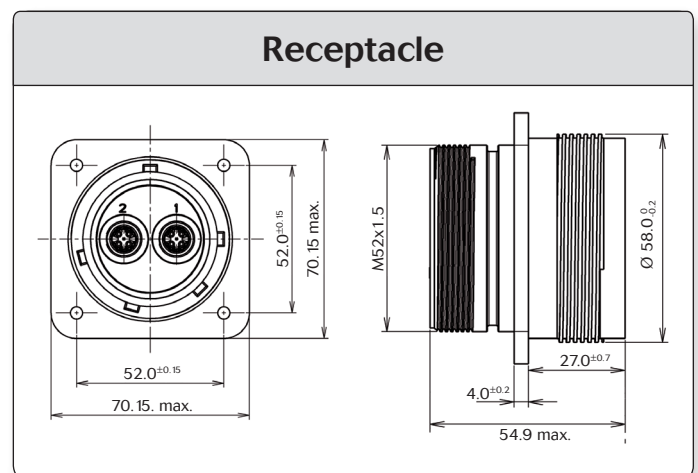
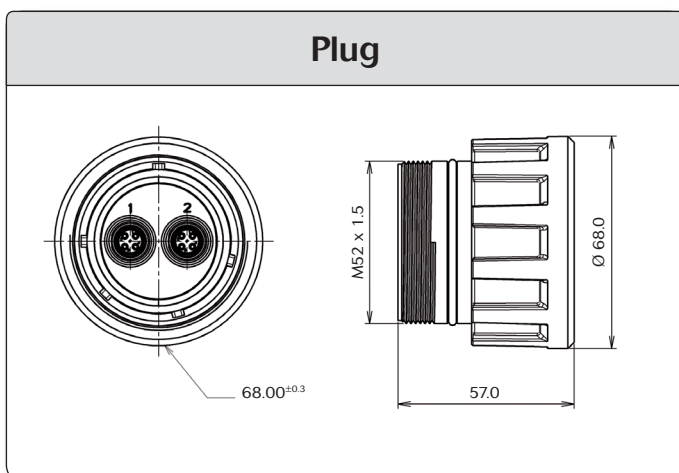


Range presentation

838 size E standard version with 4 contacts \varnothing 2.0 mm (standard version)



838 size C Quadrax version with 2 Quadrax cells

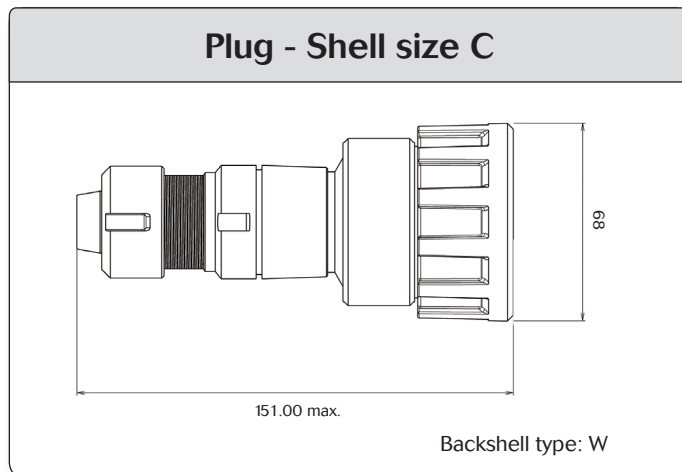
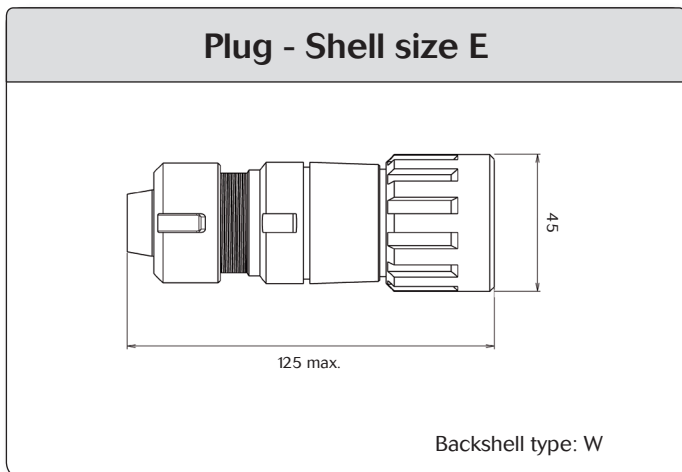


Note : all dimensions are in mm

838 Series

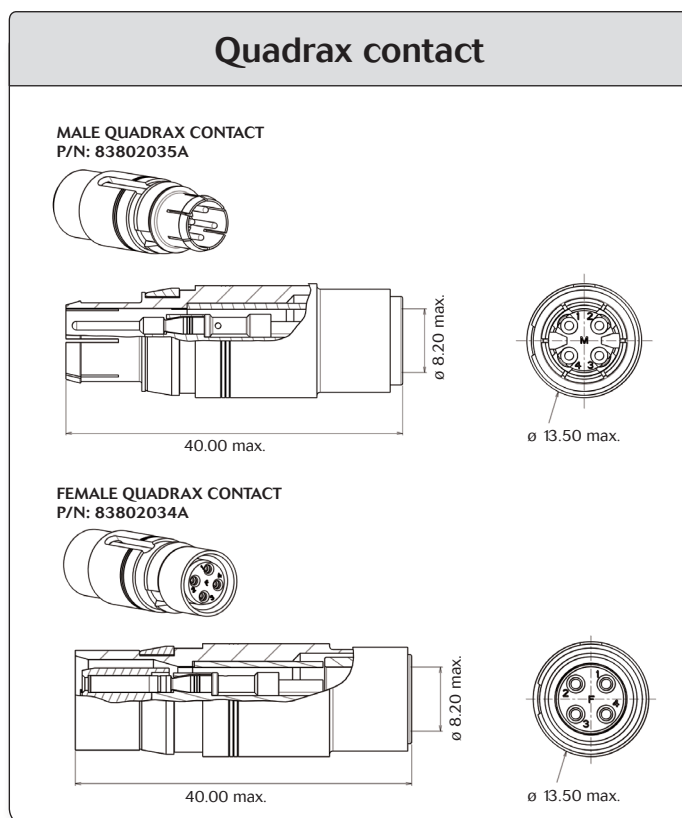
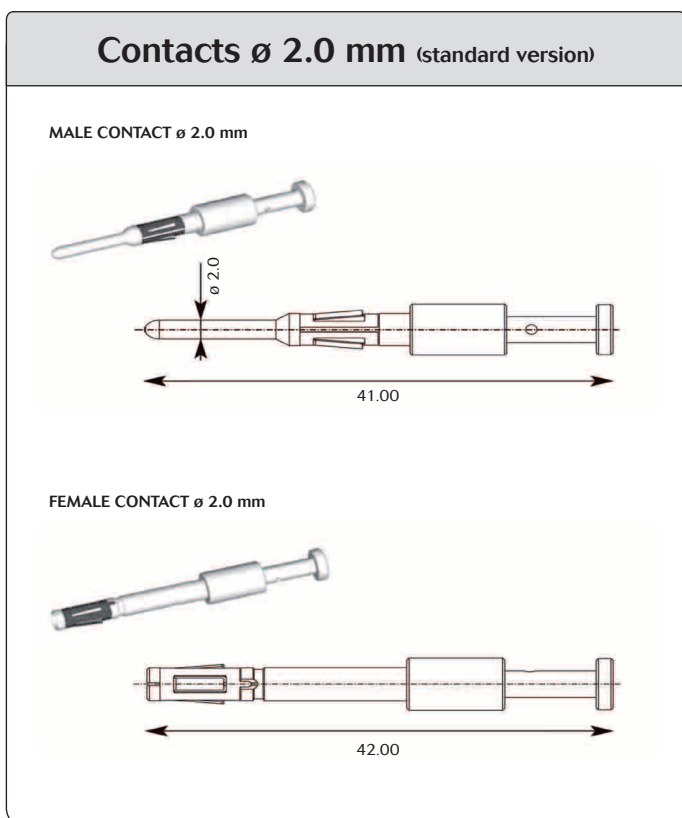


Example of connector with backshell



For other backshell types, please refer to the 838 catalog.

Contacts



Note : all dimensions are in mm

For further information, visit our website www.railway-connectors.com
or contact us at contactindustry@souriau.com

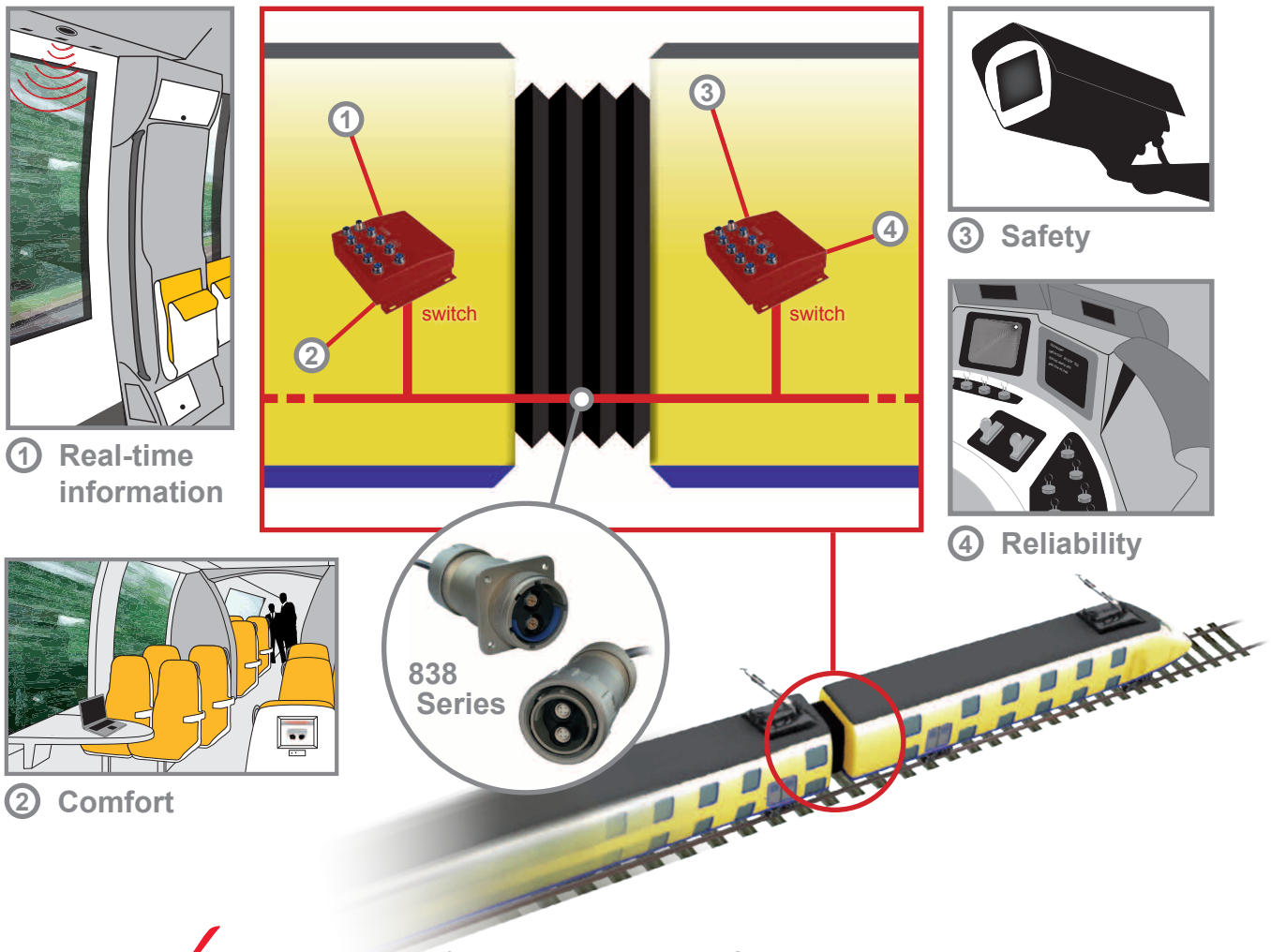
838 Series

Dedicated for Railway Applications

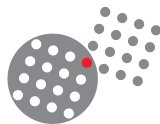


Railway applications are using more & more data transmission to improve **Safety** (e.g. videosurveillance), **Comfort** (e.g. WIFI, entertainment), **Reliability** (e.g. train service indicators) and **Real-time information** (e.g. passenger counting system).

Souriau's **High Speed Connection** product range has been designed to link all these new equipments along trains.



- ✓ For all types of networks: Ethernet, CAN open, MVB etc.
- ✓ From 100 Mbps to 1 Gbps
- ✓ NFF61030 compliant
- ✓ Fire & smoke standards compliant
- ✓ Designed for railway cables



SOURIAU
Connection Technology

X-ON Electronics

Largest Supplier of Electrical and Electronic Components

Click to view similar products for [Circular MIL Spec Contacts](#) category:

Click to view products by [Sunbank](#) manufacturer:

Other Similar products are found below :

[006-1189-20](#) [71-VEAM](#) [809-023](#) [809-111](#) [811393-000](#) [850-014](#) [97-45-1418P-4\(0920\)](#) [97-45-1418S-4](#) [D-602-0106CS076](#) [AIC12-14P](#)
[AIC16-16PG](#) [AIC8-12P](#) [AIC8-8SG](#) [AIC8-8SRAD](#) [1495044-1](#) [BACC47CP2T](#) [BACC47DP4](#) [BACC47GC1A](#) [BACC47GN1](#) [16968/2C](#)
[241611N001](#) [2560-220-2031](#) [27964-38T112](#) [2M809-118](#) [97-67-36-20](#) [AIC12-16P](#) [AIC16-18PG](#) [AIC16-20PG](#) [AIC4-4PG](#) [CE102S-18](#)
[M39029/30-221](#) [M39029/77-430](#) [416-2020-088I](#) [MDM-21SH003B-F222](#) [BA-4120-50LD](#) [BACC47CN2](#) [BACC47CN3S](#) [BACC47GC3A](#)
[BACC47GD3A](#) [BACC47GM1](#) [52G137 REV A](#) [CB2-18-21PS](#) [D-602-1116CS2727](#) [D-602-1117CS2727](#) [419-2082-102](#) [419-2085-102](#) [419-2087-001](#) [432703033601](#) [51003-16-55B2](#) [05-20-114-0-00-GM](#)