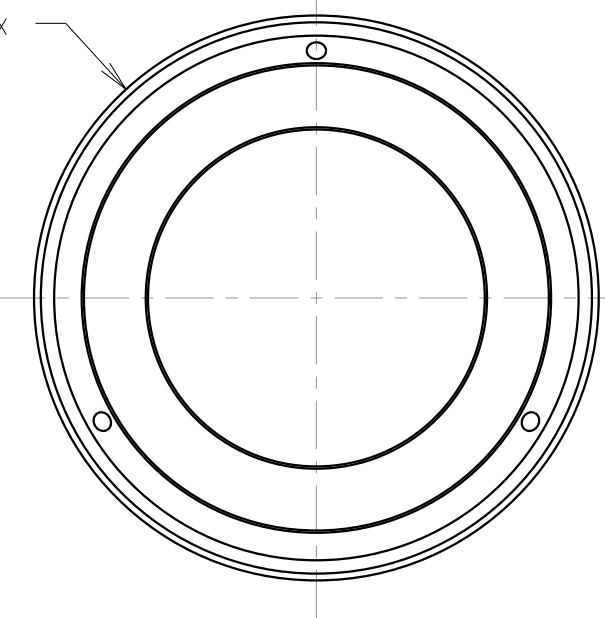


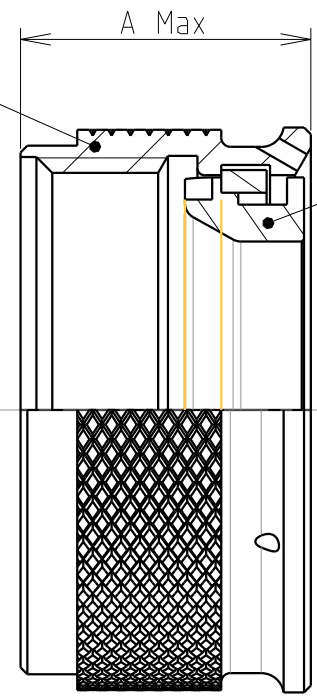
H G F E D C B A

A.3: Validé

ØB Max



1: COUPLING NUT



2: SHELL



SCALE 2/1

COUPE A-A

PLATING	1 : Coupling Nut	2 : Shell
A	Black anodized	
G	Olive drab cadmium (thickness 12 µ (-6/+10))	
J	Yellow cadmium	
N	Nickel	
R	Blue anodized	Black anodized
W	Olive drab cadmium (thickness 16 µ)	

BASIC SERIES	852	01	R	08
BACKSHELL TYPE:	01 : Backnut			
PLATING:	A, G, J, N, R, W (see plating table)			
SHELL SIZE:	08, 10, 12, 14, 16, 18, 20, 22, 24			

Country	Jurisdiction & Control List
FR	NOT LISTED

P/N : SEE TABLE

SHELL SIZE	A Max	ØB Max	Mass (g) (±10%)
08	12.85	15.67	3.05
10		18.64	3.90
12		21.79	5.00
14		24.99	6.00
16		28.24	6.90
18		30.94	7.85
20		34.16	8.90
22		37.29	9.70
24		40.46	11.00

SOURIAU shall not be liable for any non-conformity or damage due to a use of the Products which does not comply with the Specifications issued by either of the Parties or by a third party (professional recommendation, technical notice.)

A	21/12/2017	First issue	--
ISS	DATE	Latest modification - by:	MOD N°
		Q.LEBRETON	
Designed by:		Q.LEBRETON Date:21/12/2017	CUSTOMER DRAWING
TITLE		BACKNUT SIZE 08 TO 24 852 SERIES	
Scale	3/1	General Linear Tolerances: ± 0.3	NPRDS / PROJECT 852
SOURIAU		WWW.SOURIAU.COM	
This document is the property of SOURIAU. It must not be reproduced or communicated without permission.			
FORMAT	SOURIAU DRG N°		SHEET
A3	C023-J852-A		1 / 1

H G F E D C B A

## X-ON Electronics

Largest Supplier of Electrical and Electronic Components

*Click to view similar products for [Circular MIL Spec Connector](#) category:*

*Click to view products by [Sunbank](#) manufacturer:*

Other Similar products are found below :

[0025-262-542](#) [0025-264-3014](#) [58-570121-04S](#) [0134-202-1200](#) [0134-207-1206](#) [0134-207-1800](#) [0134-207-2207](#) [0134-213-0806](#) [0134-213-1007](#) [0134-213-1009](#) [0134-213-1208](#) [0134-213-1800](#) [0134-213-2209](#) [0025-258-000](#) [015-9516-002](#) [60-042217-10P](#) [60-042722-19P](#) [0114-201-1278](#) [602GB06EG24-61SN](#) [0134-201-1207](#) [0134-201-1806](#) [0134-201-2006](#) [0134-201-2007](#) [0134-201-2010](#) [0134-202-1400](#) [0134-207-0809](#) [0134-207-1208](#) [0134-207-2009](#) [0134-213-1006](#) [6104-207-2302](#) [6104-208-1902](#) [6131-202-19149P](#) [6131-204-21149P](#) [6131-207-13149P](#) [6131-208-13149P](#) [6131-209-17149P](#) [6131-210-11149P](#) [6131-211-19149P](#) [6131-216-19149P](#) [6131-220-25149P](#) [6131-259-11149P](#) [6131-259-21149P](#) [6131-259-23149P](#) [6131-263-19149P](#) [6131-265-17149P](#) [6131-265-19149P](#) [6134-203-21149](#) [CS3102A-20-15P](#) [CS3102A-20-15S](#) [CS3102A-28-15S](#)