

8525 Series



Applications

For all general purposes in civil aeronautical applications

Standards

NFC 93422 - HE 302
NFL 54130 - NAS 1599
GAM T1 list
LN 29504



Description

- Light weight version of MIL-C 26482 Series II
- Intermateable and interchangeable with MIL-C 26482 Series I and II
- Environmental stainless steel version on request
- RFI shielding plug
- Gold plating crimp contacts # 20, # 16, # 12
- Minicoax contacts # 16
- Hermetic version available

Characteristics

Mechanical

- Endurance :
 - plug type 16 : 500 operations
 - plug type 36 : 250 operations
- Shock : as per NFC 93422 - HE 302
- Vibrations :
 - from 10 to 2000 Hz - acceleration : 20 G
- Contact retention in insert :
 - size 20 : 90 N size 16 : 115 N
 - size 12 : 136 N

Electrical

- Max current rating per contact :

	environmental class	hermetic class
size 20	7,5 A	5 A
size 16	13 A	10 A
size 12	23 A	17 A

- Contact resistance :

	environmental class	hermetic class
size 20	≤ 1 mΩ	≤ 7 mΩ
size 16	≤ 0.55 mΩ	≤ 3.8 mΩ
size 12	≤ 0.35 mΩ	≤ 2.4 mΩ

- Insulation resistance :
 - ≥ 5000 MΩ at 500 Vdc
- Dielectric withstanding voltage 2 classes :
 - services I and II

Service	I	II
at ground	1500 Vrms	2300 Vrms
at 21000 m	375 Vrms	550 Vrms

- Shell continuity with plug type 36 :
 - environmental receptacle ≤ 5 mΩ
 - hermetic receptacle ≤ 50 mΩ
- Resistance to fluids :
 - fuel : Air 3405
 - hydraulic fluid : Oronite M2V
 - lubricant : Air 3517

Climatic

- Operating temperatures :
 - 55°C to +200°C (class R and N)
 - 55°C to +175°C (class G)
- Damp heat :
 - 56 days
- Salt spray :
 - 48 hours
- Leakage :
 - environmental version
 - low pressure immersion : 33 mbar
 - hermetic version
 - differential pressure of 1 bar air/helium, leakage is ≤ 2,8 mm³ / hr

Ordering information sealed connectors aluminum version

basic series	8525 - 10	R	18 B 32	P	N	H	•••
shell type	10 - square flange receptacle 17 - jam nut receptacle 16 - plug 36 - RFI shielded plug						
plating	R - black anodized (non conductive plating) N - nickel (conductive plating) G - yellow cadmium (conductive plating)						
contact layout	- see table p 45						
contact type	P - male contact S - female contact						
orientation	N - normal W, X, Y, Z - see table p 46						
obligatory suffix	H - 3 rear teeth at 120 degrees K - rear teeth over 360 degrees						
specification	- connector supplied without backshell, without specification L - connector supplied without contact 008 - connector supplied with special contacts # 20 for 0.38 to 0.93 mm ² cable or # 16 for 0.93 to 1.91 mm ² cable 068 - mixed contact layouts (# 20 and # 16) connector supplied with special contacts # 20 for 0.38 to 0.93 mm ² cable, and standard contacts # 16 009 - receptacle 10 or 17 with straight spills contacts size 20 - Ø 0.60 mm - size 16 - Ø 1.00 mm - length max 7.30 mm connector supplied with backshells 001 - backnut 002 - straight cable clamp 003 - elbow cable clamp 011 - backnut* 013 - elbow cable clamp*	007 - backshell for heatshrink sleeving 057 - backnut for heatshrink sleeving 012 - straight cable clamp* 017 - backshell for heatshrink sleeving* 018 - backshell for solder shield termination*					

*Connector supplied with special contacts (large barrel)

8525 Series



Hermetic connectors

basic series	8525 - I H 18 B 32 P N H ...
shell type	<ul style="list-style-type: none"> I - solder fixing receptacle 02 - square flange receptacle 07 - jam nut receptacle
hermetic version	H - stainless steel
contact layout	- see table p 45
contact type	P - male contact only
orientation	<ul style="list-style-type: none"> N - normal W, X, Y, Z - see table p 46
obligatory suffix	
specification	002 - large flange 02 H version

Backshells aluminum version

basic series	852 - 01 A 18
backshell type	<ul style="list-style-type: none"> 01 - backnut 02 - straight cable clamp 03 - elbow cable clamp 17 - backshell for heatshrink sleeving 57 - backnut for heatshrink sleeving 18 - backshell for solder shield termination
plating	<ul style="list-style-type: none"> A - black anodized R - black anodized with blue anodized backshell nut N - nickel J - yellow cadmium
shell size	08-10-12-14-16-18-20-22-24

Backshells stainless steel version

basic series	8527 - 01 14 •
backshell type	<ul style="list-style-type: none"> 01 - backnut 02 - straight cable clamp
shell size	08-10-12-14-16-18-20-22-24
specification	A - obligatory suffix for backshell type 02 only

8525 Series



Cross reference list

ALUMINIUM VERSION / DESIGNATION	FCI SOURIAU	ASN-E	NSA	NFC 93422 - HE 302	ABS	
square flange receptacle	8525-10 R	H008*	ASN-E 0053 R E	NSA 938001 R P S		
	8525-10 N	H008*	ASN-E 0053 N E			
	8525-10 R	HL	ASN-E 0053 R F	NSA 938001 R P S C		
	8525-10 N	HL	ASN-E 0053 N F			
	8525-10 R	H			HE 302-0R P 1F	
	8525-10 N	H			HE 302-0R P 6F	
	jam nut receptacle	8525-17 R	H008*	ASN-E 0054 R E	NSA 938002 R P S	
		8525-17 N	H008*	ASN-E 0054 N E		
		8525-17 R	HL	ASN-E 0054 R F	NSA 938002 R P S C	
		8525-17 N	HL	ASN-E 0054 N F		
		8525-17 R	H			HE 302-7R P 1F
		8525-17 N	H			HE 302-7R P 6F
plug	8525-16 R	H008*	ASN-E 0052 R E	NSA 938000 R P S		
	8525-16 N	H008*				
	8525-16 R	HL	ASN-E 0052 R F	NSA 938000 R P S C		
	8525-16 N	HL				
	8525-16 R	H			HE 302-6R P 1F	
	8525-16 N	H			HE 302-6R P 6F	
RFI shielded plug	8525-36 N	H008*	ASN-E 0052 N E			
	8525-36 N	HL	ASN-E 0052 N F			
	8525-36 N	H			HE 302-8R P 6F	
STAINLESS STEEL VERSION	FCI SOURIAU	ASN-E	NSA	NFC 93422 - HE 302	ABS	
square flange receptacle	8525-10 K	H008*				ABS 0595 S E
	8525-10 K	HL				ABS 0595 S F
jam nut receptacle	8525-17 K	H008*				ABS 0594 S E
	8525-17 K	HL				ABS 0594 S F
RFI shielded plug	8525-36 K	H008*				ABS 0592 S E
	8525-36 K	HL				ABS 0592 S F
square flange hermetic recep.	8525-02 H	P H			HE 302-2H P 0F	
jam nut hermetic receptacle	8525-07 H	P H			HE 302-7H P 0F	
solder mounting hermetic receptacle	8525-1 H	P H			HE 302-1H P 0F	
ACCESSORIES						
backnut	852-01 R	ASN-E 0046-01 B	NSA 938 150 02	HE 302-01R B1		
straight cable clamp	852-01 A	ASN-E 0046-01 N		HE 302-01G B6		
elbow cable clamp	852-02 R	ASN-E 0047-01 B	NSA 938 150 03	HE 302-02R B1		
	852-02 A	ASN-E 0047-01 N		HE 302-02G B6		
backshell for heatshrink sleeving	852-03 R	ASN-E 0047-02 B	NSA 938 150 01	HE 302-03R B1		
	852-03 A	ASN-E 0047-02 N		HE 302-03G B6		
backshell for solder shield termination	852-17 R			HE 302-04R B1		
	852-17 A			HE 302-04G B6		
thread protective nut	852-18 R			HE 302-05R B1		
	852-18 A			HE 302-05G B6		
male contacts	852-04 R	ASN-E 0046-02 B	NSA 938 003			
	852-04 A	ASN-E 0046-02 N				
	8522-2349 A		NSA 938 151 PA 2000			
	8526-1349		NSA 938 151 PA 1600			
	8526-1350		NSA 938 151 PA 1200			
female contacts	8522-6179 A		NSA 938 151 PA 1601			
	8520-292		NSA 938 152 SA 2000			
	8526-1346		NSA 938 152 SA 1600			
	8526-1347		NSA 938 152 SA 1200			
	8526-1344					
male thermocouple contacts	8522-875		NSA 938 152 PB 2000			
	8522-876		NSA 938 152 PC 2000			
female thermocouple contacts	8522-877		NSA 938 152 SB 2000			
	8522-878		NSA 938 152 SC 2000			
female mini coax. contacts	8522-1-001		NSA 938 171 PL 1600			
male mini coax. contacts	8522-2-001					
	8522-2-002		NSA 938 172 SL 1600			
cap for receptacle	852 -R		NSA 938 005	HE 302-B00 AF		
cap for plug	852 -R		NSA 938 007	HE 302-B16 AF		

* 008 : for # 20 contact layouts - 068 : for mixed contact # 20 and # 16 - nothing : for # 16 or # 12 contact layouts

8525 Series



Contact layouts viewed from front face of male insulator

shells								
8	10	12	14	16	18	20	22	24
8 B 3A*	10 B 6*	12 B 10*	14 B 19*	16 B 26*	18 B 32*	20 B 41*	22 B 55*	24 B 61*
3 # 20	6 # 20	10 # 20	19 # 20	26 # 20	32 # 20	41 # 20	55 # 20	61 # 20
8 B 33*	SN 0394	12 B 3*	14 B 15*	16 B 8*	18 B 11	20 B 39*	22 B 41*	24 B 31
3 # 20	1 coax	3 # 16	14 # 20 1 # 16	8 # 16	11 # 16	37 # 20 2 # 16	27 # 20 14 # 16	31 # 16
			14 B 12*	16 B 21	18 B 8*	20 B 16*	22 B 21*	24 B 19
			8 # 20 4 # 16	16 # 20 5 # 16	8 # 12	16 # 16	21 # 16	19 # 12
			14 B 5*		SN 0468	20 B 34	22 B 12	SN 1229
			5 # 16		2 # 12 2 # 20	26 # 20 8 # 16	12 # 12	52 Ø 1 2 coax # 12
			14 B 4*					SN 0797
			4 # 12					58 Ø 1 1 coax 50 Ω

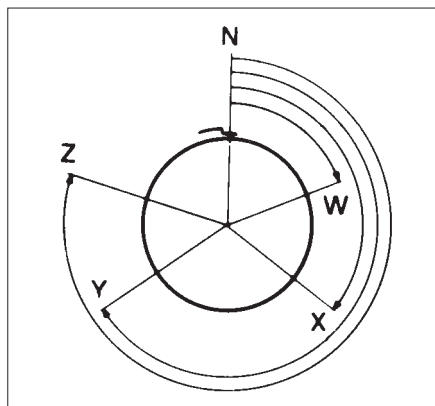
* hermetic receptacle available
 Specials (SHTP)

8525 Series



Polarization viewed from front face of male insulator

(insulator rotated inside metal body)



shell size	layouts	service I 1500 Vrms	service II 2300 Vrms	number of contacts			angles in degrees				
				size 20	size 16	size 12	N	W	X	Y	Z
08	8 B 3 A	X		3			0	60	210	-	-
	8 B 33	X		3			0	90	-	-	
10	10 B 6	X		6			0	90	-	-	
12	12 B 10	X		10			0	60	155	270	295
	12 B 3		X		3		0	140	220	180	-
14	14 B 19	X		19			0	30	165	315	-
	14 B 15	X		14	1		0	17	110	155	234
	14 B 12	X		8	4		0	43	90	-	-
	14 B 5		X		5		0	40	92	184	273
	14 B 4	X				4	0	45	-	-	-
16	16 B 26	X		26			0	60	-	275	338
	16 B 8		X		8		0	54	152	180	331
	16 B 21	X		16	5		0	-	-	-	-
18	18 B 32	X		32			0	85	138	222	265
	18 B 11		X		11		0	62	119	241	340
	18 B 8	X				8	0	180	-	-	-
20	20 B 41	X		41			0	45	126	225	-
	20 B 39	X		37	2		0	63	144	252	333
	20 B 16		X		16		0	238	318	333	347
	20 B 34	X		26	8		0	-	-	-	-
22	22 B 55	X		55			0	30	142	226	314
	22 B 41	X		27	14		0	39	135	264	-
	22 B 21		X		21		0	16	135	175	349
	22 B 12	X				12	0	-	-	-	-
24	24 B 61	X		61			0	90	180	270	324
	24 B 31	X			31		0	90	225	255	-
	24 B 19		X			19	0	30	165	315	-

Contacts

contact size	# 20 standard	# 20 special	# 16 standard	# 16 special	# 12 standard	# 12 special
--------------	---------------	--------------	---------------	--------------	---------------	--------------

Technical characteristics

diameter	1 mm	1 mm	1,6 mm	1,6 mm	2,4 mm	2,4 mm
retention force	90 N	90 N	115 N	115 N	136 N	136 N
current rating	7,5 A	7,5 A	13 A	13 A	23 A	23 A
contact resistance	≤ 1 mΩ	≤ 1 mΩ	≤ 0,55 mΩ	≤ 0,55 mΩ	≤ 0,35 mΩ	≤ 0,35 mΩ

Admissible wires

external Ø over insulator	0,98 to 2,11 mm	0,98 to 2,11 mm	1,34 to 2,62 mm	1,34 to 2,62 mm	2,45 to 4,01 mm	0,98 to 2,11 mm
admissible section	0,21 to 0,60 mm ²	0,38 to 0,93 mm ²	0,60 to 1,34 mm ²	0,60 to 1,91 mm ²	1,91 to 3,18 mm ²	0,38 to 0,93 mm ²
wire gauge	24 to 20	22 to 18	20 to 16	18 to 14	14 to 12	22 to 18
reducing sleeve for wire of	0,09 to 0,21 mm ²	-	-	-	-	-

Part numbers

male contact	8526-1348	8522-2349 A	8526-1349	8522-6179 A	8526-1350	8526-5041
female contact	8526-1344	8520-292	8526-1346	8522-6180 A	8526-1347	8526-5591 A
colour code	red-red	red-violet	blue-blue	blue-orange	yellow-yellow	violet-yellow
male contact thermocouple - chromel	8522-875	8522-3761	8522-881	-	8522-887	-
colour code	yellow	yellow	yellow	-	yellow	-
thermocouple - alumel	8522-876	8522-3760	8522-882	-	8522-888	-
colour code	black (1 dot)	black (2 dots)	black (1 dot)	-	black (1 dot)	-
female contact thermocouple - chromel	8522-877	8522-3770	8522-883	-	8522-889	-
colour code	yellow	yellow	yellow	-	yellow	-
thermocouple - alumel	8522-878	8522-3771	8522-884	-	8522-890	-
colour code	black	black (2 dots)	black (1 dot)	-	black (1 dot)	-
reducing sleeve	8522-2142	-	-	-	-	-

Minicoax contacts

minicoax installed instead of size 16 contacts

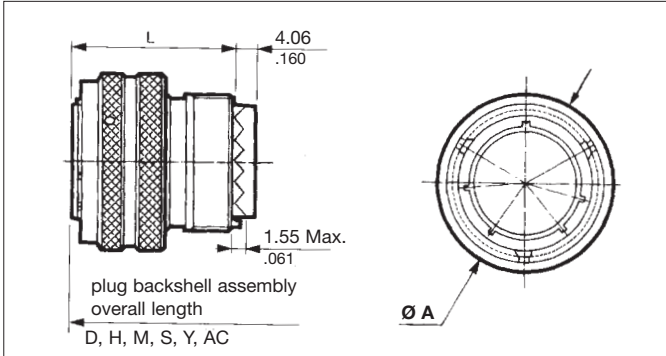
male contacts		8522-2-001	8522-2-002
female contacts		8522-1-001	8522-1-002
cables accepted	-	RG 316 U KX 22 A RG 174 U KX 3 A RG 188 A/U RG 179 B/U	RG 178 B/U KX 21 A RG 196 A/U

8525 Series



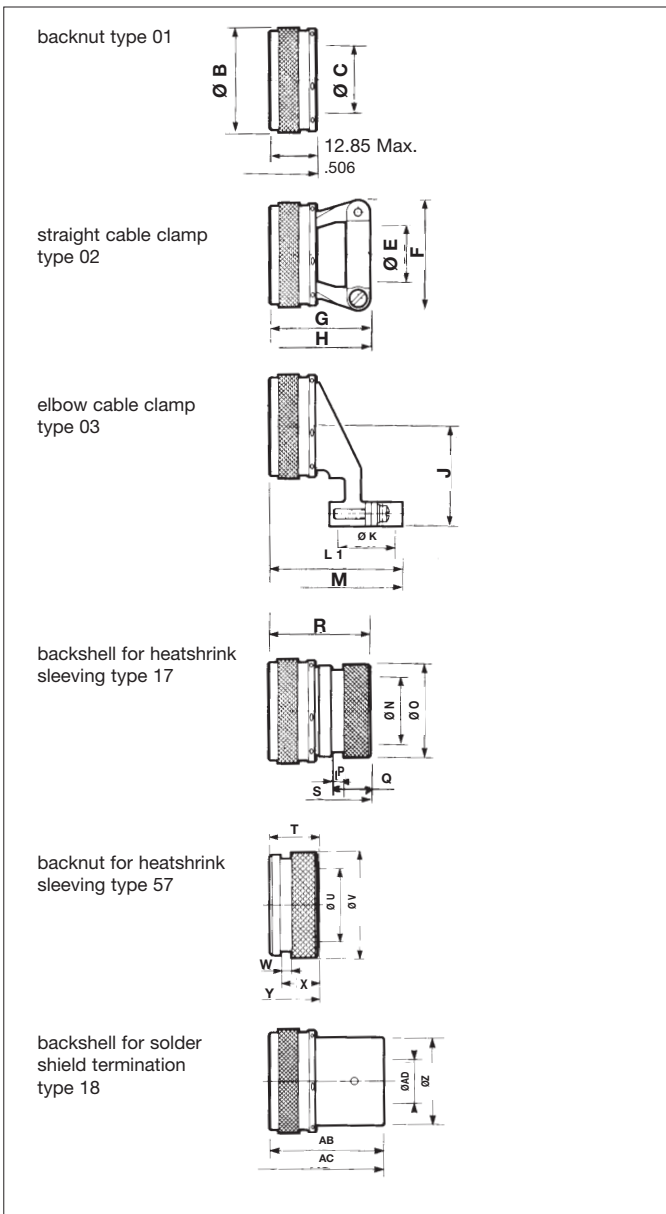
Dimensions

Plug type 16 and 36



shell size	A Max	B Max	C	D Max	E Max	F Max	G Max	H Max	L Max
8	18.95 .746	15.65 .616	6.75 .266	31.40 1.236	5.85 .230	19.10 .752	22.25 .876	40.80 1.606	25.50 1.004
10	22.65 .892	18.60 .732	9.40 .370	31.40 1.236	8.70 .343	20.30 .799	22.25 .876	40.80 1.606	25.50 1.004
12	25.75 1.014	21.75 .856	12.80 .504	31.40 1.236	12.00 .472	23.50 .925	22.25 .876	40.80 1.606	25.50 1.004
14	29.75 1.171	24.95 .982	14.75 .581	31.40 1.236	16.75 .659	25.50 1.004	27.45 1.081	46.00 1.811	25.50 1.004
16	32.95 1.297	28.20 1.110	17.95 .707	31.40 1.236	20.55 .809	29.50 1.161	27.45 1.081	46.00 1.811	25.50 1.004
18	35.35 1.392	30.90 1.217	19.95 .785	31.40 1.236	22.55 .888	32.30 1.272	27.45 1.081	46.00 1.811	25.50 1.004
20	38.75 1.526	34.15 1.344	23.10 .909	32.70 1.287	25.75 1.014	36.00 1.417	27.45 1.081	47.30 1.862	27.00 1.063
22	41.85 1.648	37.25 1.467	26.30 1.035	32.70 1.287	28.95 1.140	39.00 1.535	27.45 1.081	47.30 1.862	27.00 1.063
24	45.05 1.774	40.45 1.593	29.20 1.150	32.70 1.287	32.05 1.262	42.70 1.681	27.45 1.081	47.30 1.862	27.00 1.063

Backshells



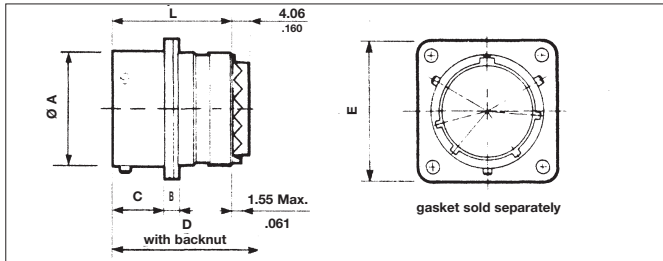
shell size	J Max	K min.	K Max	L Max	M Max	N min.	O Max	P	Q Max	R Max
8	20.00 .787	4.00 .157	5.85 .230	25.00 .984	43.80 1.724	6.75 .266	13.50 .531	3.30 .130	10.60 .417	28.55 1.124
10	22.20 .874	6.85 .270	8.70 .343	27.90 1.098	46.70 1.839	9.40 .370	15.35 .604	3.30 .130	10.60 .417	28.55 1.124
12	24.00 .945	10.15 .400	12.00 .472	31.20 1.228	50.00 1.969	12.80 .504	19.65 .774	3.30 .130	10.60 .417	28.55 1.124
14	24.50 .965	11.70 .461	16.75 .659	32.80 1.291	51.60 2.031	14.75 .581	21.25 .837	3.30 .130	10.60 .417	28.55 1.124
16	27.00 1.063	15.50 .610	20.55 .809	36.50 1.437	55.30 2.177	17.93 .706	24.45 .963	3.30 .130	10.60 .417	28.55 1.124
18	28.60 1.126	17.50 .689	22.55 .888	38.50 1.516	57.30 2.256	19.94 .785	26.45 1.041	3.30 .130	10.60 .417	28.55 1.124
20	30.10 1.185	20.70 .815	25.75 1.014	41.80 1.646	61.90 2.437	23.11 .910	30.90 1.217	3.30 .130	10.60 .417	28.55 1.124
22	31.90 1.256	23.90 .941	28.95 1.140	45.00 1.772	65.10 2.563	26.29 1.035	34.40 1.354	3.30 .130	10.60 .417	28.55 1.124
24	33.40 1.315	27.00 1.063	32.05 1.262	48.00 1.890	68.10 2.681	29.20 1.150	36.65 1.443	3.30 .130	10.60 .417	28.55 1.124

shell size	S Max	I	U min.	V Max	W	X Max	Y Max	Z	AB Max	AC Max	AD Max
8	46.90 1.846	13.72 .540	6.75 .266	17.48 .688	3.30 .130	10.50 .413	32.00 1.260	11.50 .453	27.55 1.085	45.90 1.807	6.50 .256
10	46.90 1.846	13.72 .540	9.40 .370	20.40 .803	3.30 .130	10.50 .413	32.00 1.260	15.00 .591	27.55 1.085	45.90 1.807	8.50 .335
12	46.90 1.846	13.72 .540	12.80 .504	23.83 .938	3.30 .130	10.50 .413	32.00 1.260	18.00 .709	27.55 1.085	45.90 1.807	12.50 .492
14	46.90 1.846	13.72 .540	14.75 .581	27.00 1.063	3.30 .130	10.50 .413	32.00 1.260	21.00 .827	31.55 1.242	49.90 1.965	13.50 .531
16	46.90 1.846	13.72 .540	17.93 .706	31.45 1.238	3.30 .130	10.50 .413	32.00 1.260	24.00 .945	31.55 1.242	49.90 1.965	17.50 .689
18	46.90 1.846	13.72 .540	19.94 .785	33.27 1.310	3.30 .130	10.50 .413	32.00 1.260	25.50 1.004	31.55 1.242	49.90 1.965	19.50 .768
20	48.20 1.898	13.72 .540	23.11 .910	36.47 1.436	3.30 .130	10.50 .413	33.30 1.311	28.50 1.122	35.55 1.400	55.20 2.173	23.00 .906
22	48.20 1.898	13.72 .540	26.29 1.035	39.62 1.560	3.30 .130	10.50 .413	33.30 1.311	32.00 1.260	35.55 1.400	55.20 2.173	23.00 .906
24	48.20 1.898	13.72 .540	29.20 1.150	42.82 1.686	3.30 .130	10.50 .413	33.30 1.311	35.00 1.378	35.55 1.400	55.20 2.173	23.00 .906

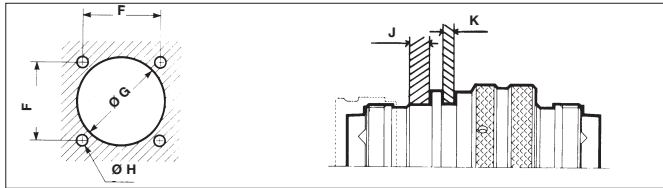
8525 Series



Square flange receptacle type 10

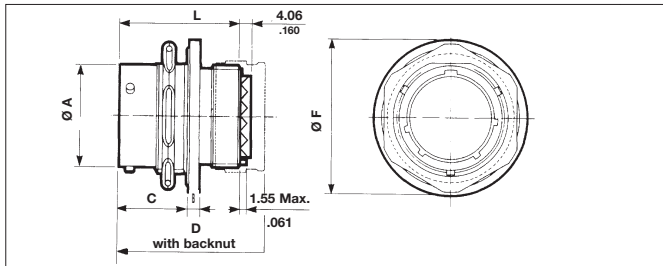


panel cut-out

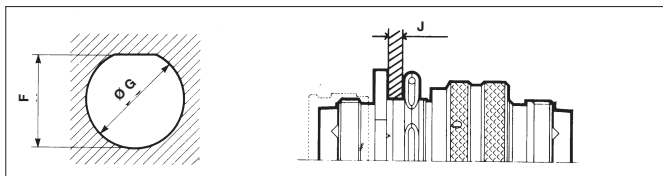


shell size	A Max	B Max	C Max	D Max	E Max	F	G	H	J Max	K Max	L Max
8	12.03 .474	1.37 .054	11.70 .461	29.80 1.173	21.00 .827	15.09 .594	14.43 .568	3.05 .120	3.17 .125	2.21 .087	25.50 1.004
10	15.01 .591	1.37 .054	11.70 .461	29.80 1.173	24.25 .955	18.26 .719	17.40 .685	3.05 .120	3.17 .125	2.21 .087	25.50 1.004
12	19.07 .751	1.37 .054	11.70 .461	29.80 1.173	26.55 1.045	20.62 .812	21.95 .864	3.05 .120	3.17 .125	2.21 .087	25.50 1.004
14	22.25 .876	1.37 .054	11.70 .461	29.80 1.173	28.90 1.138	23.01 .906	25.12 .989	3.05 .120	3.17 .125	2.21 .087	25.50 1.004
16	25.42 1.001	1.37 .054	11.70 .461	29.80 1.173	31.30 1.232	24.61 .969	28.27 1.113	3.05 .120	3.17 .125	2.21 .087	25.50 1.004
18	28.60 1.126	1.37 .054	11.70 .461	29.80 1.173	33.70 1.327	26.97 1.062	31.45 1.238	3.05 .120	3.17 .125	2.21 .087	25.50 1.004
20	31.77 1.251	2.20 .087	14.35 .565	31.60 1.244	36.90 1.453	29.36 1.156	34.62 1.363	3.05 .120	3.17 .125	5.38 .212	27.30 1.075
22	34.95 1.376	2.20 .087	14.35 .565	31.60 1.244	40.00 1.575	31.75 1.250	37.80 1.488	3.05 .120	3.17 .125	5.38 .212	27.30 1.075
24	38.12 1.501	2.20 .087	14.35 .565	31.60 1.244	43.30 1.705	34.92 1.375	41.02 1.615	3.73 .147	3.17 .125	5.38 .212	27.30 1.075

Jam nut receptacle type 17

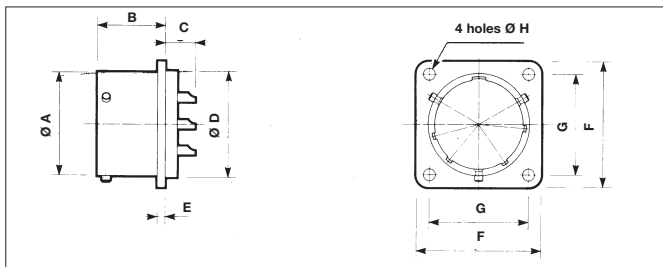


panel cut-out

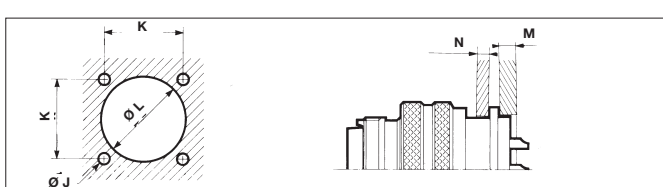


shell size	A Max	B	C	D Max	F Max	G	H	J Max	L Max
8	12.03 .474	2.35 .093	17.35 .683	30.30 1.193	23.30 .917	14.53 .572	13.61 .536	4.75 .187	25.90 1.020
10	15.01 .591	2.35 .093	17.35 .683	30.30 1.193	26.60 1.047	17.70 .697	16.79 .661	4.75 .187	25.90 1.020
12	19.07 .751	2.35 .093	17.35 .683	30.30 1.193	31.35 1.234	22.73 .895	20.93 .824	4.75 .187	25.90 1.020
14	22.25 .876	2.35 .093	17.35 .683	30.30 1.193	34.55 1.360	25.65 1.010	24.08 .948	4.75 .187	25.90 1.020
16	25.42 1.001	2.35 .093	17.35 .683	30.30 1.193	37.70 1.484	28.83 1.135	27.23 1.072	4.75 .187	25.90 1.020
18	28.60 1.126	2.35 .093	17.35 .683	30.30 1.193	40.90 1.610	32.00 1.260	30.40 1.197	4.75 .187	25.90 1.020
20	31.77 1.251	2.55 .100	18.95 .746	32.00 1.260	45.65 1.797	35.18 1.385	33.58 1.322	6.35 .250	27.50 1.083
22	34.95 1.376	2.55 .100	18.95 .746	32.00 1.260	48.85 1.923	38.35 1.510	36.75 1.447	6.35 .250	27.50 1.083
24	38.12 1.501	2.55 .100	19.00 .748	32.00 1.260	52.00 2.047	41.53 1.635	39.93 1.572	5.55 .219	27.50 1.083

Square flange hermetic receptacle type 02 H



panel cut-out

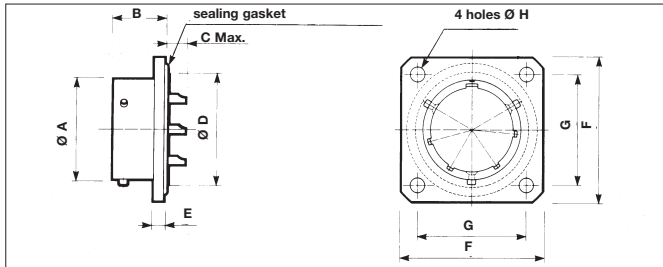


shell size	A Max	B Max	C #20	C #12-#16	D Max	E Max	F Max	G	H	J	K	L	M	N Max
8	12.02 .473	12.78 .503	6.50 .256	-	14.27 .562	1.97 .078	21.02 .828	15.09 .594	3.10 .122	3.10 .122	15.10 .594	14.70 .579	3.50 .138	2.30 .091
10	14.99 .590	12.78 .503	6.50 .256	-	17.06 .672	1.97 .078	24.22 .954	18.26 .719	3.10 .122	3.10 .122	18.25 .719	17.50 .689	3.50 .138	2.30 .091
12	19.05 .750	12.78 .503	6.50 .256	7.75 .305	19.83 .781	1.97 .078	26.58 1.046	20.62 .812	3.10 .122	3.10 .122	20.60 .811	20.20 .795	3.50 .138	2.30 .091
14	22.23 .875	12.78 .503	6.50 .256	7.75 .305	23.01 .906	1.97 .078	28.96 1.140	23.01 .906	3.10 .122	3.10 .122	23.00 .906	23.40 .921	3.50 .138	2.30 .091
16	25.40 1.000	12.78 .503	6.50 .256	7.75 .305	26.18 1.031	1.97 .078	31.33 1.233	24.61 .969	3.10 .122	3.10 .122	24.60 .969	26.60 1.047	3.50 .138	2.30 .091
18	28.58 1.125	12.78 .503	6.50 .256	7.75 .305	29.36 1.156	1.97 .078	33.72 1.328	26.97 1.062	3.10 .122	3.10 .122	27.00 1.063	29.80 1.173	3.50 .138	2.30 .091
20	31.75 1.250	14.82 .583	6.10 .240	7.30 .287	31.74 1.250	2.38 .094	36.90 1.453	29.37 1.156	3.10 .122	3.10 .122	29.40 1.157	32.20 1.268	3.50 .138	5.40 .213
22	34.93 1.375	14.82 .583	6.10 .240	7.30 .287	34.92 1.375	2.38 .094	40.07 1.578	31.75 1.250	3.10 .122	3.10 .122	31.75 1.250	35.30 1.390	3.50 .138	5.40 .213
24	38.10 1.500	15.62 .615	5.40 .209	6.50 .256	38.09 1.500	2.38 .094	43.26 1.703	34.92 1.375	3.75 .148	3.80 .150	34.90 1.374	38.40 1.512	3.50 .138	5.40 .213

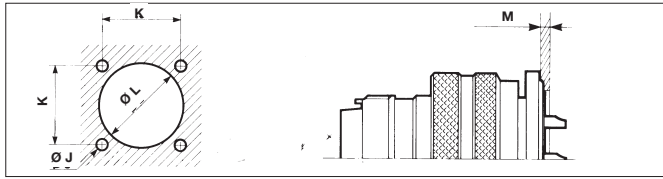
8525 Series



Square flange hermetic receptacle type 02 H specif. 002

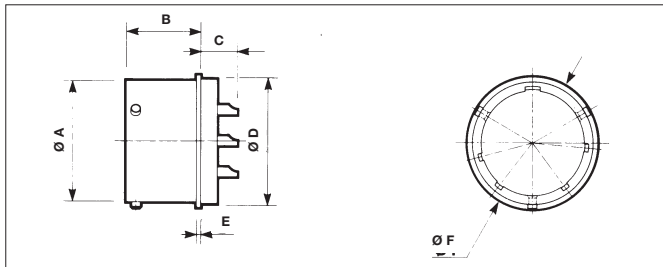


panel cut-out

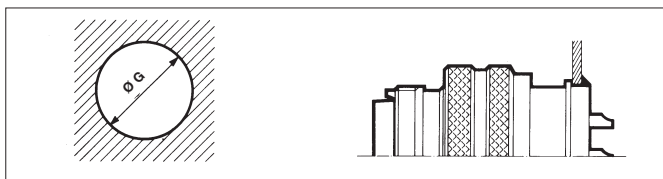


shell size	A	B	C		D	E	F	G	H	J	K	L	M
	Max	Max	#20	#12-#16	Max	Max	Max						
8	12.02 .473	13.56 .534	5.75 .226	- -	14.27 .562	2.75 .108	26.40 1.039	18.10 .713	3.80 .150	3.80 .150	18.10 .713	14.70 .579	3.50 .138
10	14.99 .590	13.56 .534	5.75 .226	- -	17.06 .672	2.75 .108	28.90 1.138	20.62 .812	3.80 .150	3.80 .150	20.62 .812	17.50 .689	3.50 .138
12	19.05 .750	13.56 .534	5.75 .226	7.00 .276	19.83 .781	2.75 .108	32.10 1.264	23.82 .938	3.80 .150	3.80 .150	23.82 .938	20.20 .795	3.50 .138
14	22.23 1.125	13.56 .534	5.75 .226	7.00 .276	23.01 .906	2.75 .108	34.50 1.449	26.18 1.125	3.80 .150	3.80 .150	26.18 1.125	23.40 1.047	3.50 .138
16	25.40 1.000	13.56 .534	5.75 .226	7.00 .276	26.18 1.031	2.75 .108	36.80 1.449	28.57 1.125	3.80 .150	3.80 .150	28.57 1.125	26.60 1.047	3.50 .138
18	28.58 1.125	13.56 .534	5.75 .226	7.00 .276	29.36 1.156	2.75 .108	38.80 1.528	30.55 1.203	3.80 .150	3.80 .150	30.55 1.203	29.80 1.173	3.50 .138
20	31.75 1.250	15.99 .630	4.95 .195	6.20 .244	31.74 1.250	3.55 .140	42.80 1.685	32.94 1.297	3.80 .150	3.80 .150	32.94 1.297	32.20 1.268	3.50 .138
22	34.93 1.375	15.99 .630	4.95 .195	6.20 .244	34.92 1.375	3.55 .140	44.80 1.764	34.92 1.375	3.80 .150	3.80 .150	34.92 1.375	35.30 1.390	3.50 .138
24	38.10 1.500	16.79 .661	4.15 .163	5.40 .213	38.09 1.500	3.55 .140	47.90 1.886	38.10 1.500	3.80 .150	3.80 .150	38.10 1.500	38.40 1.512	3.50 .138

Solder mounting hermetic receptacle type IH

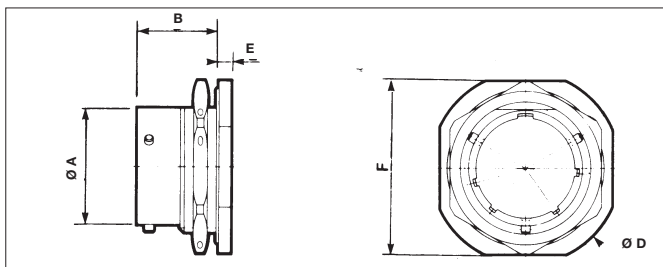


panel cut-out



shell size	A	B	C		D	E	F	G
	Max	Max	#20	#12-#16	Max	Max	Max	Max
8	12.02 .473	11.71 .461	7.60 .299	- -	14.27 .562	0.90 .035	16.12 .635	14.70 .579
10	14.99 .590	11.71 .461	7.60 .299	- -	17.06 .672	0.90 .035	19.30 .760	17.50 .689
12	19.05 .750	11.71 .461	7.60 .299	8.80 .346	19.83 .781	0.90 .035	21.68 .854	20.20 .795
14	22.23 .875	11.71 .461	7.60 .299	8.80 .346	23.01 .906	0.90 .035	24.86 .979	23.40 .921
16	25.40 1.000	11.71 .461	7.60 .299	8.80 .346	26.18 1.031	0.90 .035	28.03 1.104	26.60 1.047
18	28.58 1.125	11.71 .461	7.60 .299	8.80 .346	29.36 1.156	0.90 .035	31.18 1.228	29.80 1.173
20	31.75 1.250	13.34 .525	7.55 .297	8.80 .346	31.74 1.250	0.90 .035	33.57 1.322	32.10 1.264
22	34.92 1.375	13.34 .525	7.55 .297	8.80 .346	34.92 1.375	0.90 .035	36.77 1.448	35.30 1.390
24	38.10 1.500	14.14 .557	6.75 .266	8.00 .315	38.09 1.500	0.90 .035	39.94 1.572	38.40 1.512

Jam nut hermetic receptacle type 07H



panel cut-out

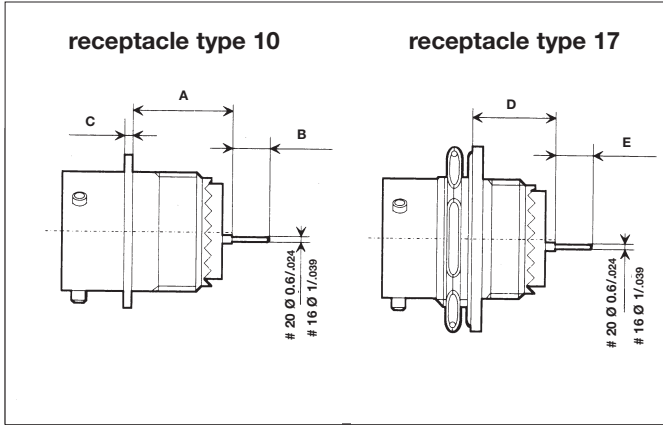


shell size	A	B	D	E	F	G	H	J min	J Max
	Max	Max	Max	Max	Max				
8	12.02 .473	17.70 .697	27.37 1.078	2.65 .104	24.07 .948	14.60 .575	13.60 .535	1.57 .062	4.75 .187
10	14.99 .590	17.70 .697	30.57 1.204	2.65 .104	27.22 1.072	17.70 .697	16.80 .661	1.57 .062	4.75 .187
12	19.05 .750	17.70 .697	35.32 1.391	2.65 .104	32.00 1.260	22.70 .894	20.90 .823	1.57 .062	4.75 .187
14	22.23 .875	17.70 .697	38.50 1.516	2.65 .104	35.17 1.385	25.70 1.012	24.10 .949	1.57 .062	4.75 .187
16	25.40 1.000	17.70 .697	41.67 1.641	2.65 .104	38.35 1.510	28.80 1.134	27.20 1.071	1.57 .062	4.75 .187
18	28.58 1.125	17.70 .697	44.85 1.766	2.65 .104	41.52 1.635	32.00 1.260	30.40 1.197	1.57 .062	4.75 .187
20	31.75 1.250	19.30 .760	49.62 1.954	3.40 .134	46.27 1.822	35.20 1.386	33.60 1.323	1.57 .062	6.35 .250
22	34.93 1.375	19.30 .760	52.77 2.078	3.40 .134	49.47 1.948	38.40 1.512	36.80 1.449	1.57 .062	6.35 .250
24	38.10 1.500	19.30 .760	55.97 2.204	3.40 .134	52.62 2.072	41.50 1.634	39.90 1.571	1.57 .062	5.55 .219

8525 Series



Receptacle with straight spill contacts



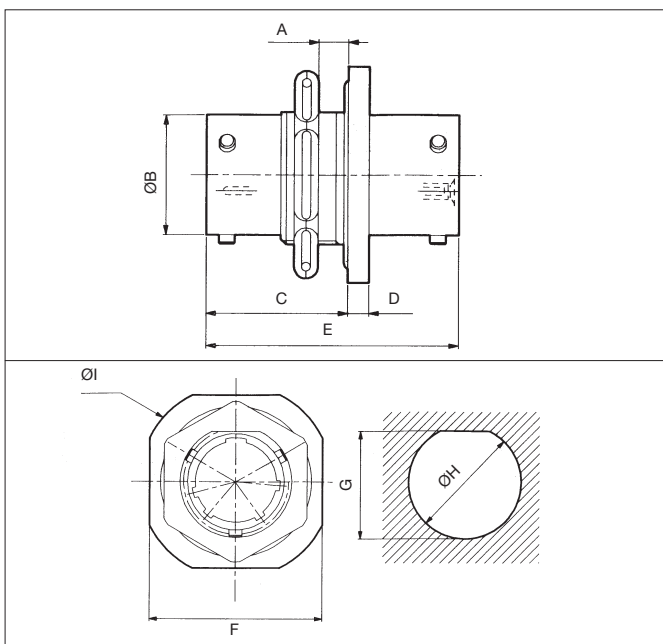
shell size		8	10	12	14	16	18	20	22	24
TYPE 10	A	min	16.30 .642	16.30 .642	16.30 .642	16.30 .642	16.30 .642	14.40 .567	14.40 .567	13.60 .535
		Max	17.50 .689	17.50 .689	17.50 .689	17.50 .689	15.50 .610	17.50 .689	15.70 .618	15.10 .594
	B	0/-0.2	7.30 .287	7.30 .287	7.30 .287	7.30 .287	7.30 .287	7.30 .287	7.30 .287	7.30 .287
TYPE 17	D	min	12.50 .492	12.50 .492	12.50 .492	12.50 .492	12.50 .492	12.50 .492	12.50 .492	12.50 .492
		Max	13.40 .528	13.40 .528	13.40 .528	13.40 .528	13.40 .528	13.40 .528	13.40 .528	13.40 .528
	E	0/-0.2	7.30 .287	7.30 .287	7.30 .287	7.30 .287	7.30 .287	7.30 .287	7.30 .287	7.30 .287

Pin / socket hermetic through bulkhead (Specials SHTP)

Ordering information

basic series	SN 845	- * * - * *	PS	*
contact layout	please contact us			
contact type	male / female			
polarization	please contact us			

Dimensions



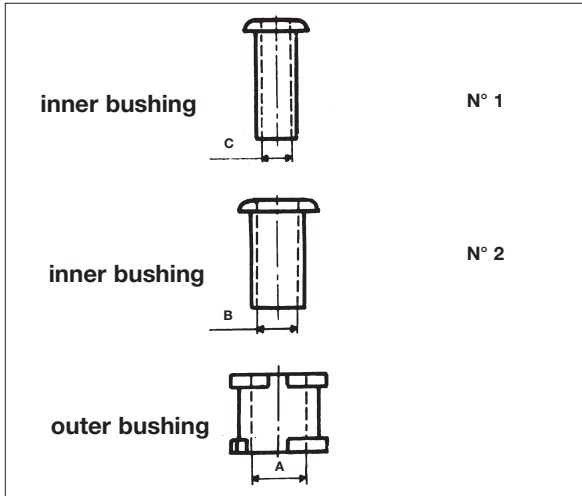
shell size	A Max	B	C	D	E	F	G	H	I
8	4.75 .187	12.02 .473	17.70 .697	2.60 .102	31.40 1.236	23.82 .938	13.60 .535	14.60 .575	26.97 1.062
10	4.75 .187	14.99 .590	17.70 .697	2.60 .102	31.40 1.236	26.97 1.062	16.80 .661	17.70 .697	30.17 1.188
12	4.75 .187	19.05 .750	17.70 .697	2.60 .102	31.40 1.236	31.75 1.250	20.90 .823	22.70 .894	34.92 1.375
14	4.75 .187	22.23 .875	17.70 .697	2.60 .102	31.40 1.236	34.92 1.375	24.10 .949	25.70 1.012	38.10 1.500
16	4.75 .187	25.40 1.000	17.70 .697	2.60 .102	31.40 1.236	38.10 1.500	27.20 1.071	28.80 1.134	41.27 1.625
18	4.75 .187	28.58 1.125	17.70 .697	2.60 .102	31.40 1.236	41.27 1.625	30.40 1.197	32.00 1.260	44.45 1.750
20	6.35 .250	31.75 1.250	19.30 .760	3.40 .134	34.60 1.362	46.02 1.812	33.60 1.323	35.20 1.386	49.22 1.938
22	6.35 .250	34.93 1.375	19.30 .760	3.40 .134	34.60 1.362	49.22 1.938	36.80 1.449	38.40 1.512	52.37 2.062
24	5.55 .219	38.10 1.500	19.30 .760	3.40 .134	34.60 1.362	52.37 2.062	39.90 1.571	41.50 1.634	55.57 2.188

8525 Series



Accessories

Backshell bushings



part numbers

shell size	outer bushings	inner bushings N°1	inner bushings N°2	A	B	C
8	8525-866 A	-	-	3.00 .118	-	-
10	8525-867 A	-	-	4.00 .157	-	-
12	8525-868 A	8525-860 A	-	7.92 .312	5.58 .220	-
14	8525-869 A	8525-861 A	-	11.09 .437	7.92 .312	-
16	8525-870 A	8525-861 A	-	11.09 .437	7.92 .312	-
18	8525-871 A	8525-862 A	8525-861 A	14.27 .562	11.09 .437	7.92 .312
20	8525-872 A	8525-863 A	8525-862 A	15.87 .625	14.27 .562	11.09 .437
22	8525-873 A	8525-864 A	8525-863 A	19.04 .750	15.87 .625	14.27 .562
24	8525-874 A	8525-865 A	8525-864 A	23.79 .937	19.04 .750	15.87 .625

Gaskets

shell size	gaskets for square flange receptacle types 10 and 02 H (ordered separately)	part numbers		
		O-rings for jam nut receptacle type 17	O-rings for square flange receptacle type 07 H (spare O-ring)	O-rings for square flange receptacle type 02 H suffix. 002 (spare O-ring)
8	8525-1431	MS9068-016	70617 A	70617 A
10	8525-1432	MS9068-018	70618 A	70618 A
12	8525-1433	MS9068-021	70619 A	70619 A
14	8525-1434	MS9068-023	70620 A	70620 A
16	8525-1435	MS9068-025	70621 A	70621 A
18	8525-1436	MS9068-027	70622 A	70622 A
20	8525-1437	MS9068-029	70623 A	70709 A
22	8525-1438	MS9068-030	70624 A	70623 A
24	8525-1439	MS9068-031	70625 A	70624 A

Reusable fixing plate

Two, three or four-holes self-locking fixing-plates are available at SHTP see page 126.

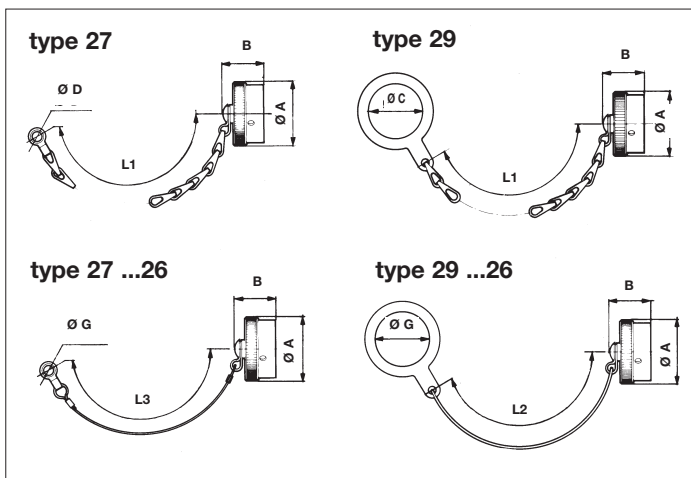
8525 Series



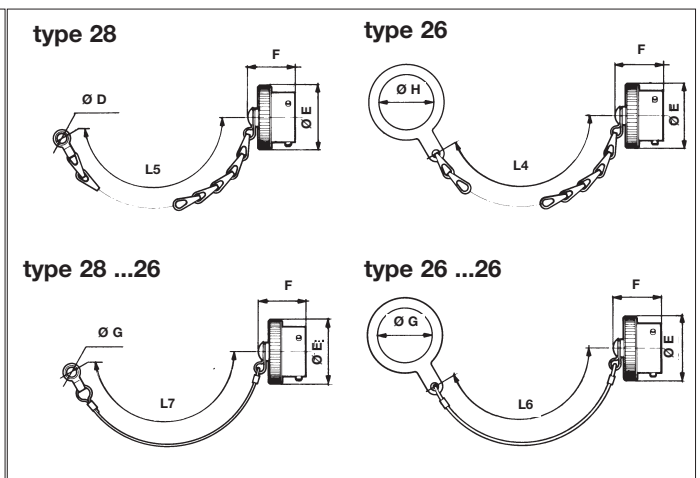
Caps

basic series	852 - 28 R 18 ••
cap type	26 - cap for plug (fixing on plug) 27 - cap for square flange receptacle 28 - cap for plug (fixing on backshell) 29 - cap for jam nut receptacle
plating	R - black anodized N - nickel J - yellow cadmium
shell size	08-10-12-14-16-18-20-22-24
specification	— - metal chain, leave blank 26 - nylon cord

caps for receptacle



caps for plug



shell size	A Max	B Max	C Max	D	E Max	F Max	G	H Max	L1	L2	L3	L4	L5	L6	L7
8	19.00 .748	21.50 .846	14.80 .583	3.50 .138	16.80 .661	19.90 .783	3.50 .138	14.80 .583	84.00 3.307	80.00 3.150	128.00 5.039	84.00 3.307	132.00 5.197	80.00 3.150	128.00 5.039
10	21.80 .858	21.50 .846	18.00 .709	3.50 .138	19.80 .780	19.90 .783	3.50 .138	17.90 .705	84.00 3.307	80.00 3.150	128.00 5.039	84.00 3.307	132.00 5.197	80.00 3.150	128.00 5.039
12	26.10 1.028	21.50 .846	22.70 .894	3.50 .138	23.90 .941	19.90 .783	3.50 .138	22.70 .894	100.00 3.937	90.00 3.543	140.00 5.512	100.00 3.937	148.00 5.827	90.00 3.543	140.00 5.512
14	29.30 1.154	21.50 .846	25.90 1.020	3.50 .138	27.00 1.063	19.90 .783	3.50 .138	25.90 1.020	100.00 3.937	90.00 3.543	140.00 5.512	100.00 3.937	148.00 5.827	90.00 3.543	140.00 5.512
16	32.50 1.280	21.50 .846	29.00 1.142	3.50 .138	30.20 1.189	19.90 .783	3.50 .138	29.00 1.142	100.00 3.937	90.00 3.543	140.00 5.512	100.00 3.937	148.00 5.827	90.00 3.543	140.00 5.512
18	35.30 1.390	21.50 .846	32.20 1.268	3.50 .138	33.40 1.315	19.90 .783	3.50 .138	32.20 1.268	100.00 3.937	90.00 3.543	140.00 5.512	100.00 3.937	148.00 5.827	90.00 3.543	140.00 5.512
20	38.80 1.528	21.50 .846	35.40 1.394	3.50 .138	36.50 1.437	21.50 .846	3.50 .138	35.40 1.394	116.00 4.567	110.00 4.331	153.00 6.024	116.00 4.567	116.00 4.567	110.00 4.331	153.00 6.024
22	42.00 1.654	21.50 .846	38.60 1.520	3.50 .138	39.80 1.567	21.50 .846	3.50 .138	38.60 1.520	116.00 4.567	110.00 4.331	153.00 6.024	116.00 4.567	116.00 4.567	110.00 4.331	153.00 6.024
24	45.10 1.776	22.30 .878	41.70 1.642	3.50 .138	42.90 1.689	22.30 .878	3.50 .138	41.70 1.642	116.00 4.567	110.00 4.331	153.00 6.024	116.00 4.567	116.00 4.567	110.00 4.331	153.00 6.024

X-ON Electronics

Largest Supplier of Electrical and Electronic Components

Click to view similar products for [Circular MIL Spec Connector](#) category:

Click to view products by [Sunbank](#) manufacturer:

Other Similar products are found below :

[0025-262-542](#) [0025-264-3014](#) [58-570121-04S](#) [0134-202-1200](#) [0134-207-1206](#) [0134-207-1800](#) [0134-207-2207](#) [0134-213-0806](#) [0134-213-1007](#) [0134-213-1009](#) [0134-213-1208](#) [0134-213-1800](#) [0134-213-2209](#) [0025-258-000](#) [015-9516-002](#) [60-042722-19P](#) [0114-201-1278](#) [602GB06EG24-61SN](#) [0134-201-1207](#) [0134-201-1806](#) [0134-201-2006](#) [0134-201-2007](#) [0134-201-2010](#) [0134-202-1400](#) [0134-207-0809](#) [0134-207-1208](#) [0134-207-2009](#) [0134-213-1006](#) [6104-207-2302](#) [6104-208-1902](#) [6104-215-0902](#) [6131-202-19149P](#) [6131-204-21149P](#) [6131-207-13149P](#) [6131-208-13149P](#) [6131-209-17149P](#) [6131-210-11149P](#) [6131-211-19149P](#) [6131-216-19149P](#) [6131-220-25149P](#) [6131-259-11149P](#) [6131-259-21149P](#) [6131-259-23149P](#) [6131-263-19149P](#) [6131-265-17149P](#) [6131-265-19149P](#) [CS3102A-20-15P](#) [CS3102A-20-15S](#) [CS3106A-10SL-53S](#) [CS3106A-10SL-64S](#)