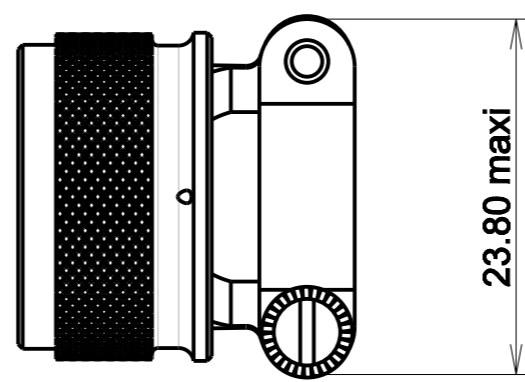
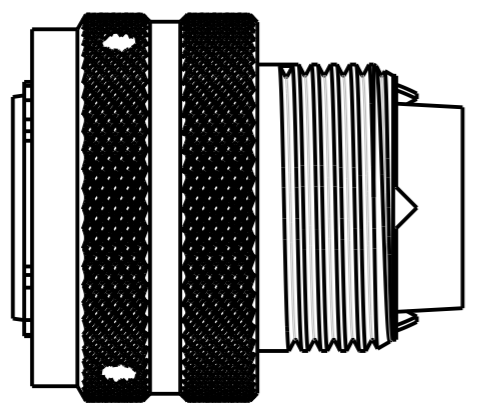
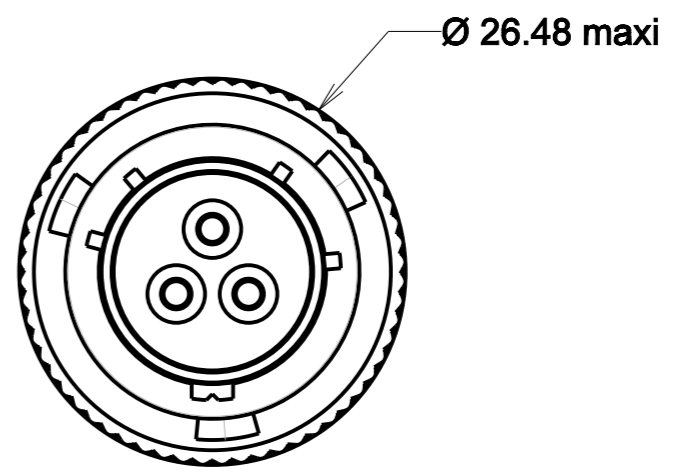
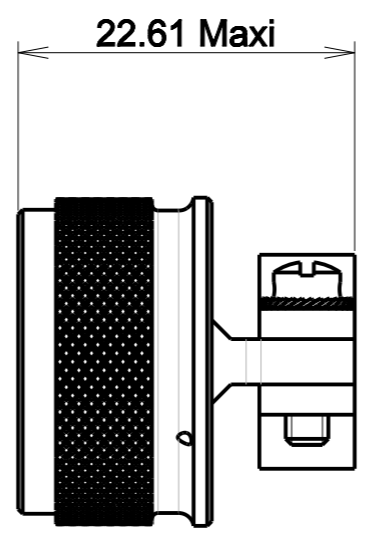
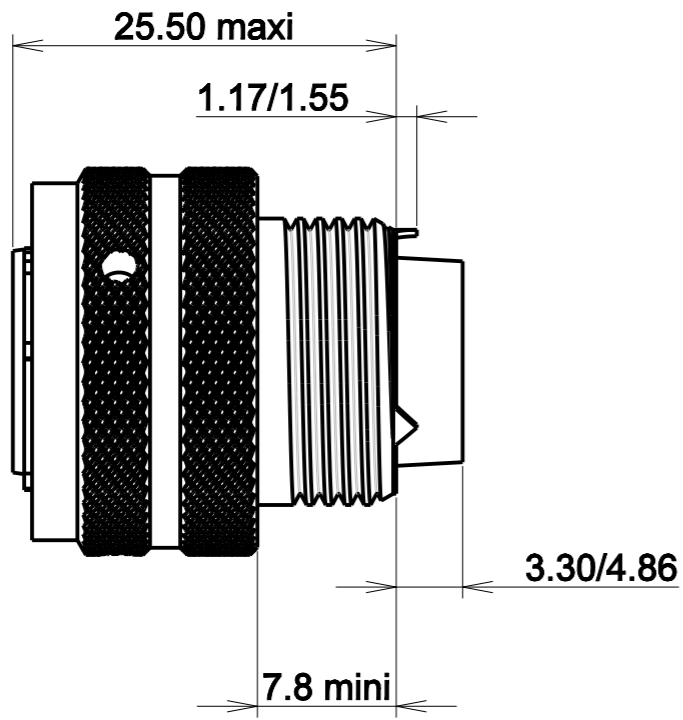


a : 1 ; RL



THIS PROJECT IS ON HOLD
UNTIL THE SPECIFICATION HAS BEEN AGREED
AND APPROVED BY THE CUSTOMER
PLEASE SIGN AND RETURN TO SOURIAU

SPECIFICATION APPROVAL

PRINT NAME :

DATE :

SIGNATURE :

P/N : SEE TABLE

PART NUMBER : 8525-16R12B3SNH002

- Plug without RFI shelding
- Plating : - R : Black anodized
- Contact layout
- Contact type - S : Socket
- Specification 002 : With straight cable clamp
- Rear teeth : - H : 3 rear teeth at 120 degrees
- Orientation : - N

a	02/05/2011	FIRST ISSUE		
ISS	DATE	Latest modification - by:	PAYSAN A.	MOD N°
Designed by:		PAYSAN A.	Date: 02/05/2011	CUSTOMER DRAWING
TITLE		8525 CONNECTOR TYPE 16 SPECIFICATION 002 WITH STRAIGHT CABLE CLAMP		
Scale	2/1	General linear Tolerances: ± --	NPRDS / PROJECT N/A	
		WWW.SOURIAU.COM		This document is the property of SOURIAU It must not be reproduced or communicated without permission
FORMAT	A3	SOURIAU DRG N° C843-J525-A		SHEET 1/1

NOT EXPORT CONTROLLED

X-ON Electronics

Largest Supplier of Electrical and Electronic Components

Click to view similar products for [Sunbank](#) manufacturer:

Other Similar products are found below :

[MS27468T19B35S](#) [M85049/60-1W12](#) [M85049/6-28W](#) [M85049/88-9N03](#) [D3899920FC8PN](#) [D38999/20WA35SN](#) [D3899920WJ35PN](#)
[D3899924FA98SN](#) [D3899924WH35AN](#) [D38999/26KJ35PN](#) [ETH1-1101A](#) [82913603A](#) [851-02E128P50](#) [851-02E1412P5016](#) [851-06E106P50](#)
[851-06EC123S50](#) [851-06EC833P50](#) [851-07R1626P50](#) [85202A14](#) [8D109B02](#) [8D525F08AA](#) [8DA003Z05SN](#) [8DA603Z05PN](#)
[8DA705F06PN](#) [8ST508G98SN](#) [8ST7-12G35PN](#) [RBGT-2](#) [D38999/26WG35PN](#) [RCS16M23D28](#) [MS25043-36D](#) [MS27467T19B35S](#)
[MS27467T25F37S](#) [JBX2OUTLP09](#) [JBX2OUTLS07](#) [JBX2OUTLS09](#) [JBX2OUTLS13](#) [JBX2OUTLT20](#) [JBXFN0A07ME360J2](#)
[JBXOUTDC07](#) [8D39C15F35PN](#) [8STA61235PA](#) [8STA62035SN](#) [RBDSC-2](#) [M85049/1911W02](#) [M85049/1913N04](#) [M85049/39S11W](#)
[M85049/39S13W](#) [M85049/39S19W](#) [M85049/52S12W](#) [M85049/8-9N](#)