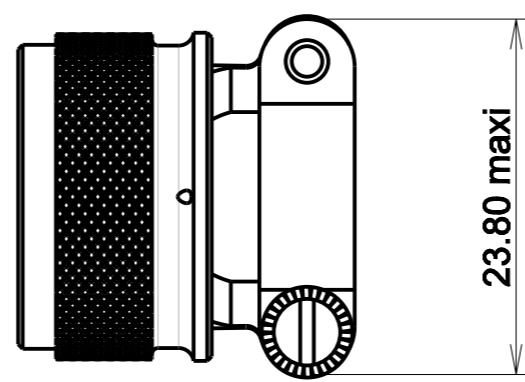
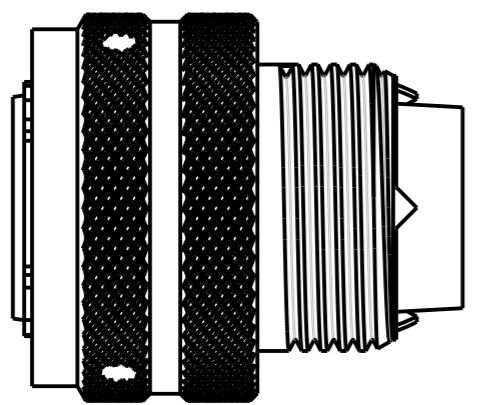
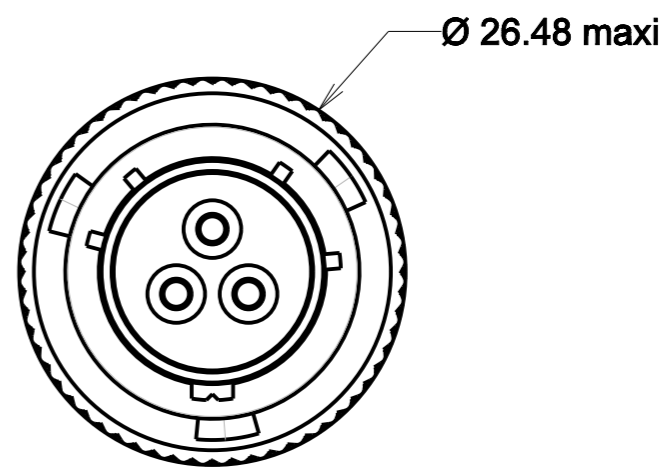
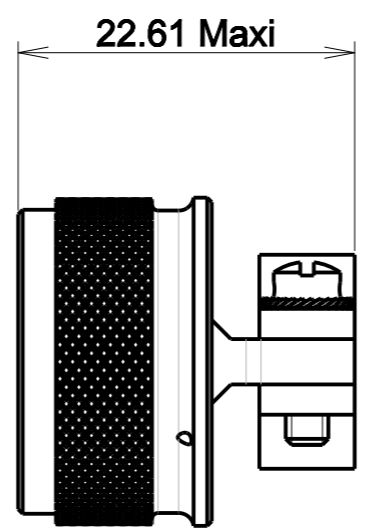
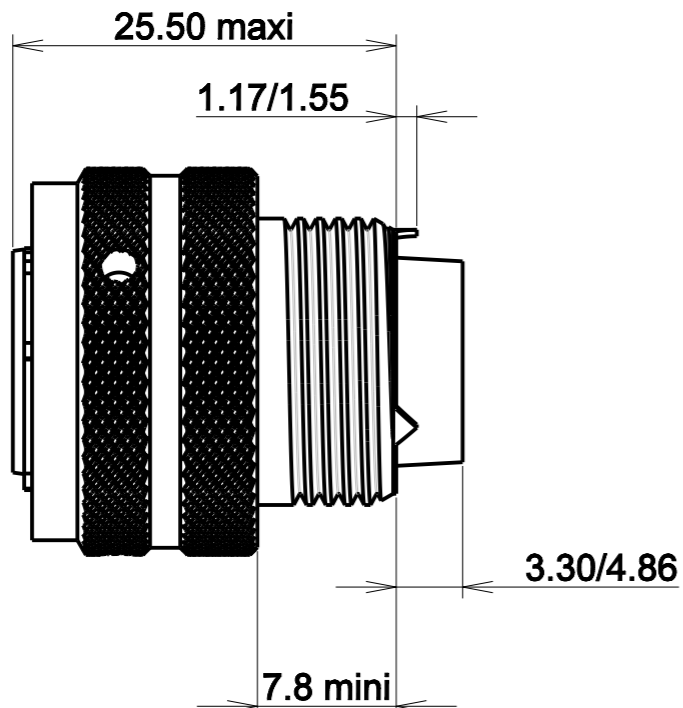


a : 1 ; RL



THIS PROJECT IS ON HOLD
UNTIL THE SPECIFICATION HAS BEEN AGREED
AND APROVED BY THE CUSTOMER
PLEASE SIGN AND RETURN TO SOURIAU

SPECIFICATION APPROVAL

PRINT NAME :
DATE :
SIGNATURE :

P/N : SEE TABLE

PART NUMBER : 8525-16R12B3SNH002

- Plug without RFI shelding
- Plating : - R : Black anodized
- Contact layout
- Contact type - S : Socket
- Specification 002 : With straight cable clamp
- Rear teeth : - H : 3 rear teeth at 120 degrees
- Orientation : - N

a	02/05/2011	FIRST ISSUE		
ISS	DATE	Latest modification - by:	PAYSAN A.	MOD N°
Designed by:		PAYSAN A.	Date: 02/05/2011	CUSTOMER DRAWING
TITLE		8525 CONNECTOR TYPE 16 SPECIFICATION 002 WITH STRAIGHT CABLE CLAMP		
Scale	2/1	General linear Tolerances: ± --	NPRDS / PROJECT N/A	
		WWW.SOURIAU.COM		This document is the property of SOURIAU It must not be reproduced or communicated without permission
FORMAT	A3	SOURIAU DRG N° C843-J525-A		SHEET 1/1

NOT EXPORT CONTROLLED

X-ON Electronics

Largest Supplier of Electrical and Electronic Components

Click to view similar products for [Circular MIL Spec Connector](#) category:

Click to view products by [Sunbank](#) manufacturer:

Other Similar products are found below :

[0025-262-542](#) [0025-264-3014](#) [58-570121-04S](#) [0134-202-1200](#) [0134-207-1206](#) [0134-207-1800](#) [0134-207-2207](#) [0134-213-0806](#) [0134-213-1007](#) [0134-213-1009](#) [0134-213-1208](#) [0134-213-1800](#) [0134-213-2209](#) [0025-258-000](#) [015-9516-002](#) [60-042722-19P](#) [0114-201-1278](#) [602GB06EG24-61SN](#) [0134-201-1207](#) [0134-201-1806](#) [0134-201-2006](#) [0134-201-2007](#) [0134-201-2010](#) [0134-202-1400](#) [0134-207-0809](#) [0134-207-1208](#) [0134-207-2009](#) [0134-213-1006](#) [6104-207-2302](#) [6104-208-1902](#) [6104-215-0902](#) [6131-202-19149P](#) [6131-204-21149P](#) [6131-207-13149P](#) [6131-208-13149P](#) [6131-209-17149P](#) [6131-210-11149P](#) [6131-211-19149P](#) [6131-216-19149P](#) [6131-220-25149P](#) [6131-259-11149P](#) [6131-259-21149P](#) [6131-259-23149P](#) [6131-263-19149P](#) [6131-265-17149P](#) [6131-265-19149P](#) [CS3102A-20-15P](#) [CS3102C18-4P-472](#) [CS3106A-10SL-53S](#) [CS3106A-10SL-64S](#)