

Miniature Lightweight High Density Connectors





## Contents

|  |         |
|--|---------|
| Overview .....                               | 4       |
| Features and benefits .....                  | 5 - 6   |
| Comparison with high density D-Sub .....     | 7       |
| Comparison with micro-D .....                | 8       |
| Technical Features .....                     | 9 - 12  |
| Weight - Mating Forces .....                 | 12      |
| Contact layouts .....                        | 13      |
| Contact types .....                          | 14      |
| Ordering information .....                   | 15      |
| Crimp removable contacts .....               | 16      |
| Mating dimensions and contact position ..... | 17      |
| Wiring instructions .....                    | 17 - 18 |
| Dimensions .....                             | 19 - 21 |
| Mounting operations and hardware .....       | 22 - 27 |
| Mounting hardware .....                      | 28 - 31 |
| Hermetic feedthrough .....                   | 32 - 34 |
| EMI Backshells .....                         | 35 - 38 |
| Dust Caps .....                              | 39      |
| Under development .....                      | 40      |



## Overview

### Description

To respond to miniaturization and weight saving trends in aeronautical and defense applications SOURIAU has developed an innovative high density connector range: *microComp®* is the alternative to High Density (HD), D-Sub and micro-D.

- Very light: shell in composite (or aluminum). Up to 66% lighter than HD/D-Sub
- Very high density up to 40% smaller than HD D-Sub
- With crimp removable contacts for wire AWG 24 to 28
- Temperature up to 175°C
- High vibration and shock withstanding
- Standard MIL-STD 83513 accessories
- Compatible with high speed data rates (Gigabit Ethernet...)



### Applications

For civil aviation, military aircraft, rotorcraft, UAV and military equipment:

- Radar
- Engine Control Unit
- Missiles & Weapon systems
- Flight test equipment
- Data acquisition equipment
- Cockpit equipment & Avionics
- In Flight Entertainment Systems
- Displays
- Infrared cameras
- Battery management system
- ... and any electronic device with space and weight constraints



For space applications please consult our dedicated Space Grade *microComp®* catalog

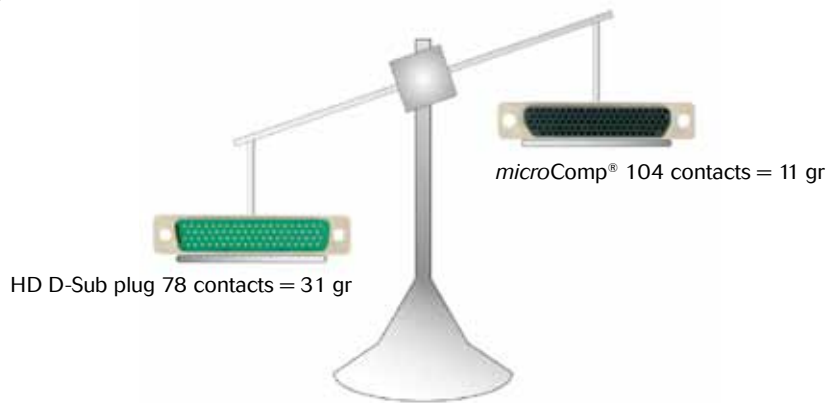


## Features and benefits

### Composite Shell Benefit

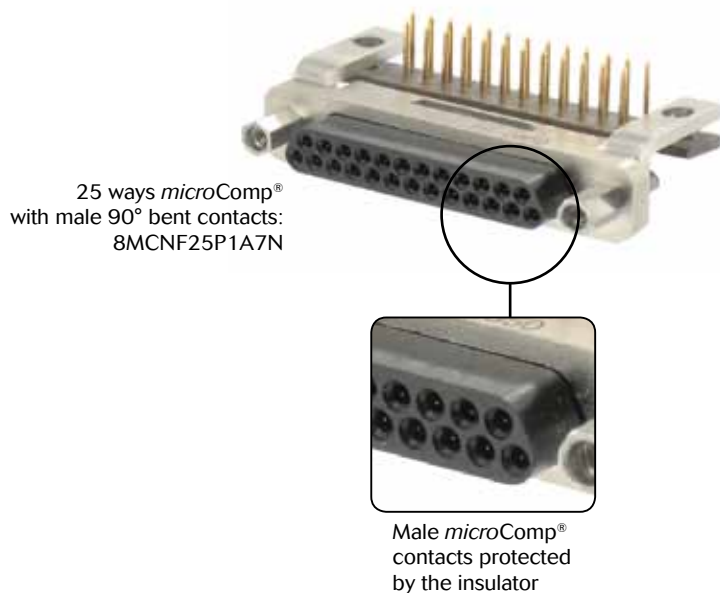
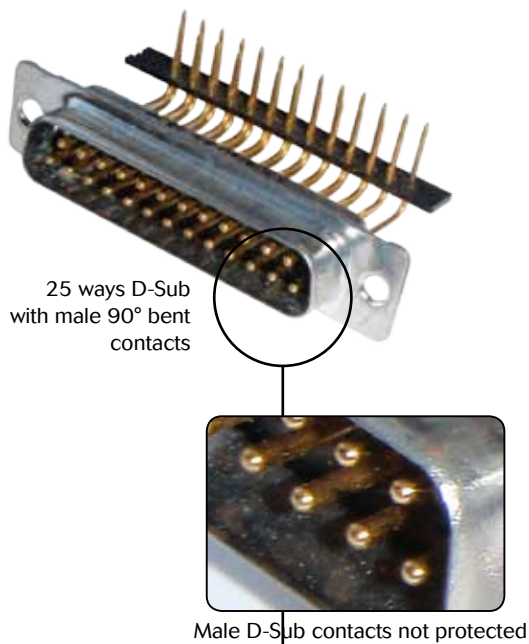
microComp® shells are available in strengthened fiber glass material for a maximum mechanical resistance. Composite shells are up to 36% lighter than aluminum shells.

The advanced «Nickel over composite» plating process used on microComp® has been qualified on SOURIAU MIL-DTL-38999 product range (technology selected by Boeing and Airbus, provides optimized shielding and shell-to-shell continuity).



### microComp® male contacts are protected

microComp® male connectors are tamper proof. On HD D-Sub and D-Sub male contacts are the fragile parts of the connector because they can easily be bent. On microComp® male contacts are fully shrouded by the insulator: they are protected and can't be bent.





## Features and benefits

### Ethernet performances

With its very short contacts, *microComp*® has very good performances for Ethernet.

#### Fully Ethernet 100 base T compatible :

Fit up to 4 Ethernet links into a 25 ways *microComp*®  
 Compatible with standard Ethernet Quad wires  
 Reach up to cat 6 performances (TIA/EIA 568-B)

#### Fully Ethernet 1000 base T compatible :

Fit up to 2 Ethernet links in to a 25 ways *microComp*®  
 No need to ground the pins between the quads.  
 Reach cat 5e performances (TIA/EIA 568-B)



|                          |  |          |
|--------------------------|--|----------|
| 1 quad                   |  | > Cat 6  |
| N quad with segregation  |  | > Cat 5e |
| N pairs with segregation |  | Cat 6    |



Exemple of configuration: 4 quad + 1 contact for signal in a size F shell

Please consult us ([microcomp@souriau.com](mailto:microcomp@souriau.com)) for more information about the wiring for Ethernet links



## Comparison with high density D-Sub

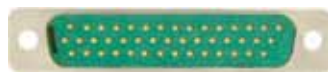
### microComp® benefits:

**Save room and weight on your equipment:** for signal applications, replace your HD D-Sub with *microComp*® and reduce your equipment dimensions and weight.

### HD D-Sub



26 cts



44 cts



78 cts

### microComp®



25 cts



51 cts



104 cts

### Size comparison: *microComp*® is smaller

Comparison between the max dimensions given in *microComp*® standard (ESCC 3401/081) and in HD D-Sub standard (MIL-DTL 24308).

|                                   | <i>microComp</i> ®   | HD-DSub              | <i>microComp</i> ®  | HD-DSub              | <i>microComp</i> ®  | HD-DSub              |
|-----------------------------------|----------------------|----------------------|---------------------|----------------------|---------------------|----------------------|
| Number of contacts                | 25                   | 26                   | 51                  | 44                   | 104                 | 78                   |
| Front dimension (max)             | 2,9 cm <sup>2</sup>  | 5,1 cm <sup>2</sup>  | 4,3 cm <sup>2</sup> | 6,9 cm <sup>2</sup>  | 7,8 cm <sup>2</sup> | 12,1 cm <sup>2</sup> |
| Size saving / HD Dsub             | -42%                 |                      | -37%                |                      | -35%                |                      |
| Surface per contact               | 11,8 mm <sup>2</sup> | 19,7 mm <sup>2</sup> | 8,5 mm <sup>2</sup> | 15,7 mm <sup>2</sup> | 7,5 mm <sup>2</sup> | 11,6 mm <sup>2</sup> |
| Size saving per contact / HD Dsub | -40%                 |                      | -46%                |                      | -35%                |                      |

### Weight comparison: → *microComp*® is lighter

Comparison between the max weight given in *microComp*® standard (ESCC 3401/081, 082, 083) and in HD D-Sub standard (ESCC 3401 001/002/005).

|  | <i>microComp</i> ® | HD-DSub  | <i>microComp</i> ® | HD-DSub  | <i>microComp</i> ® | HD-DSub  |
|--|--------------------|----------|--------------------|----------|--------------------|----------|
| Number of contacts                                   | 25                 | 26       | 51                 | 44       | 104                | 78       |
| Plug without cable                                   | 3,60 gr            | 9,48 gr  | 6,01 gr            | 14,52 gr | 10,99 gr           | 31,32 gr |
| Receptacle with 90° spills                           | 4,60 gr            | 14,00 gr | 8,39 gr            | 22,14 gr | 17,54 gr           | 51,04 gr |
| Average weight per contact                           | 0,33 gr            | 0,90 gr  | 0,28 gr            | 0,83 gr  | 0,27 gr            | 0,79 gr  |
| Weight saved per contact with <i>microComp</i> ® (%) | -64%               |          | -66%               |          | -65%               |          |

### Mating force comparison: → *microComp*® is easier to mate and unmate

even with more than 100 contacts.

Comparison between the max mating/unmating force given in *microComp*® standard (ESCC 3401/081) and in HD D-sub standard (MIL-DTL 24308)

|                               | <i>microComp</i> ® | HD-Dsub | <i>microComp</i> ® | HD-Dsub | <i>microComp</i> ® | HD-Dsub |
|-------------------------------|--------------------|---------|--------------------|---------|--------------------|---------|
| Number of contacts            | 25                 | 26      | 51                 | 44      | 104                | 78      |
| Max mating/unmating force (N) | 43N                | 76N     | 87N                | 125N    | 179N               | 289N    |
| Difference in N               | 33N                |         | 38N                |         | 110N               |         |
| Saving in %                   | -44%               |         | -30%               |         | -38%               |         |





## Comparison with micro-D

### microComp® benefits:

**Save money:** global cost of ownership is less expensive for *microComp*® than for micro-D. With micro-D any change in design or quality issue leads to complete harness replacement as micro-D are pre-wired and non repairable. *microComp*® solution is more flexible thanks to the removable crimp contacts.

**Save time in development:** *microComp*® has removable crimp contacts so you can easily and quickly change your harness configuration.

**Save weight:** the high technology composite shells (strengthened fiber glass material for maximum mechanical resistance) makes *microComp*® very light and robust.

**Same panel cut-out:** *microComp*® connectors have the same external dimensions as MIL-DTL 83513 (except for size H and J).

**Easier to use:** mating and unmating force is lower for *microComp*® than for micro-D.

### Weight comparison: → *microComp*® is lighter

Comparison between the max weight (connector + contacts) given in *microComp*® standard (ESCC 3401/081, 082, 083) and in micro-D standard (ESCC 3401/029).

|  | <i>microComp</i> ® | micro-D | <i>microComp</i> ® | micro-D  | <i>microComp</i> ® | micro-D  |
|--|--------------------|---------|--------------------|----------|--------------------|----------|
| Number of contacts                                   | 7                  | 9       | 25                 | 25       | 51                 | 51       |
| Plug without cable                                   | 1,42 gr            | 2,20 gr | 3,60 gr            | 4,30 gr  | 6,01 gr            | 7,20 gr  |
| Receptacle with 90° spills                           | 1,68 gr            | 7,40 gr | 4,60 gr            | 10,20 gr | 8,39 gr            | 16,50 gr |
| Average weight per contact                           | 0,44 gr            | 1,07 gr | 0,33 gr            | 0,58 gr  | 0,28 gr            | 0,46 gr  |
| Weight saved per contact with <i>microComp</i> ® (%) | -58%               |         | -43%               |          | -39%               |          |

Note: No comparison with MIL-DTL 83513 standard because no max weight are given in this standard.

### Mating force comparison: → *microComp*® is easier to mate and unmate

even with more than 100 contacts.

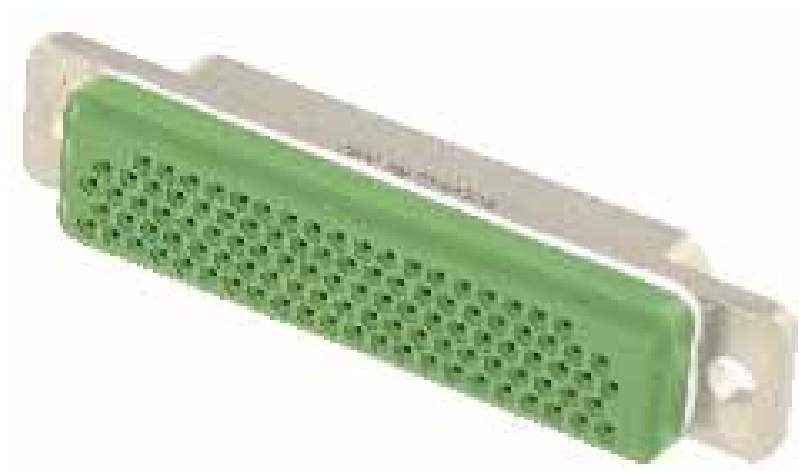
Comparison between the max mating and unmating force given in *microComp*® standard (ESCC 3401/081, 082, 083) and in micro-D standard (MIL-DTL 83513).

|                               | <i>microComp</i> ® | micro-D | <i>microComp</i> ® | micro-D | <i>microComp</i> ® | micro-D | <i>microComp</i> ® | micro-D |
|-------------------------------|--------------------|---------|--------------------|---------|--------------------|---------|--------------------|---------|
| Number of contacts            | 7                  | 9       | 25                 | 25      | 51                 | 51      | 104                | 100     |
| Max mating/unmating force (N) | 12N                | 25N     | 43N                | 87N     | 41N                | 144N    | 179N               | 283N    |
| Difference in N               | 14N                |         | 28N                |         | 58N                |         | 104N               |         |
| Saving in %                   | -53%               |         | -40%               |         | -40%               |         | -37%               |         |





## Technical characteristics



### Electrical

- Contact size: #26
- Contact pitch: 2 mm
- Current rating: 2.5 Amps
- Dielectric Withstanding Voltage  
sea level: 600 VRMS  
70.000 feet: 200 VRMS
- Insulation resistance: 5,000 MΩ
- Low level contact resistance: 6 mΩ
- Rated current contact resistance: <5 mΩ
- Admissible wire gauge: AWG 24 to 28
- Shielding effectiveness: > 60dB attenuation  
from 1 to 500 MHz
- Shell to shell continuity:  
Composite version: < 2mΩ  
Aluminum version: < 2mΩ

### Mechanical

- Endurance / Durability:  
500 mating/unmating operations
- Contact retention in insert: 15 N
- Vibration:  
Random: 44g  
Sine: 20g
- Shock: 50g

### Climatic

- Operating temperature range:  
-55°C to +175°C
- Storage temperature range  
-65°C to +125°C
- Soldering temperature: +260°C
- Salt spray (corrosion):  
Composite shell: 2000 hrs  
Aluminum shell: 48 hrs
- Flammability: UL 94V-0  
(self-extinguishing materials)

### Material and finishes:

- Shell: composite (glass fiber reinforced)  
material for maximum mechanical resistance)  
or Aluminum
- Shell plating: 10μ Ni over Cu
- Contact: copper alloy
- Contact plating: 1.27 μm (50 μin) Au  
according to Type 2, Grade C of MIL-DTL-45204
- Insulator: thermoplastic
- Mounting accessories (Jackscrews, jackposts,  
clip): stainless steel, passivated per QQ-P-35
- Grommet and seal: silicone rubber
- Drilled bar: thermoplastic

### Environmental

- RoHS: compliant



## Technical features

### Detailed performances

| Mechanical                              |  |   |  |
|---|--|---|--|
| Description                             | Requirement  | Test method   |  |
| Endurance / Durability                  | 500 mating/unmating operations<br>Connectors shall meet contact resistance, insulation resistance, DWV, mating and unmating force  | MIL-DTL 83513<br>8 cycles/minute maximum  |  |
| Insert retention in shell               | 34,4 N/cm <sup>2</sup> (50 psi)  | MIL-DTL 83513   |  |
| Tensile test                            | F>60N for #24 cable, F>45N for #26 cable and F>30N for #28 cable   | SAE AS-39029  |  |
| Vibration                               | No discontinuity > 1μs, no cracking, breaking or loosening of parts, plug shall not become disengaged from receptacle. Connectors shall meet electrical requirements after vibration test.       | Random:<br>44g  | IEC 60068-2-35, test Fda<br>(8h x 3 axis, f1 = 20Hz, f2 = 2000Hz)          |
|   |  | Sine:<br>20g  | IEC 60512-4 test 6d<br>(30min x 3 axis, 10Hz-2000Hz)                       |
| Shock and Bump                          | No discontinuity > 1μs, no cracking, breaking or loosening of parts, plug shall not become disengaged from receptacle. Connectors shall meet electrical requirements after shock and bump tests. | Shock:<br>50g for 11ms  | IEC 60512-4 6c<br>(3 shocks x 3 axis x 2 directions = 18 shocks)           |
|   |  | Bump:<br>390 m/s <sup>2</sup>   | IEC 60512-4 6b<br>(4,000 ± 10 bumps x 3 axis x 2 directions = 24,000 bump) |
| Contact insertion/<br>removal endurance | Contact insertion and withdrawal forces < 13.5 N<br>Contact retention in insert > 15 N   | 9 cycles insertion/removal  |  |
| Probe damage                            | Separation force mini > 0.14 N   | IEC 60512-8 test 16A<br>bending moment = 0.9 Ncm  |  |
| Contact retention in insert             | >15 N  | An initial force of 10N shall be applied to the engagement end of the contact. Then a force at a rate not exceeding 5N per sec shall be applied: displacement shall then be measured from the insert face with the contact under load and it shall not exceed 0,3 mm (.012 in) at the required force. |  |
| Max engagement force                    | 1,66 N   | The maximum diameter test pin or minimum diameter test sleeve shall be engaged to 70% of the depth of the female mating cavity or length of the engagement male contact and separate 3 times. The engagement and separation forces shall be measured on the third engagement and separation.          |  |
| Min separation force                    | 0,14 N   |   |  |



## Technical features

### Detailed performances

| Electrical   |  |   |
|--|--|---|
| Description  | Requirement  | Test method   |
| Dielectric Withstanding Voltage<br>(2mA leakage current max) sea level   | 600 VRMS   | MIL-DTL 83513<br>EIA-364-20   |
| Dielectric Withstanding Voltage<br>(2mA leakage current max) 70,000 feet | 200 VRMS   | MIL-DTL 83513<br>IEC 60512 test 4a methB  |
| Insulation resistance  | 5,000 MΩ   | MIL-DTL 83513<br>EIA-364-21<br>IEC 60512 test 3a methB<br>MIL-STD 202 test meth 302   |
| Low level contact resistance   | 6 mΩ   | MIL-DTL 83513<br>EIA 364-06<br>MIL-STD 202 Meth 307   |
| Rated current contact resistance   | 5 mΩ   |   |
| Overload test  | Temperature < 100°C                                | A current of 3 Amp for AWG 26 and AWG 28 are passed through all contacts of mated connectors for 30s. This was followed by a period of 90 s with no current flowing. This constitutes 1 cycle. The cycle has been repeated 5 times (10 minutes in total). |
| Shielding effectiveness  | >60dB attenuation from 1 to 500 MHz                | IEC-60512-23-3  |
| Shell to shell continuity  | Composite version < 2mΩ<br>Aluminum versions < 2mΩ | EIA 364-83<br>EN2591-205  |

| Climatic   |   |   |
|--|---|---|
| Description  | Requirement   | Test method   |
| Dry heat   | At 125 °C : insulation resistance > 5,000MΩ at 500 VDC  | IEC 60068-2-2 test Ba<br>2 hours at 175°C with sudden change of temperature.  |
| Climatic sequence:<br>Dry heat / Damp heat 1 /<br>Cold test /<br>Low air pressure /<br>Damp heat 2 | No breakdown or flashover during low air pressure test, mated and unmated at 150VAC<br><br>Insulation resistance > 100 MΩ at 500VDC just after Damp heat 2 test | Dry heat: IEC 60068-2-2 test Ba (2 hours at 175°C with sudden change of temperature)<br>Damp heat: IEC 60068-2-30 test Db severity b<br>Cold test: IEC 60068-2-1 test Aa (2 hours at -65°C with sudden change of temperature)<br>Low Air Pressure: IEC 60068-13 test M (33,000m = 108,000 ft) |
| Storage temperature range  | -65°C to +125°C   | IEC 60512-6 test 11i for 1.000 h at +125°C  |
| Soldering temperature  | +260°C  | EIA-364-56 Procedure 3 Test Condition B   |
| Salt spray (corrosion)   | No corrosion on the interfaces or mating surfaces after 2000 hours for composite shell and 48 hours for Aluminum shell.   | IEC 60068-2-11 test Ka  |



## Technical features

### Detailed performances

| Others                |  |                      |
|-----------------------|--|----------------------|
| Description           | Requirement  | Test method          |
| Residual Magnetism    | < 200 gamma  | ESA ESCC 3401 / 9.5  |
| Permanence of marking | No deterioration after 3 immersions of 1mn in solvent with 10 brushings after each immersion | MIL-STD 202 meth 215 |

## Weight

Composite shells are up to 36% lighter than aluminum.

| Shell max weight* in g (oz) |                   |              |                  |              |
|-----------------------------|-------------------|--------------|------------------|--------------|
|                             | Composite version |              | Aluminum version |              |
|                             | Male              | Female       | Male             | Female       |
| A                           | 1.05 (0.037)      | 1 (0.035)    | 1.35 (0.048)     | 1.45 (0.051) |
| B                           | 1.35 (0.048)      | 1.25 (0.044) | 1.75 (0.062)     | 1.8 (0.063)  |
| C                           | 1.6 (0.056)       | 1.45 (0.051) | 2.15 (0.076)     | 2.2 (0.078)  |
| D                           | 1.8 (0.063)       | 1.65 (0.058) | 2.35 (0.083)     | 2.4 (0.085)  |
| E                           | 2.1 (0.074)       | 1.88 (0.066) | 2.7 (0.095)      | 2.69 (0.095) |
| F                           | 2.35 (0.083)      | 2.1 (0.074)  | 2.95 (0.104)     | 2.9 (0.103)  |
| G                           | 2.5 (0.088)       | 2.2 (0.078)  | 3.15 (0.111)     | 3.05 (0.108) |
| H                           | 3.44 (0.121)      | 2.95 (0.104) | 4.2 (0.148)      | 4.1 (0.145)  |
| J                           | 6.1 (0.215)       | 4.75 (0.168) | 7.3 (0.257)      | 6.45 (0.228) |

\* without contact

| Contact max weight in g (oz)                           |                |               |
|--|----------------|---------------|
| Contacts   | Male           | Female        |
| Crimp contacts   | 0.04 (0.0014)  | 0.06 (0.0021) |
| Straight PC tails (spills) contacts                    | 0.08 (0.0028)  |               |
| 90° PC tails (spills) contacts for shell size A to F*  | 0.09 (0.0032)  |               |
| 90° PC tails (spills) contacts for shell size G and H* | 0.097 (0.0034) |               |
| 90° PC tails (spills) contacts for shell size J*       | 0.11 (0.0039)  |               |

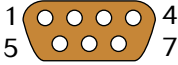
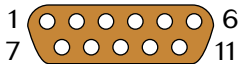
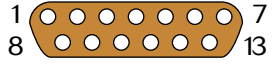
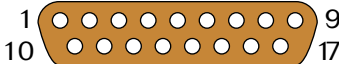
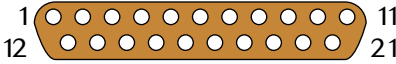
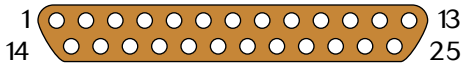
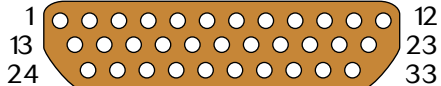
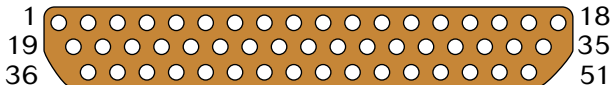
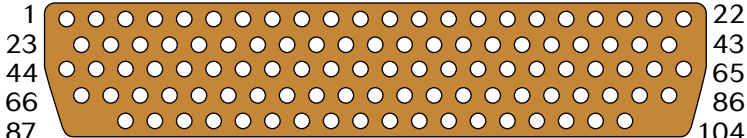
\* average weight

## Mating forces

| Shell sizes          |      |      |      |      |      |      |      |      |       |
|----------------------|------|------|------|------|------|------|------|------|-------|
|                      | A    | B    | C    | D    | E    | F    | G    | H    | J     |
| Mating force max (N) | 11.9 | 18.7 | 22.1 | 28.9 | 35.7 | 42.5 | 56.1 | 86.7 | 178.8 |



## Contact layouts

| Shell size | Number of contacts | Front view of male insert  |
|------------|--------------------|--|
| A          | 7                  |   |
| B*         | 11                 |   |
| C*         | 13                 |    |
| D*         | 17                 |   |
| E*         | 21                 |  |
| F          | 25                 |  |
| G*         | 33                 |  |
| H          | 51                 |  |
| J          | 104                |  |


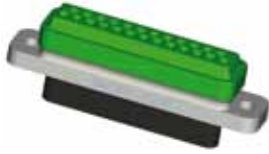

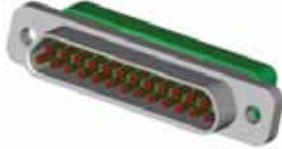
Contact size: #26


Contact pitch: 2.0 mm

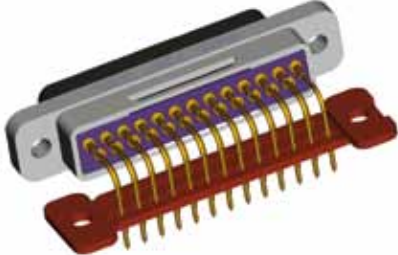
\* Consult us for availability.



## Contact types

| Crimp | Unsealed  | Sealed  |
|-------|---|---|
|       | Male (-P011 and -P011B)   | Male with grommet (-E-P011 and -E-P011B)  |
|       |  |  |
|       | Female (-S011 and -S011B)   | Female with grommet and interfacial seal (-E-S011 and -E-S011B)                     |
|       |  |  |

| Straight PCB | Straight PCB   |              |
|--------------|--|--------------|
|              |  | Male (-POL3) |
|              |  |              |
|              | Rear view  |              |

| 90° bent PCB | Male without fixing accessories (-P1A0N) | Male with standard jackposts (-P1A7N)   |
|--------------|--|---|
|              |  |  |
|              | Rear view                                | Rear view   |



## Ordering information

### MIL/AERO part-numbering system

| MIL/Aero series - PCB versions |   | BMC | N |  | F25 | P | 1A7N |
|--------------------------------|---|-----|---|--|-----|---|------|
| Shell material:                | <b>None:</b> composite<br><b>A:</b> aluminum  |     |   |  |     |   |      |
| Version:                       | <b>N:</b> MIL grade (electroless Nickel finish)<br><b>None:</b> without plating<br><i>For Space Grade plating (gold) - consult our Space Grade microComp® catalog</i>   |     |   |  |     |   |      |
| Environment:                   | <b>E:</b> sealed version<br><i>With P1AxN termination: non standard, consult us</i><br><i>With POL3 termination: non standard, consult us</i><br><b>T:</b> sealed version, interfacial seal only<br><i>The interfacial seal is always on the female connector (-S- contact type)</i><br><b>None:</b> no sealing |     |   |  |     |   |      |
| Shell size & contact layout:   | <b>A7:</b> 7 contacts<br><b>B11:</b> 11 contacts*<br><b>C13:</b> 13 contacts*<br><b>D17:</b> 17 contacts*<br><b>E21:</b> 21 contacts*<br><b>F25:</b> 25 contacts<br><b>G33:</b> 33 contacts*<br><b>H51:</b> 51 contacts<br><b>J104:</b> 104 contacts  |     |   |  |     |   |      |
| Contact type:                  | <b>P:</b> Pin contacts for male connector<br><b>S:</b> socket contacts for female connector   |     |   |  |     |   |      |
| Termination code:              | <b>OL3:</b> Straight PCB contacts<br><b>1A0N:</b> 90° bent PCB contacts, without bracket, with removable drilled bar, 2,54 mm pitch between rows<br><b>1A7N:</b> 90° bent PCB contacts, 2,54 mm pitch between rows, with bracket, removable drilled bar and standard jackpost                                   |     |   |  |     |   |      |

| MIL/Aero series - Crimp versions |   | BMC | N | E | F25 | S | 011B |
|----------------------------------|---|-----|---|---|-----|---|------|
| Shell material:                  | <b>None:</b> composite<br><b>A:</b> aluminum  |     |   |   |     |   |      |
| Version:                         | <b>N:</b> MIL grade (electroless Nickel finish)<br><b>None:</b> without plating<br><i>For Space Grade plating (gold) - consult our Space Grade microComp® catalogue</i>   |     |   |   |     |   |      |
| Environment:                     | <b>E:</b> sealed version<br><i>With P011, P011B or PL termination: grommet</i><br><i>With S011, S011B or SL termination: grommet + interfacial seal</i><br><b>T:</b> sealed version, interfacial seal only<br><i>The interfacial seal is always on the female connector (-S- contact type)</i><br><b>None:</b> no sealing |     |   |   |     |   |      |
| Shell size & contact layout:     | <b>A7:</b> 7 contacts<br><b>B11:</b> 11 contacts*<br><b>C13:</b> 13 contacts*<br><b>D17:</b> 17 contacts*<br><b>E21:</b> 21 contacts*<br><b>F25:</b> 25 contacts<br><b>G33:</b> 33 contacts*<br><b>H51:</b> 51 contacts<br><b>J104:</b> 104 contacts  |     |   |   |     |   |      |
| Contact type:                    | <b>P:</b> Pin contacts for male connector<br><b>S:</b> Socket contacts for female connector   |     |   |   |     |   |      |
| Termination code:                | <b>011:</b> Crimp contacts for wire AWG 26 & 28<br><b>011B:</b> Crimp contacts for wire AWG 24 & 26<br><b>L:</b> delivered without contact  |     |   |   |     |   |      |

Insertion/extraction tool 8MCIET is always included with -S011, -S011B, -P011B and -P011 versions, but not with -L versions.  
Termination codes -011, -011B and -L are not marked on the connector (only for order)

**\*Consult us for availability**  
Jackscrews kits are never included



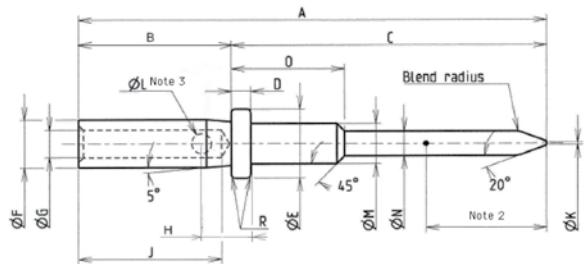


## Crimp removable contacts

MIL/Aero standards do not define #26 crimp contacts (cf AS39029). So to offer our customers a high density connector with removable contacts we have used contacts defined in ESCC space standard. ESCC 3401/083 defines the design, dimensions and performances of contacts #26 used in *microComp*®. These contacts are in copper and are gold plated. They have been designed for high electrical and mechanical performances – they withstand high shocks and vibrations. These contacts are crimped to wire using standard MIL spec crimp tool MIL-DTL-22520 and a locator for #26 contacts.

### Male contact (pin):

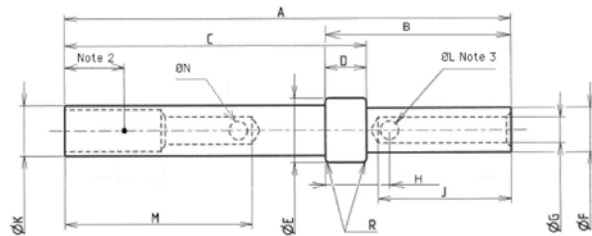
| #26 MIL grade male contacts part numbers: |            |           |
|---|------------|-----------|
| Wire size                                 | AWG 24-26  | AWG 26-28 |
| Part number                               | 8MC 00 103 | 8MC 00101 |



| Dimensions in mm (inch) |             |             |             |             |             |             |             |             |             |             |             |             |             |             |             |             |             |
|-------------------------|-------------|-------------|-------------|-------------|-------------|-------------|-------------|-------------|-------------|-------------|-------------|-------------|-------------|-------------|-------------|-------------|-------------|
|                         | A           | B           | C           | D           | ØE          | ØF          |             | ØG          |             | H           | J           | ØK          | ØL          | ØM          | ØN          | O           | R           |
|                         |             |             |             |             |             | AWG 24/26   | AWG 26/28   | AWG 24/26   | AWG 26/28   |             |             |             |             |             |             |             |             |
| Min. mm (inch)          | -           | 3,10 (.122) | 6 (.236)    | 0,35 (.014) | 1,37 (.054) | 1,00 (.039) | 0,92 (.036) | 0,73 (.029) | 0,56 (.022) | 1 (.039)    | 2,90 (.114) | -           | 0,40 (.016) | 0,80 (.031) | 0,50 (.019) | 1,85 (.073) | 0,04 (.002) |
| Max. mm (inch)          | 9,80 (.386) | 3,25 (.128) | 6,10 (.240) | 0,41 (.016) | 1,41 (.055) | 1,08 (.043) | 0,98 (.039) | 0,76 (.030) | 0,60 (.024) | 1,10 (.043) | 3,10 (.122) | 0,15 (.006) | 0,50 (.020) | 0,82 (.032) | 0,52 (.021) | 1,91 (.075) | 0,08 (.003) |

### Female contact (socket):

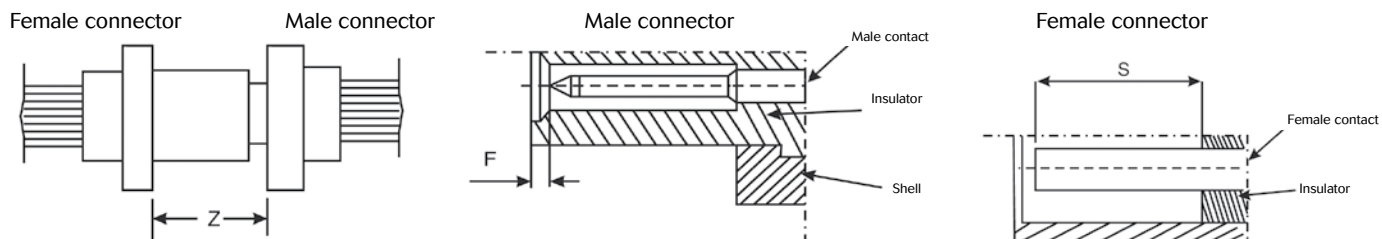
| #26 MIL grade male contacts part numbers: |           |           |
|---|-----------|-----------|
| Wire size                                 | AWG 24-26 | AWG 26-28 |
| Part number                               | 8MC 00104 | 8MC 00102 |



| Dimensions in mm (inch) |             |             |             |             |             |             |             |             |             |             |             |             |             |             |             |             |
|-------------------------|-------------|-------------|-------------|-------------|-------------|-------------|-------------|-------------|-------------|-------------|-------------|-------------|-------------|-------------|-------------|-------------|
|                         | A           | B           | C           | D           | ØE          | ØF          |             | ØG          |             | H           | J           | ØK          | ØL          | M           | ØN          | R           |
|                         |             |             |             |             |             | AWG 24/26   | AWG 26/28   | AWG 24/26   | AWG 26/28   |             |             |             |             |             |             |             |
| Min. mm (inch)          | -           | 4,05 (.159) | 6,55 (.258) | 0,85 (.033) | 1,37 (.054) | 1,00 (.039) | 0,92 (.036) | 0,73 (.029) | 0,56 (.022) | 1,40 (.055) | 2,90 (.114) | 1,05 (.041) | 0,40 (.016) | 4,10 (.161) | 0,40 (.016) | 0,04 (.002) |
| Max. mm (inch)          | 9,80 (.386) | 4,15 (.163) | 6,60 (.260) | 0,91 (.036) | 1,41 (.055) | 1,08 (.043) | 0,98 (.039) | 0,76 (.030) | 0,60 (.024) | 1,51 (.059) | 3,10 (.122) | 1,13 (.044) | 0,50 (.020) | 4,20 (.165) | 0,50 (.020) | 0,08 (.003) |



## Mating dimensions and contact position



| F            |             | S           |             | Z           |
|--------------|-------------|-------------|-------------|-------------|
| Min          | Max         | Min         | Max         | Max         |
| 0,22 (.0087) | 0,72 (.028) | 4,15 (.163) | 4,65 (.183) | 5,21 (.205) |

Dimensions in mm (inch)

## Wiring instructions

Insertion and extraction tool: 8MCIET

This tool for *microComp*® crimp contacts #26 is always included with crimp versions of *microComp*® connectors (except for delivery without contacts).



MIL-DTL 22520 crimp tool and specific locator:

Use standard M22520/2-01 crimp tool with the following locators:

|             | Male       | Female     |
|-------------|------------|------------|
| Locator P/N | 8985-3093A | 8985-3094A |
| AWG 24 - 26 | Mark n°4   | Mark n°4   |
| AWG 28      | Mark n°2   | Mark n°2   |



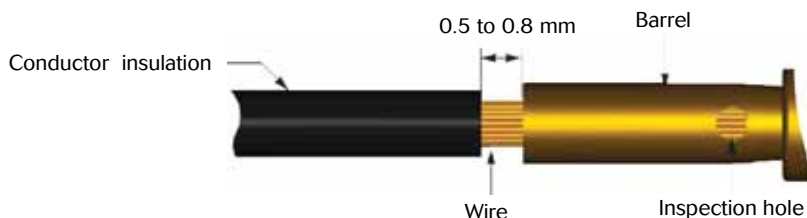
## Cable preparation and wire stripping

L = Length of wire stripping

| Contact size      | L min.         | L max.         |
|-------------------|----------------|----------------|
| # 26 mm<br>(inch) | 2,91<br>(.114) | 3,41<br>(.134) |

## Insertion of wire in contact barrel

When inserting the stripped wire into the contact barrel check that no strands are left outside and that the wire is visible through the wire inspection hole in the barrel





## Wiring instructions

Contacts are inserted and extracted from the rear of the connector

### Insertion of the contacts

1 - Engage the crimp cable / contact assembly into the longitudinal slot of the plastic tool 8MCIET (blue side). Slide the tool down the cable until the tip of the tool abuts the contact retention shoulder.

2 - Introduce the contact into the required contact cavity in the insulator, pushing tool axially, until the contact snaps into position in clip.

3 - Withdraw the tool (from rear). Check that contact is firmly locked by pulling wire gently. When connector is fully loaded, check the position of contact tips. They should all be in the same plane.

Nota : For cable that is stiff enough, manual insertion without tool is preferable.

### Extraction of the contacts

1 - Engage the appropriate cable into the longitudinal slot of the tool with the white tip towards connector.

2 - Slide the tool down towards the contact. Insert the tool in the insulator until it abuts the contact shoulder.

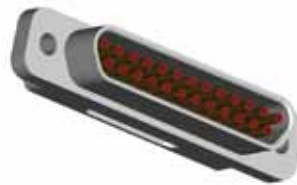
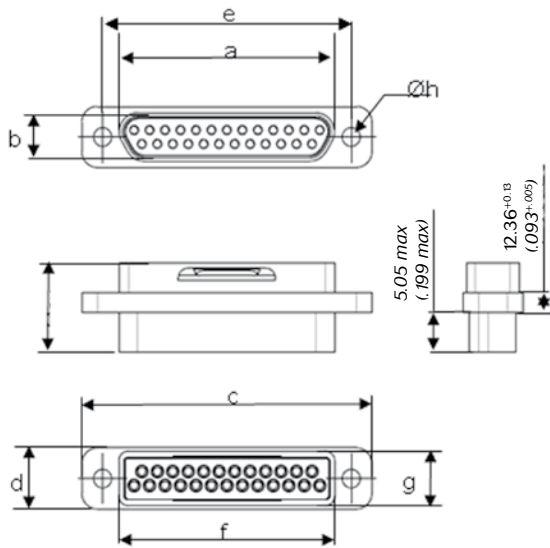
3 - Holding the tool-contact and cable assembly together, remove them simultaneously.



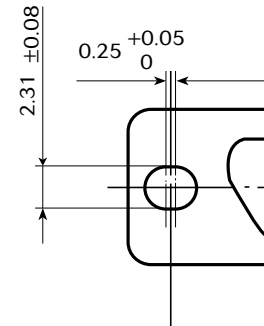


## Dimensions

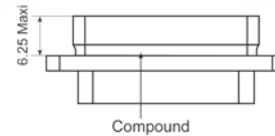
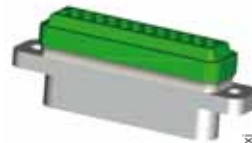
### Female shell



### Optional Design Oblong Holes Shell Size H



### Sealed version (grommet and interfacial seal)



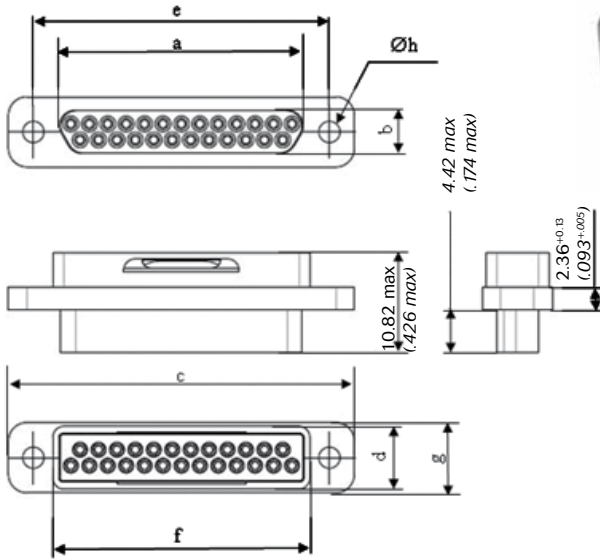
| Shell Size | a                | b               | c                |                  | d               |                 | e                |                  | f                |                  | g               | h              |
|------------|------------------|-----------------|------------------|------------------|-----------------|-----------------|------------------|------------------|------------------|------------------|-----------------|----------------|
|            | Max              | Max             | min              | Max              | min             | Max             | min              | Max              | min              | Max              | Max             | min            |
| A          | 10,16<br>(.400)  | 6,38<br>(.251)  | 19,43<br>(.765)  | 19,94<br>(.785)  | 7,31<br>(.288)  | 7,82<br>(.307)  | 14,22<br>(.559)  | 14,48<br>(.570)  | 9,45<br>(.372)   | 10,16<br>(.400)  | 6,86<br>(.270)  | 2,26<br>(.089) |
| B          | 13,97<br>(.550)  | 6,38<br>(.251)  | 23,25<br>(.915)  | 23,75<br>(.935)  | 7,31<br>(.288)  | 7,82<br>(.307)  | 18,03<br>(.709)  | 18,29<br>(.720)  | 13,26<br>(.522)  | 13,97<br>(.550)  | 6,86<br>(.270)  | 2,26<br>(.089) |
| C          | 17,78<br>(.634)  | 6,38<br>(.251)  | 27,05<br>(1.065) | 27,56<br>(1.085) | 7,31<br>(.288)  | 7,82<br>(.307)  | 21,84<br>(.859)  | 22,10<br>(.870)  | 17,07<br>(.672)  | 17,78<br>(.700)  | 6,86<br>(.270)  | 2,26<br>(.089) |
| D          | 20,32<br>(.700)  | 6,38<br>(.251)  | 29,59<br>(1.165) | 30,10<br>(1.185) | 7,31<br>(.288)  | 7,82<br>(.307)  | 24,38<br>(.959)  | 24,64<br>(.970)  | 19,61<br>(.772)  | 20,32<br>(.800)  | 6,86<br>(.270)  | 2,26<br>(.089) |
| E          | 24,13<br>(.950)  | 6,38<br>(.251)  | 33,41<br>(1.315) | 33,91<br>(1.335) | 7,31<br>(.288)  | 7,82<br>(.307)  | 28,19<br>(1.149) | 28,45<br>(1.120) | 23,42<br>(.992)  | 24,13<br>(.950)  | 6,86<br>(.270)  | 2,26<br>(.089) |
| F          | 27,94<br>(1.100) | 6,38<br>(.251)  | 37,21<br>(1.465) | 37,72<br>(1.485) | 7,31<br>(.288)  | 7,82<br>(.307)  | 32,00<br>(1.259) | 32,26<br>(1.270) | 27,23<br>(1.072) | 27,94<br>(1.100) | 6,86<br>(.270)  | 2,26<br>(.089) |
| G          | 26,67<br>(1.050) | 7,47<br>(.294)  | 35,95<br>(1.415) | 36,45<br>(1.435) | 8,42<br>(.331)  | 8,92<br>(.351)  | 30,73<br>(1.229) | 30,99<br>(1.220) | 25,96<br>(1.022) | 26,67<br>(1.050) | 6,86<br>(.270)  | 2,26<br>(.289) |
| H          | 38,65<br>(1.521) | 7,47<br>(.294)  | 48,05<br>(1.891) | 48,55<br>(1.911) | 8,42<br>(.331)  | 8,92<br>(.351)  | 43,23<br>(1.702) | 43,49<br>(1.712) | 38,40<br>(1.512) | 38,65<br>(1.522) | 7,87<br>(.310)  | 2,26<br>(.089) |
| J          | 46,80<br>(1.842) | 10,94<br>(.431) | 62,25<br>(2.451) | 62,75<br>(2.470) | 12,00<br>(.472) | 12,50<br>(.492) | 54,72<br>(2.154) | 54,98<br>(1.377) | 47,40<br>(1.866) | 47,65<br>(1.876) | 11,25<br>(.443) | 3,70<br>(.146) |

All dimensions in mm (inches)

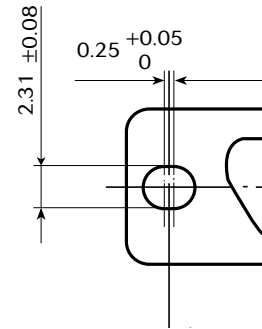


## Dimensions

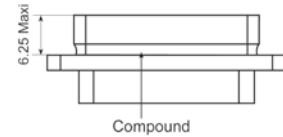
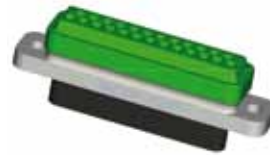
### Male shell



### Optional Design Oblong Holes Shell Size H



### Sealed version (with grommet)

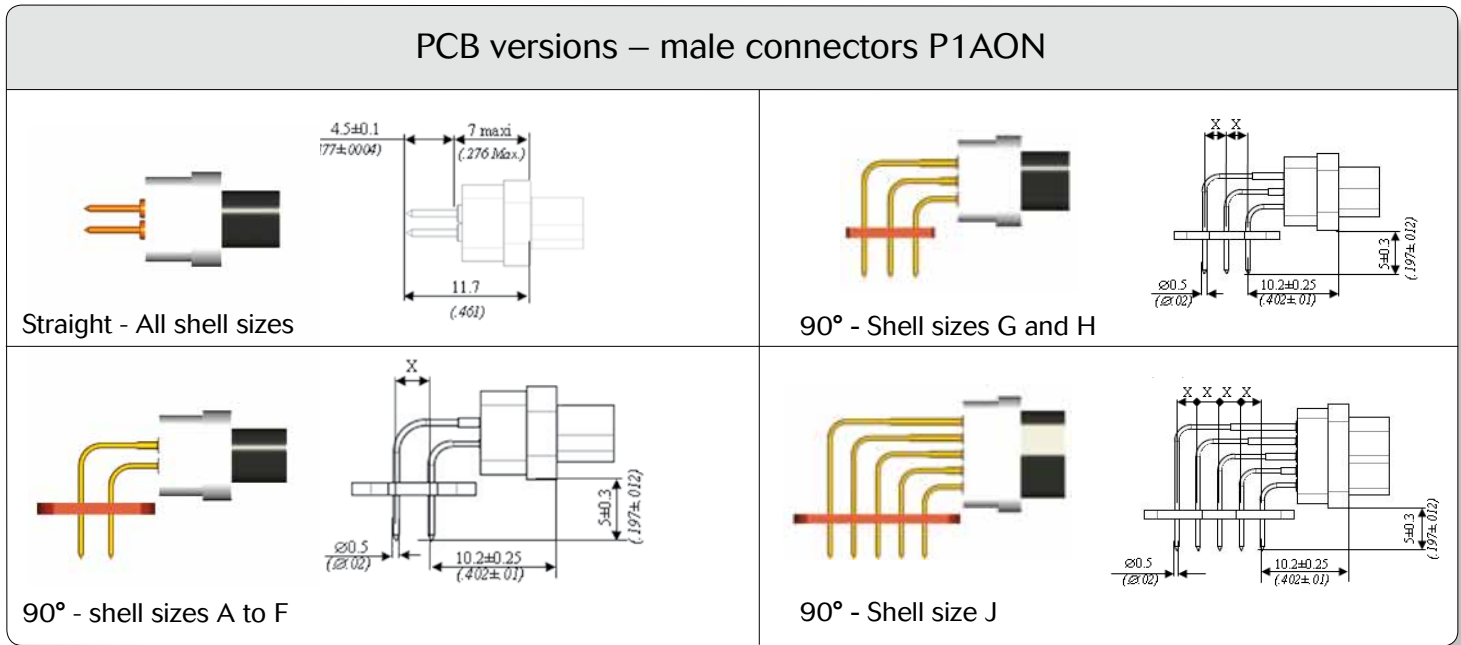


| Shell size | a                | b              | c                |                  | d               |                 | e                |                  | f                |                  | g               | h              |
|------------|------------------|----------------|------------------|------------------|-----------------|-----------------|------------------|------------------|------------------|------------------|-----------------|----------------|
|            | Max              | Max            | min              | Max              | min             | Max             | min              | Max              | min              | Max              | Max             | min            |
| A          | 8,48<br>(.334)   | 4,69<br>(.185) | 19,43<br>(.765)  | 19,94<br>(.785)  | 7,31<br>(.288)  | 7,82<br>(.307)  | 14,22<br>(.559)  | 14,48<br>(.570)  | 9,45<br>(.372)   | 10,16<br>(.400)  | 6,86<br>(.270)  | 2,26<br>(.089) |
| B          | 12,29<br>(.484)  | 4,69<br>(.185) | 23,25<br>(.915)  | 23,75<br>(.935)  | 7,31<br>(.288)  | 7,82<br>(.307)  | 18,03<br>(.709)  | 18,29<br>(.720)  | 13,26<br>(.522)  | 13,97<br>(.550)  | 6,86<br>(.270)  | 2,26<br>(.089) |
| C          | 16,10<br>(.634)  | 4,69<br>(.185) | 27,05<br>(1.065) | 27,56<br>(1.085) | 7,31<br>(.288)  | 7,82<br>(.307)  | 21,84<br>(.859)  | 22,10<br>(.870)  | 17,07<br>(.672)  | 17,78<br>(.700)  | 6,86<br>(.270)  | 2,26<br>(.089) |
| D          | 18,64<br>(.734)  | 4,69<br>(.185) | 29,59<br>(1.165) | 30,10<br>(1.185) | 7,31<br>(.288)  | 7,82<br>(.307)  | 24,38<br>(.959)  | 24,64<br>(.970)  | 19,61<br>(.772)  | 20,32<br>(.800)  | 6,86<br>(.270)  | 2,26<br>(.089) |
| E          | 22,45<br>(.884)  | 4,69<br>(.185) | 33,41<br>(1.315) | 33,91<br>(1.335) | 7,31<br>(.288)  | 7,82<br>(.307)  | 29,19<br>(1.149) | 28,45<br>(1.120) | 23,42<br>(.992)  | 24,13<br>(.950)  | 6,86<br>(.270)  | 2,26<br>(.089) |
| F          | 26,26<br>(1.034) | 4,69<br>(.185) | 37,21<br>(1.465) | 37,72<br>(1.485) | 7,31<br>(.288)  | 7,82<br>(.307)  | 32,00<br>(1.259) | 32,26<br>(1.270) | 27,23<br>(1.072) | 27,94<br>(1.100) | 6,86<br>(.270)  | 2,26<br>(.089) |
| G          | 24,99<br>(.934)  | 4,69<br>(.185) | 35,95<br>(1.415) | 36,45<br>(1.435) | 7,31<br>(.288)  | 7,82<br>(.307)  | 30,73<br>(1.209) | 30,99<br>(1.220) | 25,96<br>(1.022) | 26,67<br>(1.050) | 6,86<br>(.270)  | 2,26<br>(.089) |
| H          | 36,90<br>(1.463) | 5,78<br>(.227) | 48,05<br>(1.891) | 48,55<br>(1.911) | 8,42<br>(.331)  | 8,92<br>(.351)  | 43,23<br>(1.702) | 43,49<br>(1.712) | 38,40<br>(1.512) | 38,65<br>(1.522) | 7,87<br>(.310)  | 2,26<br>(.089) |
| J          | 45,10<br>(1.775) | 9,25<br>(.364) | 62,25<br>(2.451) | 62,75<br>(2.470) | 12,00<br>(.472) | 12,50<br>(.492) | 54,72<br>(2.154) | 54,98<br>(1.377) | 47,40<br>(1.866) | 47,65<br>(1.876) | 11,25<br>(.443) | 3,70<br>(.146) |

All dimensions in mm (inches)

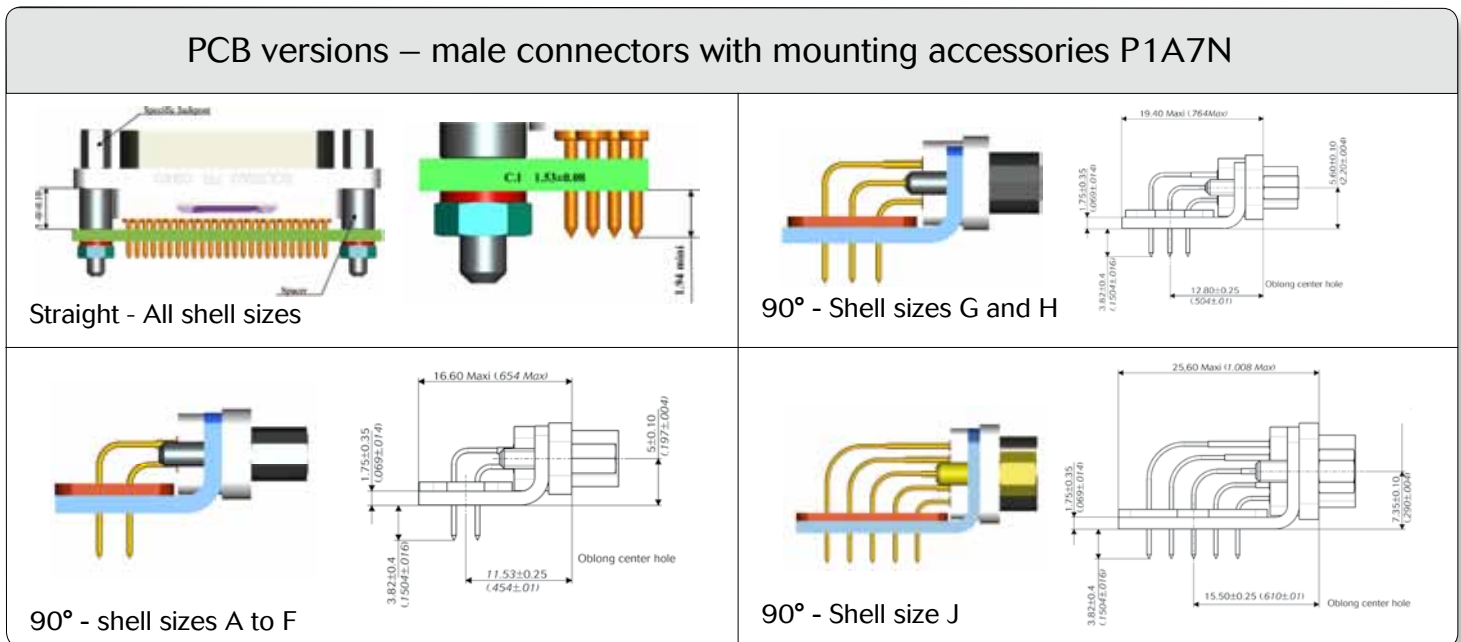


## Dimensions



X=2.54 (1)

All dimensions in mm (inches)



X=2.54 (1)

All dimensions in mm (inches)



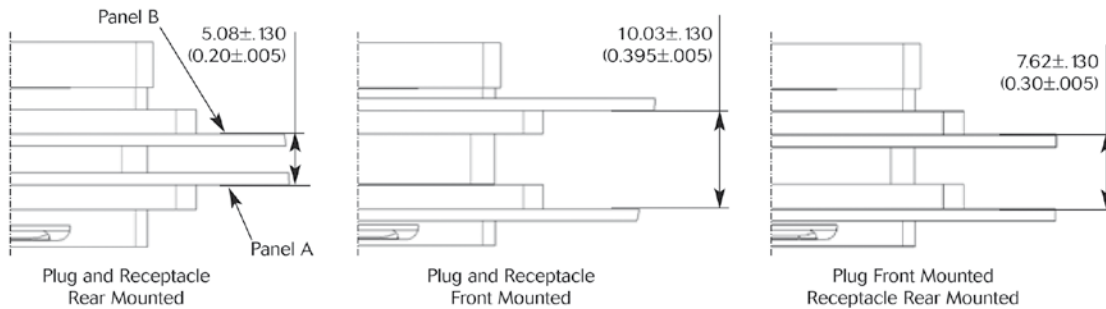


## Mounting operations and hardware

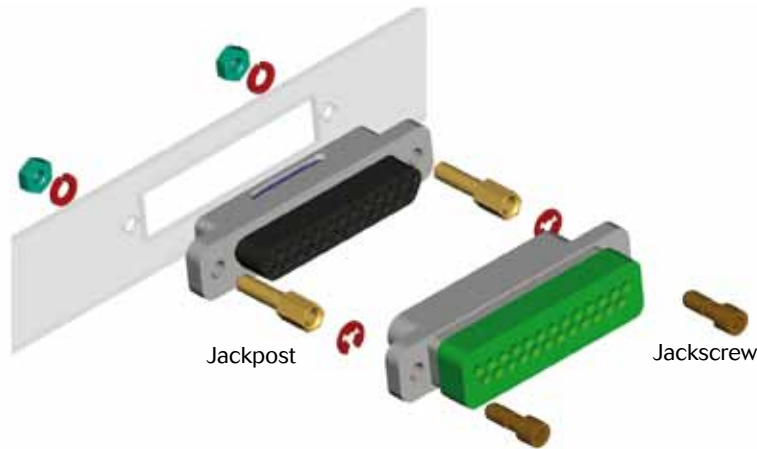
For hardware dimensions consult the mounting hardware section

### Double panel mounting dimensions

Dimensions in mm (*inches*)



### Option 1: Front mounting on panel



Mounting hardware for front mounting on panel:

| Individual packaging (one package for one mated pair) |          |          |   |
|---|----------|----------|---|
| Type  |          | P/N      | Description   |
| Standard Jackpost (not for rear panel mounting)       | Size A-H | 8MCJP507 | Jackpost Kit for <i>microComp</i> ® shell size A to H (2 jackposts + 2 washers + 2 nuts). Front panel or cable-to-cable mounting. |
|   | Size J   | 8MCJP517 | Jackpost Kit for <i>microComp</i> ® shell size J (2 jackposts + 2 washers + 2 nuts). Front panel or cable-to-cable mounting.      |

| Packaging per 50 kits (one package for one mated pair) |          |            |   |
|--|----------|------------|---|
| Type   |          | P/N        | Description   |
| Standard Jackpost (not for rear panel mounting)        | Size A-H | 8MCJP50750 | Jackpost Kit for <i>microComp</i> ® shell size A to H (100 jackposts + 100 washers + 100 nuts). Front panel or cable-to-cable mounting. |
|  | Size J   | 8MCJP51750 | Jackpost Kit for <i>microComp</i> ® shell size J (100 jackposts + 100 washers + 100 nuts). Front panel or cable-to-cable mounting.      |





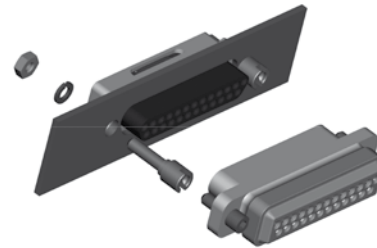
## Mounting operations and hardware

### Option 2: Rear mounting on panel

With additional mounting on PCB: combined Option 2 and Option 3.

Mounting hardware for rear mounting on panel

for panel thickness from 0.8 mm to 3.2 mm:



| Individual packaging (one package for one mated pair) |          |          |                     |  |
|---|----------|----------|---------------------|--|
| Type  |          | P/N      | Panel               | Description  |
| Jackpost for rear panel mounting                      | Size A-H | 8MCJP008 | 0,8 mm<br>(.031 in) | Jackpost Kit for <i>microComp</i> ® shell size A to H<br>(2 jackposts + 2 washers + 2 nuts). |
|   |          | 8MCJP012 | 1,2 mm<br>(.047 in) | Jackpost Kit for <i>microComp</i> ® shell size A to H<br>(2 jackposts + 2 washers + 2 nuts). |
|   |          | 8MCJP016 | 1,6 mm<br>(.063 in) | Jackpost Kit for <i>microComp</i> ® shell size A to H<br>(2 jackposts + 2 washers + 2 nuts). |
|   |          | 8MCJP024 | 2,4 mm<br>(.094 in) | Jackpost Kit for <i>microComp</i> ® shell size A to H<br>(2 jackposts + 2 washers + 2 nuts). |
|   |          | 8MCJP032 | 3,2 mm<br>(.126 in) | Jackpost Kit for <i>microComp</i> ® shell size A to H<br>(2 jackposts + 2 washers + 2 nuts). |
|   | Size J   | 8MCJP508 | 0,8 mm<br>(.031 in) | Jackpost Kit for <i>microComp</i> ® shell size J<br>(2 jackposts + 2 washers + 2 nuts).      |
|   |          | 8MCJP512 | 1,2 mm<br>(.047 in) | Jackpost Kit for <i>microComp</i> ® shell size J<br>(2 jackposts + 2 washers + 2 nuts).      |
|   |          | 8MCJP516 | 1,6 mm<br>(.063 in) | Jackpost Kit for <i>microComp</i> ® shell size J<br>(2 jackposts + 2 washers + 2 nuts).      |
|   |          | 8MCJP524 | 2,4 mm<br>(.094 in) | Jackpost Kit for <i>microComp</i> ® shell size J<br>(2 jackposts + 2 washers + 2 nuts).      |
|   |          | 8MCJP532 | 3,2 mm<br>(.126 in) | Jackpost Kit for <i>microComp</i> ® shell size J<br>(2 jackposts + 2 washers + 2 nuts).      |

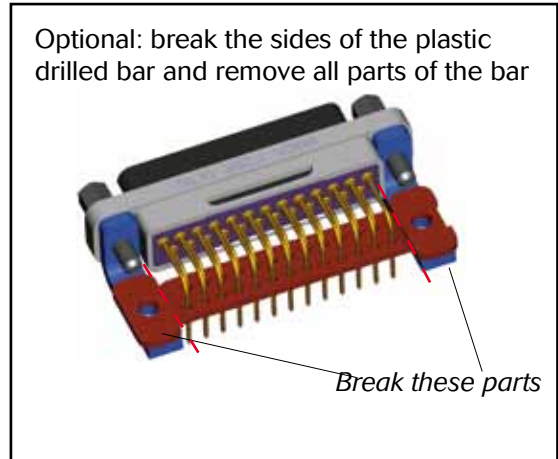
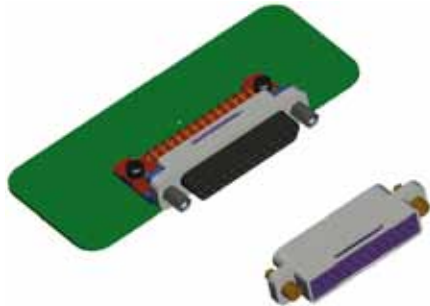
| Packaging per 50 kits (one package for 50 mated pairs) |          |            |                     |  |
|--|----------|------------|---------------------|--|
| Type   |          | P/N        | Panel               | Description  |
| Jackpost for rear panel mounting                       | Size A-H | 8MCJP00850 | 0,8 mm<br>(.031 in) | Jackpost Kit for <i>microComp</i> ® shell size A to H<br>(100 jackposts + 100 washers + 100 nuts). |
|  |          | 8MCJP01250 | 1,2 mm<br>(.047 in) | Jackpost Kit for <i>microComp</i> ® shell size A to H<br>(100 jackposts + 100 washers + 100 nuts). |
|  |          | 8MCJP01650 | 1,6 mm<br>(.063 in) | Jackpost Kit for <i>microComp</i> ® shell size A to H<br>(100 jackposts + 100 washers + 100 nuts). |
|  |          | 8MCJP02450 | 2,4 mm<br>(.094 in) | Jackpost Kit for <i>microComp</i> ® shell size A to H<br>(100 jackposts + 100 washers + 100 nuts). |
|  |          | 8MCJP03250 | 3,2 mm<br>(.126 in) | Jackpost Kit for <i>microComp</i> ® shell size A to H<br>(100 jackposts + 100 washers + 100 nuts). |
|  | Size J   | 8MCJP50850 | 0,8 mm<br>(.031 in) | Jackpost Kit for <i>microComp</i> ® shell size J<br>(100 jackposts + 100 washers + 100 nuts).      |
|  |          | 8MCJP51250 | 1,2 mm<br>(.047 in) | Jackpost Kit for <i>microComp</i> ® shell size J<br>(100 jackposts + 100 washers + 100 nuts).      |
|  |          | 8MCJP51650 | 1,6 mm<br>(.063 in) | Jackpost Kit for <i>microComp</i> ® shell size J<br>(100 jackposts + 100 washers + 100 nuts).      |
|  |          | 8MCJP52450 | 2,4 mm<br>(.094 in) | Jackpost Kit for <i>microComp</i> ® shell size J<br>(100 jackposts + 100 washers + 100 nuts).      |
|  |          | 8MCJP53250 | 3,2 mm<br>(.126 in) | Jackpost Kit for <i>microComp</i> ® shell size J<br>(100 jackposts + 100 washers + 100 nuts).      |



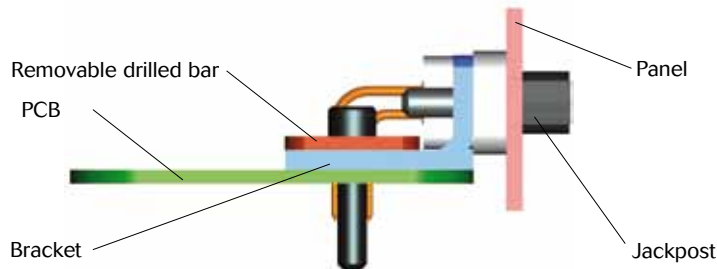
## Mounting operations and hardware

### Option 3: Mounting on PCB with 90° bent contacts

Solder the connector contacts to the PCB  
Screw the connector to the PCB



With additional rear mounting on panel: combined Option 2 and Option 3.



### Mounting hardware for mounting on PCB with 90° bent contacts

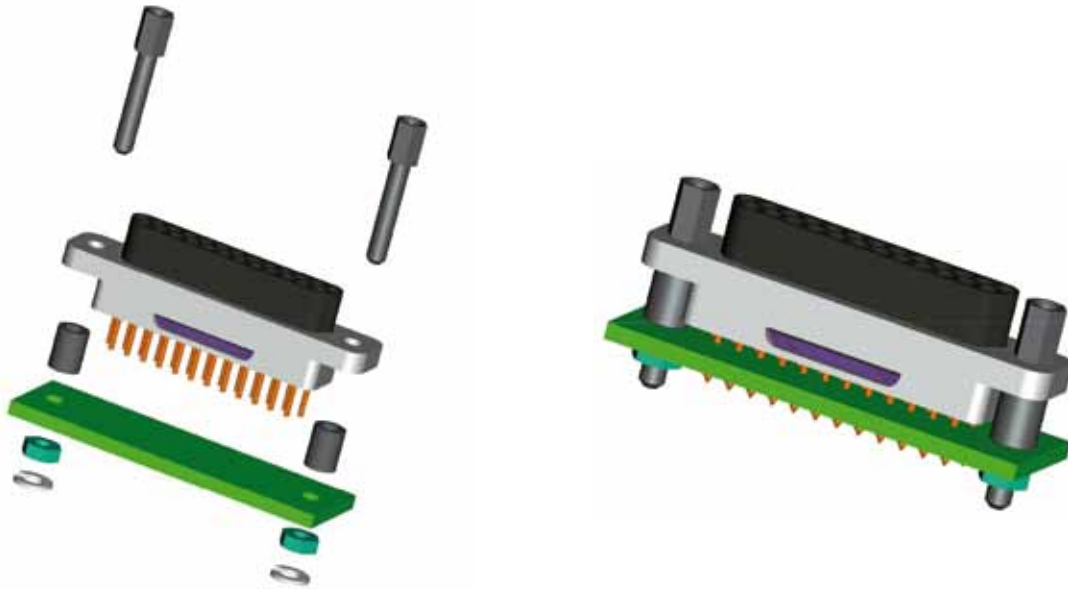
| Individual packaging (one package for one mated pair) |          |          |   |
|---|----------|----------|---|
| Type  |          | P/N      | Description   |
| Standard Jackpost (not for rear panel mounting)       | Size A-H | 8MCJP507 | Jackpost Kit for <i>microComp</i> ® shell size A to H (2 jackposts + 2 washers + 2 nuts). Front panel or cable-to-cable mounting. |
|   | Size J   | 8MCJP517 | Jackpost Kit for <i>microComp</i> ® shell size J (2 jackposts + 2 washers + 2 nuts). Front panel or cable-to-cable mounting.      |
| Brackets: to fix the receptacle on the PCB            | Size A-F | 8MCBKAF  | Bracket kit for shell size A to F (2 brackets). Not for sealed version.   |
|   | Size G-H | 8MCBKGH  | Bracket kit for shell size G and H (2 brackets). Not for sealed version.  |
|   | Size J   | 8MCBKJ   | Bracket kit for shell size J (2 brackets). Not for sealed version.  |

| Packaging per 50 kits (one package for 50 mated pairs) |          |            |   |
|--|----------|------------|---|
| Type   |          | P/N        | Description   |
| Standard Jackpost (not for rear panel mounting)        | Size A-H | 8MCJP50750 | Jackpost Kit for <i>microComp</i> ® shell size A to H (100 jackposts + 100 washers + 100 nuts). Front panel or cable-to-cable mounting. |
|  | Size J   | 8MCJP51750 | Jackpost Kit for <i>microComp</i> ® shell size J (100 jackposts + 100 washers + 100 nuts). Front panel or cable-to-cable mounting.      |
| Brackets: to fix the receptacle on the PCB             | Size A-F | 8MCBKAF50  | Bracket kit for shell size A to F (100 brackets). Not for sealed version.   |
|  | Size G-H | 8MCBKGH50  | Bracket kit for shell size G and H (100 brackets). Not for sealed version.  |
|  | Size J   | 8MCBKJ50   | Bracket kit for shell size J (100 brackets). Not for sealed version.  |



## Mounting operations and hardware

### Option 4: Mounting on PCB with straight PCB contacts



#### Mounting hardware for mounting on PCB with straight PCB contacts

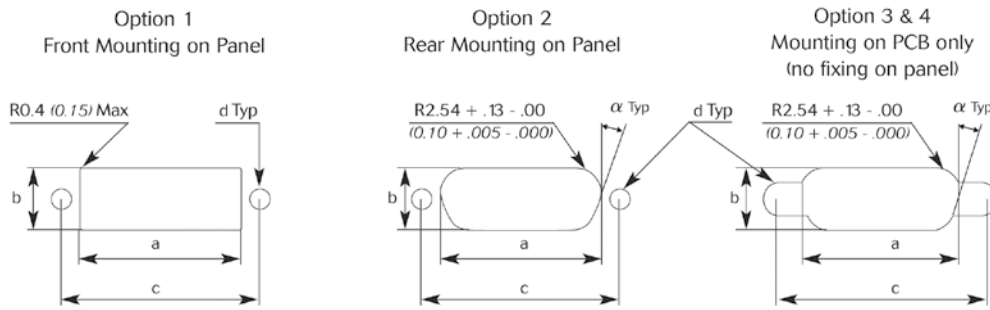
| Individual packaging (one package for one mated pair)    |          |           |   |
|--|----------|-----------|---|
| Type   |          | P/N       | Description   |
| Jackpost for PCB mounting<br>(straight spills/ PC tails) | Size A-H | 8MCJPS070 | Jackpost kit for straight spills / PC tails <i>microComp</i> ® shell size A to H (2 jackposts + 2 spacers + 2 washers + 2 nuts). For mounting on PCB. |
|  | Size J   | 8MCJPS170 | Jackpost kit for straight spills / PC tails <i>microComp</i> ® shell size J (2 jackposts + 2 spacers + 2 washers + 2 nuts). For mounting on PCB.      |

| Packaging per 50 kits (one package for 50 mated pairs)   |          |             |  |
|--|----------|-------------|--|
| Type   |          | P/N         | Description  |
| Jackpost for PCB mounting<br>(straight spills/ PC tails) | Size A-H | 8MCJPS07050 | Jackpost kit for straight spills / PC tails version shell size A to H (100 jackposts + 100 washers + 100 nuts). For mounting on PCB. |
|  | Size J   | 8MCJPS17050 | Jackpost kit for straight spills / PC tails shell size J (100 jackposts + 100 washers + 100 nuts). For mounting on PCB.              |



## Mounting operations and hardware

### Panel cut-out



Note : Shell size A to H:  $\alpha = 27^\circ/26^\circ$  - Shell size J:  $\alpha = 0^\circ$

| Shell size | Mounting option | Cut-out dimensions in mm (inch)  |                                  |                                   |                                  |
|------------|-----------------|----------------------------------|----------------------------------|-----------------------------------|----------------------------------|
|            |                 | a<br>+0.1 (+.004)<br>-0.0 (.000) | b<br>+0.1 (+.004)<br>-0.0 (.000) | c<br>+0.1 (+.004)<br>-0.1 (-.004) | d<br>+0.1 (+.004)<br>-0.0 (.000) |
| A          | 1               | 10.36 (.408)                     | 6.88 (.270)                      | 14.35 (.565)                      | 2.26 (.089)                      |
|            | 2               | 10.19 (.401)                     | 6.40 (.252)                      | 14.35 (.565)                      | 2.26 (.089)                      |
|            | 3 & 4           | 10.19 (.401)                     | 6.40 (.252)                      | 14.35 (.565)                      | 3.70 (.146)                      |
| B          | 1               | 14.17 (.558)                     | 6.88 (.270)                      | 18.56 (.731)                      | 2.26 (.089)                      |
|            | 2               | 14.00 (.551)                     | 6.40 (.252)                      | 18.56 (.731)                      | 2.26 (.089)                      |
|            | 3 & 4           | 14.00 (.551)                     | 6.40 (.252)                      | 18.56 (.731)                      | 3.70 (.146)                      |
| C          | 1               | 17.98 (.708)                     | 6.88 (.270)                      | 21.97 (.865)                      | 2.26 (.089)                      |
|            | 2               | 17.81 (.701)                     | 6.40 (.252)                      | 21.97 (.865)                      | 2.26 (.089)                      |
|            | 3 & 4           | 17.81 (.701)                     | 6.40 (.252)                      | 21.97 (.865)                      | 3.70 (.146)                      |
| D          | 1               | 20.52 (.808)                     | 6.88 (.270)                      | 24.51 (.965)                      | 2.26 (.089)                      |
|            | 2               | 20.34 (.801)                     | 6.40 (.252)                      | 24.51 (.965)                      | 2.26 (.089)                      |
|            | 3 & 4           | 20.34 (.801)                     | 6.40 (.252)                      | 24.51 (.965)                      | 3.70 (.146)                      |
| E          | 1               | 24.33 (.958)                     | 6.88 (.270)                      | 28.32 (1.115)                     | 2.26 (.089)                      |
|            | 2               | 24.16 (.951)                     | 6.40 (.252)                      | 28.32 (1.115)                     | 2.26 (.089)                      |
|            | 3 & 4           | 24.16 (.951)                     | 6.40 (.252)                      | 28.32 (1.115)                     | 3.70 (.146)                      |
| F          | 1               | 28.14 (1.108)                    | 6.88 (.270)                      | 32.13 (1.265)                     | 2.26 (.089)                      |
|            | 2               | 27.97 (1.101)                    | 6.40 (.252)                      | 32.13 (1.265)                     | 2.26 (.089)                      |
|            | 3 & 4           | 27.97 (1.101)                    | 6.40 (.252)                      | 32.13 (1.265)                     | 3.70 (.146)                      |
| G          | 1               | 26.87 (1.058)                    | 8.00 (.315)                      | 30.86 (1.215)                     | 2.26 (.089)                      |
|            | 2               | 26.70 (1.051)                    | 7.49 (.295)                      | 30.86 (1.215)                     | 2.26 (.089)                      |
|            | 3 & 4           | 26.70 (1.051)                    | 7.49 (.295)                      | 30.86 (1.215)                     | 3.70 (.146)                      |
| H          | 1               | 39.05 (1.537)                    | 8.00 (.315)                      | 43.36 (1.707)                     | 2.26 (.089)                      |
|            | 2               | 38.65 (1.522)                    | 7.49 (.295)                      | 43.36 (1.707)                     | 2.26 (.089)                      |
|            | 3 & 4           | 38.65 (1.522)                    | 7.49 (.295)                      | 43.36 (1.707)                     | 3.70 (.146)                      |
| J          | 1               | 48.05 (1.892)                    | 11.40 (.449)                     | 54.85 (2.159)                     | 3.20 (.126)                      |
|            | 2               | 46.80 (1.842)                    | 11.10 (.437)                     | 54.85 (2.159)                     | 3.20 (.126)                      |
|            | 3 & 4           | 46.80 (1.842)                    | 11.10 (.437)                     | 54.85 (2.159)                     | 5.60 (.220)                      |

All dimensions in mm (inches)



## Mounting operations and hardware

### PCB drilling

| Shell size | Number of contacts | Drilling dimensions |
|------------|--------------------|---------------------|
| A          | 7                  |                     |
| B          | 11                 |                     |
| C          | 13                 |                     |
| D          | 17                 |                     |
| E          | 21                 |                     |

| Shell size | Number of contacts | Drilling dimensions |
|------------|--------------------|---------------------|
| F          | 25                 |                     |
| G          | 33                 |                     |
| H          | 51                 |                     |
| J          | 104                |                     |

All dimensions in mm (inches)

|      | X            | Y            |
|------|--------------|--------------|
| OL3  | 1.732 (.068) | 3.464 (.136) |
| 1AON | 2.540 (.1)   | 5.08 (.2)    |

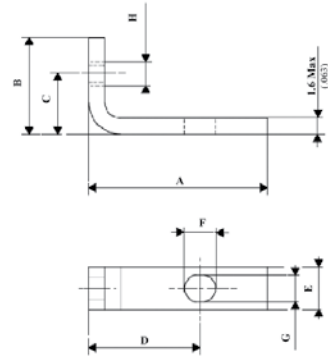
Note: we suggest 0.89 (.035) Ø hole for contact termination positions on PCB (0.50 (.020) Ø spills).



## Mounting hardware

### Brackets for mounting on PCB with 90° bent contacts

Use thread locking (Loctite 222) to screw standard jackpost in the brackets. Torque value: 0,44Nm to 0,48Nm



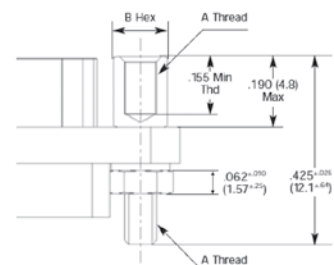
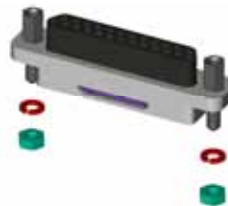
| Shell size   | A to H   |          | J        |          |
|--------------|----------|----------|----------|----------|
| Torque value | Min (Nm) | Max (Nm) | Min (Nm) | Max (Nm) |
|              | 0.44     | 0.48     | 0.6      | 0.66     |

| For shell size | P/N for individual packaging (one package for one mated pair: 2 brackets) | P/N for packaging per 50 (one package for 50 mated pair: 100 brackets) | A max           | B max           | C                         | D                          | E                         | F max          | G                          | H                |
|----------------|---|--|-----------------|-----------------|---------------------------|----------------------------|---------------------------|----------------|----------------------------|------------------|
| A to F         | 8MCBKAF   | 8MCBKAF50  | 14.10<br>(.555) | 8.60<br>(.338)  | 5.0±0.10<br>(.197±.004)   | 9.17 ±0.10<br>(.361 ±.004) | 4.0 ±0.10<br>(.158 ±.004) | 3.15<br>(.124) | 2.44 ±0.10<br>(.096 ±.004) | #20-56<br>UNC-2B |
| G and H        | 8MCBKGH   | 8MCBKGH50  | 16.90<br>(.665) | 9.10<br>(.359)  | 5.6±0.10<br>(.220 ±.004)  | 10.44±0.10<br>(.411 ±.004) | 4.0±0.10<br>(.158 ±.004)  | 3.15<br>(.124) | 2.44 ±0.10<br>(.096 ±.004) | #20-56<br>UNC-2B |
| J              | 8MCBKJ  | 8MCBKJ50   | 23.10<br>(.909) | 13.10<br>(.515) | 7.35±0.10<br>(.290 ±.004) | 13.13±0.10<br>(.516 ±.004) | 6.50±0.10<br>(.256 ±.004) | 4.20<br>(.165) | 3.15 ±0.15<br>(.124 ±.006) | #20-56<br>UNC-2B |

All dimensions in mm (inches)

### Standard Jackpost

| Shell size           | A to H   |          | J        |          |
|----------------------|----------|----------|----------|----------|
| Torque Values        | Min (Nm) | Max (Nm) | Min (Nm) | Max (Nm) |
| Jackpost male side   | 0.44     | 0.48     | 0.6      | 0.66     |
| Jackpost female side | 0.28     | 0.32     | 0.4      | 0.44     |
| Nut                  | 0.44     | 0.48     | 0.6      | 0.66     |

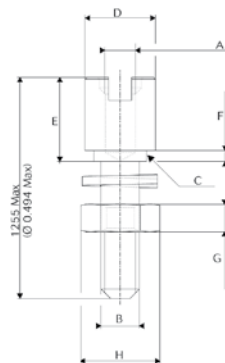
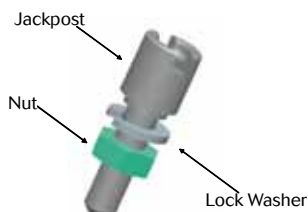
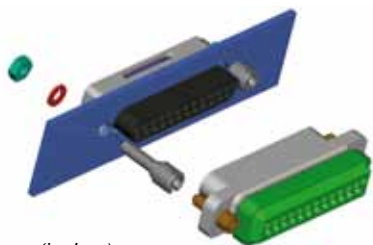


| For shell size   | A to H                                      | J               |
|--|---|-----------------|
| MIL Spec   | MIL 83513/05-07                             | MIL 83513/05-17 |
| A thread size  | #2-56 UNC                                   | #4-40 UNC       |
| B hex size in mm (inch)  | 3,18 (.125)                                 | 4,75 (.187)     |
| Lock washer  | NASM35338-134                               | NASM35338-135   |
| Material & Finish  | 303 stainless steel, passivated per QQ-P-35 |                 |
| P/N for Individual packaging (one package for one mated pair: 2 posts, 2 washers and 2 nuts)       | 8MCJP507                                    | 8MCJP517        |
| P/N for packaging per 50 kits (one package for 50 mated pair: 100 posts, 100 washers and 100 nuts) | 8MCJP50750                                  | 8MCJP51750      |



## Mounting hardware

### Jackposts for rear panel mounting



All dimensions in mm (inches)

| For shell size A to H  |   |                     |                     |                     |                     |
|--|---|---------------------|---------------------|---------------------|---------------------|
| Panel thickness  | 0,8 mm<br>(.031 in)                         | 1,2 mm<br>(.047 in) | 1,6 mm<br>(.063 in) | 2,4 mm<br>(.094 in) | 3,2 mm<br>(.126 in) |
| A thread size  | #2-56 UNC-2B                                |                     |                     |                     |                     |
| B thread size  | #2-56 UNC-2A                                |                     |                     |                     |                     |
| C max  | Ø 3,0 (.118)                                |                     |                     |                     |                     |
| D max  | Ø 4,1 (.161)                                |                     |                     |                     |                     |
| E  | 4,70/4,83 (.185/.190)                       |                     |                     |                     |                     |
| F max  | 0,615 (.022)                                | 1,09 (.042)         | 1,45 (.057)         | 2,23 (.087)         | 3,05 (.120)         |
| G max  | 1.67 (.066)                                 |                     |                     |                     |                     |
| H max  | 4,0 (.157)                                  |                     |                     |                     |                     |
| Lock washer  | NASM35338-134                               |                     |                     |                     |                     |
| Material & Finish  | 303 stainless steel, passivated per QQ-P-35 |                     |                     |                     |                     |
| P/N for Individual packaging (one package for one mated pair: 2 posts, 2 washers and 2 nuts)       | 8MCJP008                                    | 8MCJP012            | 8MCJP016            | 8MCJP024            | 8MCJP032            |
| P/N for packaging per 50 kits (one package for 50 mated pair: 100 posts, 100 washers and 100 nuts) | 8MCJP00850                                  | 8MCJP01250          | 8MCJP01650          | 8MCJP02450          | 8MCJP03250          |

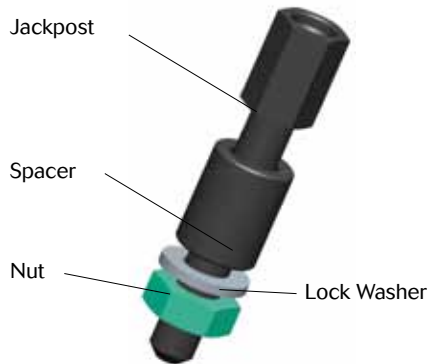
| For shell size J   |   |                     |                     |                     |                     |
|--|---|---------------------|---------------------|---------------------|---------------------|
| Panel thickness  | 0,8 mm<br>(.031 in)                         | 1,2 mm<br>(.047 in) | 1,6 mm<br>(.063 in) | 2,4 mm<br>(.094 in) | 3,2 mm<br>(.126 in) |
| A thread size  | #4-40 UNC-2B                                |                     |                     |                     |                     |
| B thread size  | #4-40 UNC-2A                                |                     |                     |                     |                     |
| C max  | Ø 3,6 (.141)                                |                     |                     |                     |                     |
| D max  | Ø 4,71 (.185)                               |                     |                     |                     |                     |
| E  | 4,45/4,70 (.175/.185)                       |                     |                     |                     |                     |
| F max  | 0,615 (.022)                                | 1,09 (.042)         | 1,45 (.057)         | 2,23 (.087)         | 3,05 (.120)         |
| G max  | 1.67 (.066)                                 |                     |                     |                     |                     |
| H max  | 4,0 (.157)                                  |                     |                     |                     |                     |
| Lock washer  | NASM35338-135                               |                     |                     |                     |                     |
| Material & Finish  | 303 stainless steel, passivated per QQ-P-35 |                     |                     |                     |                     |
| P/N for Individual packaging (one package for one mated pair: 2 posts, 2 washers and 2 nuts)       | 8MCJP008                                    | 8MCJP512            | 8MCJP516            | 8MCJP524            | 8MCJP532            |
| P/N for packaging per 50 kits (one package for 50 mated pair: 100 posts, 100 washers and 100 nuts) | 8MCJP50850                                  | 8MCJP51250          | 8MCJP51650          | 8MCJP52450          | 8MCJP53250          |





## Mounting hardware

Jackposts for PCB mounting (straight spills/PC tails):



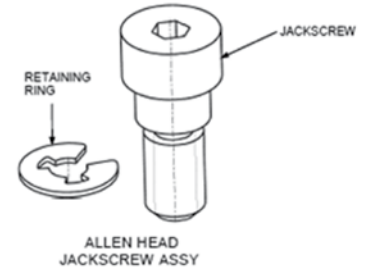
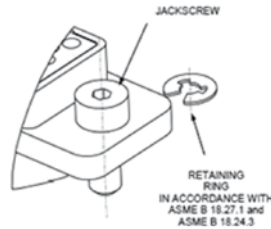
| For shell size   | A to H                                      | J             |
|--|---|---------------|
| A thread size  | #2-56 UNC                                   | #4-40 UNC     |
| B hex size in mm (inch)  | 3,18 (.125)                                 | 4,75 (.187)   |
| Lock washer  | NASM35338-134                               | NASM35338-135 |
| Material & Finish  | 303 stainless steel, passivated per QQ-P-35 |               |
| P/N for Individual packaging (one package for one mated pair: 2 posts, 2 washers and 2 nuts)       | 8MCJPS070                                   | 8MCJPS170     |
| P/N for packaging per 50 kits (one package for 50 mated pair: 100 posts, 100 washers and 100 nuts) | 8MCJPS07050                                 | 8MCJPS17050   |
| Jackpost   |   |               |
| Spacer   |   |               |



## Mounting hardware

### Standard Jackscrews

| Torque Values | Min (Nm) | Max (Nm) |
|---------------|----------|----------|
| Screw         | 0.40     | 0.44     |



| For shell size  | A to H                                      |                 | J               |                 |
|---|---|-----------------|-----------------|-----------------|
|   | #2-56 UNC                                   |                 | #4-40 UNC       |                 |
| Dimensions in mm (inch)   |   |                 |                 |                 |
| Head type   | Allen head                                  | Slot head       | Allen head      | Slot head       |
| MIL Spec  | MIL 83513/05-02                             | MIL 83513/05-05 | MIL 83513/05-12 | MIL 83513/05-15 |
| Material & Finish   | 303 stainless steel, passivated per QQ-P-35 |                 |                 |                 |
| P/N for Individual packaging (one package for one mated pair: 2 screws and 2 e-rings)     | 8MCJS502                                    | 8MCJS505        | 8MCJS512        | 8MCJS515        |
| P/N for packaging per 50 kits (one package for 50 mated pair: 100 screws and 100 e-rings) | 8MCJS50250                                  | 8MCJS50550      | 8MCJS51250      | 8MCJS51550      |



## Hermetic Feedthrough



microComp® feedthroughs have a leak rate less than  $10^{-9}$  atm.  $\text{cm}^3/\text{s}$  thanks to a ceramic sealing technology developed by PA&E, a SOURIAU subsidiary.

Both sides of the feedthrough are male contacts which are fully protected by the insulator to avoid any bent pin.

Shell types: O'ring or laser weldable (consult us).



### Technical characteristics

#### Electrical

- Contact size: #26
- Current rating: 2,5 Amp
- Insulation resistance:  
Greater than 500 Megohms at  $500 \pm 10\%$  VDC at  $25^\circ\text{C}$  when tested IAW MIL-STD-1344, method 3003.
- Dielectric withstanding voltage:  
Must Show no evidence of breakdown or flashover when subjected to 500 VAC RMS 60 Hz  
IAW MIL-STD-1344, method 3001  
Duration of application to be 1 Sec. Min.

#### Mechanical

- Endurance / durability:  
500 mating/unmating operations
- Vibration:  
random: 44g  
sine: 20g
- Shock: 50g

#### Climatic

- Operating temperature range:  
 $-55^\circ\text{C} / +170^\circ\text{C}$

#### Environmental

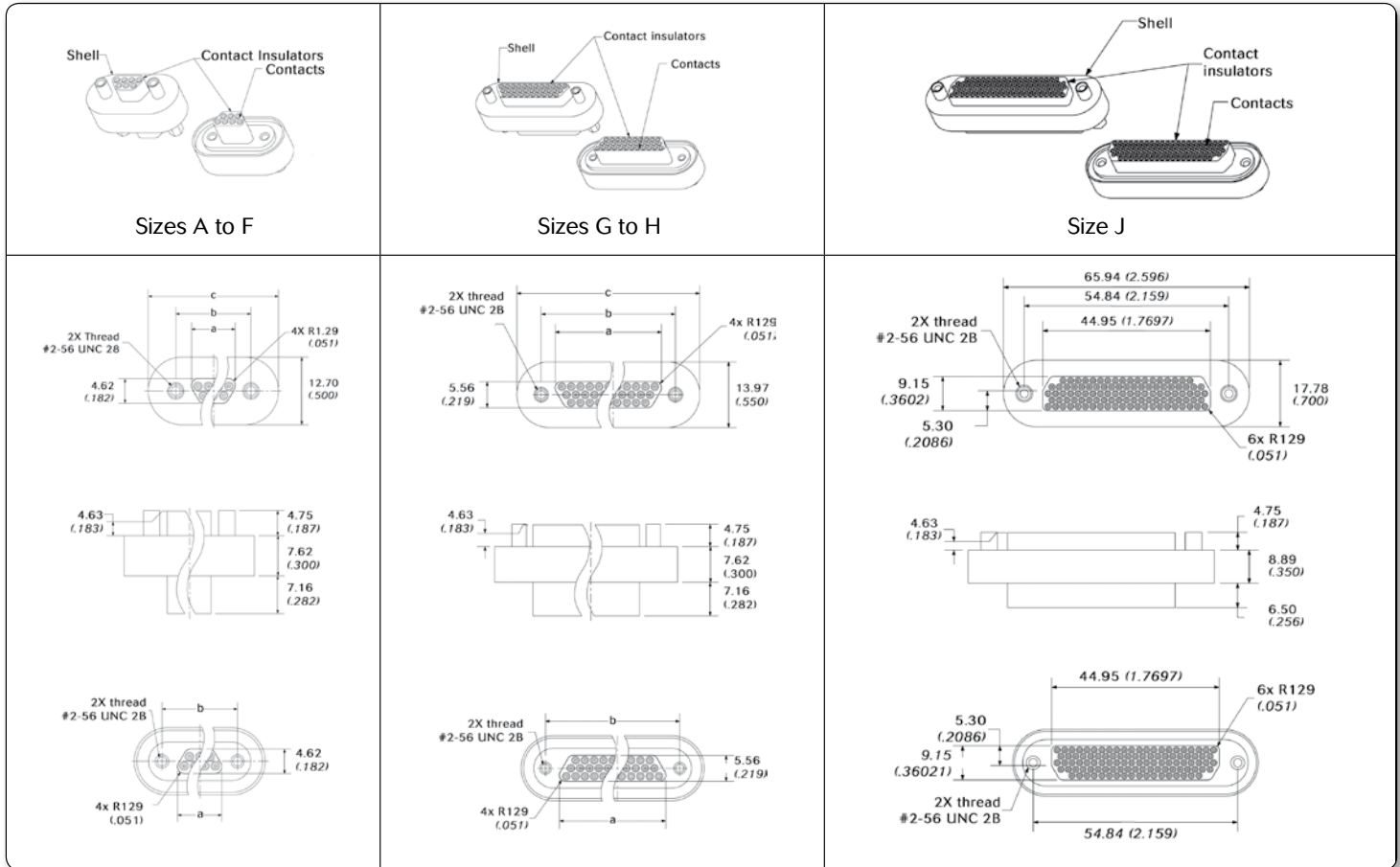
- RoHS: compliant

#### Material and finishes

- Shell:  
Stainless steel (dismountable version) or aluminum (laser weldable version).
- Contacts:  
Beryllium-copper
- Hermetic insulator:  
Ceramic sealing
- Contact insulator: thermoplastic
- Contact plating:  
Electrolytic nickel plate IAW-QQ-N-290 - .000100/.000250 thick.  
Gold plate IAW ASTM B488, Type III, code A - .000050/.000100 thick.



Physical dimensions



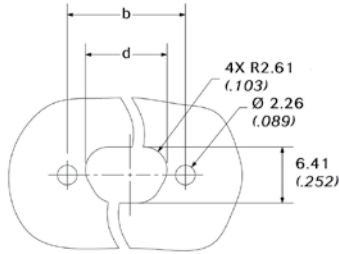
| Shell size | a                | b                | c                | d                |
|------------|------------------|------------------|------------------|------------------|
| A          | 8,41<br>(.331)   | 14,35<br>(.565)  | 21,46<br>(.845)  | 10,19<br>(.401)  |
| B          | 12,22<br>(.481)  | 18,16<br>(.715)  | 25,27<br>(.995)  | 14,00<br>(.551)  |
| C          | 16,03<br>(.631)  | 22,00<br>(.866)  | 29,08<br>(1.145) | 17,81<br>(.701)  |
| D          | 18,57<br>(.731)  | 24,51<br>(.965)  | 31,62<br>(1.245) | 20,35<br>(.801)  |
| E          | 22,38<br>(.881)  | 28,32<br>(1.115) | 35,43<br>(1.395) | 24,16<br>(.951)  |
| F          | 26,19<br>(1.031) | 32,13<br>(1.265) | 39,24<br>(1.545) | 27,97<br>(1.101) |
| G          | 24,92<br>(.981)  | 30,86<br>(1.215) | 41,33<br>(1.627) | 38,66<br>(1.522) |
| H          | 36,78<br>(1.448) | 42,85<br>(1.687) | 53,82<br>(2.119) | 38,66<br>(1.522) |

All dimensions in mm (inches)

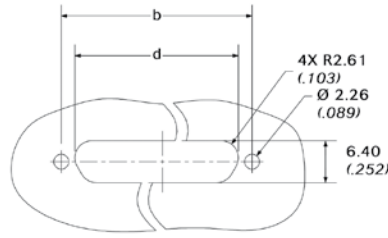


## Hermetic Feedthrough

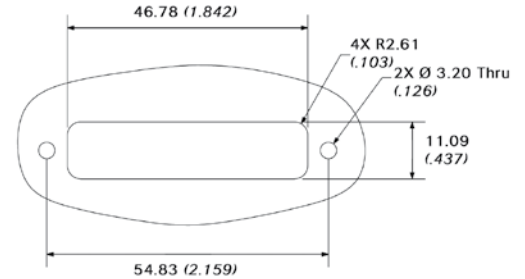
### Panel cutout



Sizes A to F



Sizes G to H



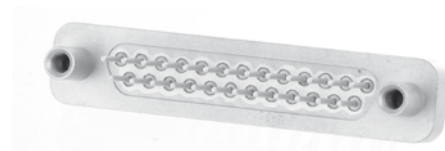
Size J

Use the jackposts for panel mounting defined in the Mounting Hardware section to mount the connector to the panel.

### Ordering information

| Hermetic series                         | 8MCH | BD   | S | N | F25 | PP |
|---|------|--|---|---|-----|----|
| <b>Bulkhead Feedthrough:</b>            |      | BD: Dismountable version (with O'ring)<br>BL: laser weldable version   |   |   |     |    |
| <b>Shell Material:</b>                  |      | A: Aluminum (laser weldable version only)*<br>S: Stainless Steel (dismountable version only)   |   |   |     |    |
| <b>Shell plating:</b>                   |      | N: Nickel  |   |   |     |    |
| <b>Shell size &amp; contact layout:</b> |      | A7: 7 contacts<br>B11: 11 contacts*<br>C13: 13 contacts*<br>D17: 17 contacts<br>E21: 21 contacts*<br>F25: 25 contacts<br>G33: 33 contacts*<br>H51: 51 contacts<br>J104: 104 contacts |   |   |     |    |
| <b>Contact type:</b>                    |      | PP: Male/male bulkhead   |   |   |     |    |

Jackpost kits are never included  
\* Consult us for availability



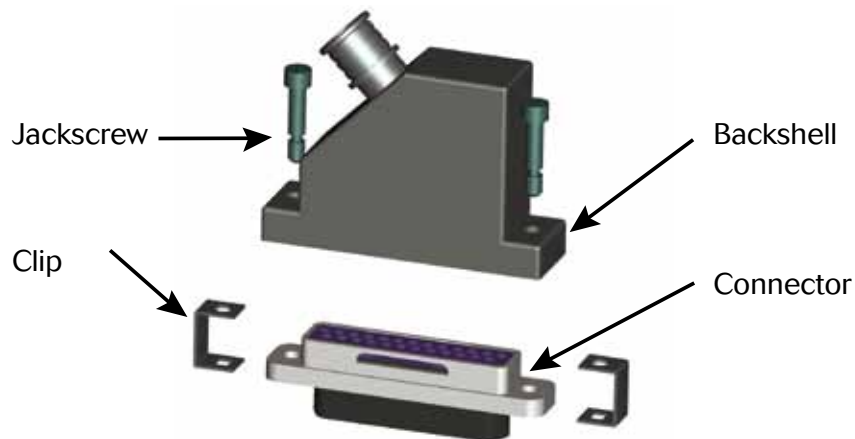
For Laser weldable version or other hermetic microComp® with PC tails (straight or 90° bent): consult us



## EMI Backshells

### Technical features

- Backshell kits consist of one low profile machined aluminum alloy backshell nickel plated, two jackscrews (or jackposts) and two clips.
- Cable exits are designed for banded clamp termination. Once the braided copper shield is secure to the backshell the cable can be terminated with an heatshrink boot.
- Available with circular and/or elliptical entry, depending on shell size.
- Available with straight, 45° and 90° entry.
- For cable-to-box or cable-to-cable connection (for one cable-to-cable assembly, order one backshell with jackpost and one with jackscrew).
- These backshells are non environmental and are not for use with *microComp*® equipped with grommets. Fill with potting compound to prevent water intrusion.



### Cable entry size

Each backshell is available with 2 entry sizes, circular and/or elliptical

| Shell size | Entry code | Entry shape | Circular entry size in mm ( <i>inch</i> ) |                 | Elliptical entry size in mm ( <i>inch</i> ) |               | Entry surface in mm <sup>2</sup> ( <i>inch</i> <sup>2</sup> ) |
|------------|------------|-------------|---|-----------------|---|---------------|---|
|            |            |             | ø g                                       | x ±0.15 (±.060) | y ±0.15(±.060)                              |               |   |
| A-B        | 02         | Circular    | 3,20 (.126)                               | -               | -   | 8.04 (.012)   |   |
|            | 03         | Circular    | 4,80 (.189)                               | -               | -   | 18.1 (.028)   |   |
| C-D        | 03         | Circular    | 4,80 (.189)                               | -               | -   | 18.1 (.028)   |   |
|            | 04         | Circular    | 6,40 (.252)                               | -               | -   | 32.17 (.05)   |   |
| E-F        | 03         | Circular    | 4,80 (.189)                               | -               | -   | 18.1 (.028)   |   |
|            | 05         | Elliptical  | -   | 10,80 (.425)    | 5,80 (.229)                                 | 49.2 (.076)   |   |
| G          | 04         | Circular    | 6,40 (.252)                               | -               | -   | 32.17 (.05)   |   |
|            | 06         | Circular    | 9,50 (.374)                               | -               | -   | 70.9 (.110)   |   |
| H          | 05         | Elliptical  | -   | 10,80 (.425)    | 5,80 (.229)                                 | 49.2 (.076)   |   |
|            | 07         | Elliptical  | -   | 21,00 (.827)    | 5,8 (.228)                                  | 95.7 (.148)   |   |
| J          | 08         | Elliptical  | -   | 23,50 (.925)    | 6,80 (.268)                                 | 125.5 (.195)  |   |
|            | 10         | Elliptical  | -   | 33,00 (1.3)     | 7,8 (.307)                                  | 202.15 (.313) |   |



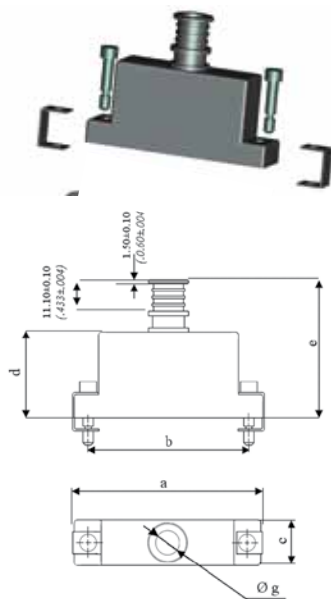
## EMI Backshells

### Straight backshell

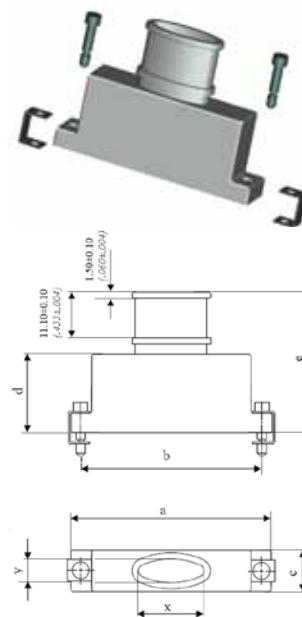
|                           |  |          |            |           |          |
|---------------------------|--|----------|------------|-----------|----------|
| <b>Straight backshell</b> | <b>8MCBS</b>   | <b>F</b> | <b>001</b> | <b>03</b> | <b>N</b> |
| Shell size:               | <b>A - B - C - D - E - F - G - H - J</b>   |          |            |           |          |
| Environment:              | <b>None:</b> for connector without grommet   |          |            |           |          |
| Straight version:         | 001  |          |            |           |          |
| Cable entry type:         | see «Cable entry size» table   |          |            |           |          |
| Finish:                   | <b>N:</b> electroless Nickel   |          |            |           |          |
| Mounting hardware:        | <b>None:</b> jackscrews (standard use)<br><b>F:</b> jackposts (for cable to cable connection only) |          |            |           |          |

Backshells are always supplied with 2 clips and 2 jackscrews or jackposts

*Circular entry*



*Elliptical entry*



| Shell Size        | A               | B               | C                | D                | E                | F                | G                | H                | J                |
|-------------------|-----------------|-----------------|------------------|------------------|------------------|------------------|------------------|------------------|------------------|
| a ±0.15<br>(±060) | 19,70<br>(.776) | 23,40<br>(.921) | 27,30<br>(1.075) | 29,85<br>(1.176) | 33,70<br>(1.327) | 37,50<br>(1.476) | 36,10<br>(1.421) | 48,85<br>(1.923) | 62,80<br>(2.473) |
| b ±0.13<br>(±051) | 14,35<br>(.565) | 18,16<br>(.715) | 21,97<br>(.865)  | 24,51<br>(.965)  | 28,32<br>(1.115) | 32,13<br>(1.265) | 30,86<br>(1.215) | 43,36<br>(1.707) | 54,85<br>(2.160) |
| c ±0.15<br>(±060) | 9,00<br>(.354)  | 9,00<br>(.354)  | 9,00<br>(.354)   | 9,00<br>(.354)   | 9,00<br>(.354)   | 9,00<br>(.354)   | 10,00<br>(.394)  | 10,00<br>(.395)  | 13,00<br>(.512)  |
| d Max.            | 10,00<br>(.394) | 12,00<br>(.472) | 14,00<br>(.551)  | 16,00<br>(.623)  | 17,00<br>(.670)  | 18,00<br>(.709)  | 19,00<br>(.748)  | 19,00<br>(.748)  | 21,00<br>(.827)  |
| e Max.            |                 |                 |                  |                  |                  |                  |                  |                  |                  |

|                         |                |                |                |                |                |                |                |                |                 |
|-------------------------|----------------|----------------|----------------|----------------|----------------|----------------|----------------|----------------|-----------------|
| Max weight<br>in g (oz) | 3,50<br>(0.12) | 3,80<br>(0.13) | 5,00<br>(0.18) | 5,60<br>(0.20) | 7,00<br>(0.25) | 7,70<br>(0.27) | 9,20<br>(0.32) | 9,50<br>(0.34) | 14,50<br>(0.51) |
|-------------------------|----------------|----------------|----------------|----------------|----------------|----------------|----------------|----------------|-----------------|

All dimensions in mm (inches)





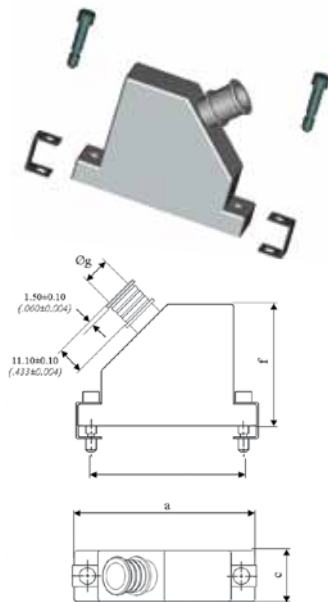
## EMI Backshells

### 45° backshell

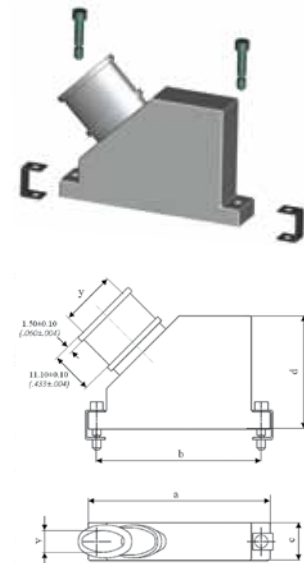
|                           |  |          |            |           |          |
|---------------------------|--|----------|------------|-----------|----------|
| <b>Straight backshell</b> | <b>8MCBS</b>   | <b>F</b> | <b>101</b> | <b>03</b> | <b>N</b> |
| Shell size:               | <b>A - B - C - D - E - F - G - H - J</b>   |          |            |           |          |
| Environment:              | <b>None:</b> for connector without grommet   |          |            |           |          |
| Straight version:         | 101  |          |            |           |          |
| Cable entry type:         | see «Cable entry size» table   |          |            |           |          |
| Finish:                   | <b>N:</b> electroless Nickel   |          |            |           |          |
| Mounting hardware:        | <b>None:</b> jackscrews (standard use)<br><b>F:</b> jackposts (for cable to cable connection only) |          |            |           |          |

Backshells are always supplied with 2 clips and 2 jackscrews or jackposts

*Circular entry*



*Elliptical entry*



| Shell Size        | A               | B               | C                | D                | E                | F                | G                | H                | J                |
|-------------------|-----------------|-----------------|------------------|------------------|------------------|------------------|------------------|------------------|------------------|
| a ±0.15<br>(±060) | 19,70<br>(.776) | 23,40<br>(.921) | 27,30<br>(1.075) | 29,85<br>(1.176) | 33,70<br>(1.327) | 37,50<br>(1.476) | 36,10<br>(1.421) | 48,85<br>(1.923) | 62,80<br>(2.473) |
| b ±0.13<br>(±051) | 14,35<br>(.565) | 18,16<br>(.715) | 21,97<br>(.865)  | 24,51<br>(.965)  | 28,32<br>(1.115) | 32,13<br>(1.265) | 30,86<br>(1.215) | 43,36<br>(1.707) | 54,85<br>(2.160) |
| c ±0.15<br>(±060) | 9,00<br>(.354)  | 9,00<br>(.354)  | 9,00<br>(.354)   | 9,00<br>(.354)   | 9,00<br>(.354)   | 9,00<br>(.354)   | 10,00<br>(.394)  | 10,00<br>(.395)  | 13,00<br>(.512)  |
| d Max.            | 10,00<br>(.394) | 12,00<br>(.472) | 14,00<br>(.551)  | 16,00<br>(.623)  | 17,00<br>(.670)  | 18,00<br>(.709)  | 19,00<br>(.748)  | 23,00<br>(.905)  | 25,00<br>(.984)  |
| f Max.            | 21,00<br>(.827) | 23,00<br>(.906) | 25,00<br>(.984)  | 27,00<br>(1.063) | 28,00<br>(1.102) | 29,00<br>(1.142) | 30,00<br>(1.181) | 30,00<br>(1.058) | 38,00<br>(1.340) |

|                         |                |                |                |                |                |                 |                 |                 |                 |
|-------------------------|----------------|----------------|----------------|----------------|----------------|-----------------|-----------------|-----------------|-----------------|
| Max weight<br>in g (oz) | 5,20<br>(0.18) | 6,20<br>(0.22) | 7,35<br>(0.26) | 8,45<br>(0.30) | 9,25<br>(0.33) | 10,70<br>(0.38) | 11,45<br>(0.40) | 12,00<br>(0.42) | 19,00<br>(0.67) |
|-------------------------|----------------|----------------|----------------|----------------|----------------|-----------------|-----------------|-----------------|-----------------|

All dimensions in mm (inches)



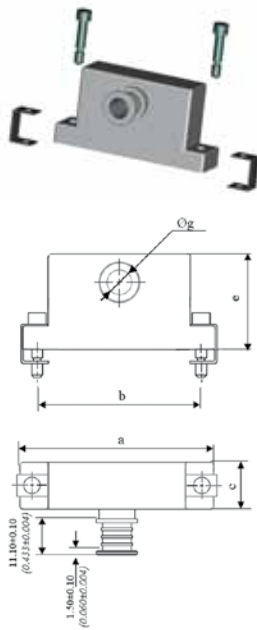
## EMI Backshells

### 90° backshell

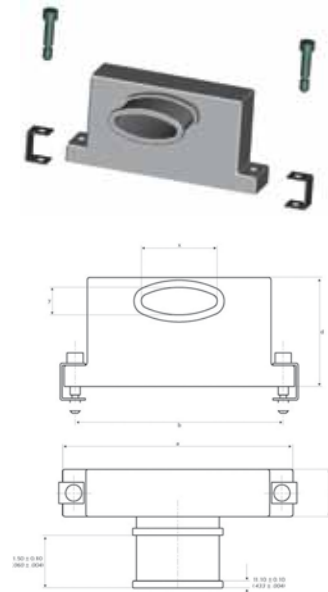
|                           |  |          |            |           |          |
|---------------------------|--|----------|------------|-----------|----------|
| <b>Straight backshell</b> | <b>8MCBS</b>   | <b>F</b> | <b>201</b> | <b>03</b> | <b>N</b> |
| Shell size:               | <b>A - B - C - D - E - F - G - H - J</b>   |          |            |           |          |
| Environment:              | <b>None:</b> for connector without grommet   |          |            |           |          |
| Straight version:         | 201  |          |            |           |          |
| Cable entry type:         | see «Cable entry size» table   |          |            |           |          |
| Finish:                   | <b>N:</b> electroless Nickel   |          |            |           |          |
| Mounting hardware:        | <b>None:</b> jackscrews (standard use)<br><b>F:</b> jackposts (for cable to cable connection only) |          |            |           |          |

Backshells are always supplied with 2 clips and 2 jackscrews or jackposts

*Circular entry*



*Elliptical entry*



| Shell Size         | A               | B               | C                | D                | E                | F                | G                | H                | J                |
|--------------------|-----------------|-----------------|------------------|------------------|------------------|------------------|------------------|------------------|------------------|
| a ±0.15<br>(±.060) | 19,70<br>(.776) | 23,40<br>(.921) | 27,30<br>(1.075) | 29,85<br>(1.176) | 33,70<br>(1.327) | 37,50<br>(1.476) | 36,10<br>(1.421) | 48,85<br>(1.923) | 62,80<br>(2.473) |
| b ±0.13<br>(±.051) | 14,35<br>(.565) | 18,16<br>(.715) | 21,97<br>(.865)  | 24,51<br>(.965)  | 28,32<br>(1.115) | 32,13<br>(1.265) | 30,86<br>(1.215) | 43,36<br>(1.707) | 54,85<br>(2.160) |
| c ±0.15<br>(±.060) | 9,00<br>(.354)  | 9,00<br>(.354)  | 9,00<br>(.354)   | 9,00<br>(.354)   | 9,00<br>(.354)   | 9,00<br>(.354)   | 10,00<br>(.394)  | 10,00<br>(.395)  | 13,00<br>(.512)  |
| d Max.             | 10,00<br>(.394) | 12,00<br>(.472) | 14,00<br>(.551)  | 16,00<br>(.623)  | 17,00<br>(.670)  | 18,00<br>(.709)  | 19,00<br>(.748)  | 23,00<br>(.905)  | 25,00<br>(.984)  |

|                         |                |                |                |                |                |                 |                 |                 |                 |
|-------------------------|----------------|----------------|----------------|----------------|----------------|-----------------|-----------------|-----------------|-----------------|
| Max weight<br>in g (oz) | 5,13<br>(0.18) | 6,20<br>(0.22) | 7,31<br>(0.26) | 8,44<br>(0.30) | 9,25<br>(0.33) | 10,44<br>(0.38) | 11,44<br>(0.40) | 12,00<br>(0.42) | 19,00<br>(0.67) |
|-------------------------|----------------|----------------|----------------|----------------|----------------|-----------------|-----------------|-----------------|-----------------|

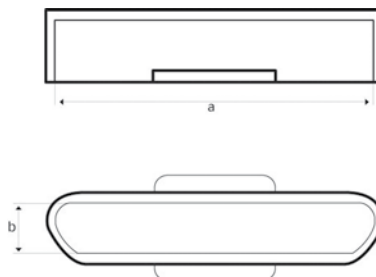
All dimensions in mm (inches)



## Dust Caps

### Molded plastic dust caps

- Anti-static dust caps in rugged plastic material that resists cracking
- Material : Polypropylene
- Color : black.



| Shell size | Gender     | Part number | a               | b              |
|------------|------------|-------------|-----------------|----------------|
| A          | P (male)   | 8MC DC AP   | 8<br>(.315)     | 4,7<br>(.184)  |
|            | S (female) | 8MC DC AS   | 9,8<br>(.385)   | 6,4<br>(.250)  |
| B          | P          | 8MC DC BP   | 11,8<br>(.465)  | 4,7<br>(.184)  |
|            | S          | 8MC DC BS   | 13,6<br>(.535)  | 6,4<br>(.250)  |
| C          | P          | 8MC DC CP   | 15,6<br>(.615)  | 4,7<br>(.184)  |
|            | S          | 8MC DC CS   | 17,4<br>(.685)  | 6,4<br>(.250)  |
| D          | P          | 8MC DC DP   | 18,2<br>(.715)  | 4,7<br>(.184)  |
|            | S          | 8MC DC DS   | 19,9<br>(.785)  | 6,4<br>(.250)  |
| E          | P          | 8MC DC EP   | 22<br>(.865)    | 4,7<br>(.184)  |
|            | S          | 8MC DC ES   | 23,7<br>(.935)  | 6,4<br>(.250)  |
| F          | P          | 8MC DC FP   | 25,8<br>(1.015) | 4,7<br>(.184)  |
|            | S          | 8MC DC FS   | 27,6<br>(1.085) | 6,4<br>(.250)  |
| G          | P          | 8MC DC GP   | 24,5<br>(.965)  | 5,8<br>(.227)  |
|            | S          | 8MC DC GS   | 26,3<br>(1.035) | 7,4<br>(.292)  |
| H          | P          | 8MC DC HP   | 37,9<br>(1.492) | 5,8<br>(.228)  |
|            | S          | 8MC DC HS   | 38,8<br>(1.528) | 7,4<br>(.291)  |
| J          | P          | 8MC DC JP   | 45,2<br>(1.78)  | 9,35<br>(.368) |
|            | S          | 8MC DC JS   | 46,8<br>(1.843) | 11<br>(.433)   |

All dimensions in mm (inches)



**Under development - Consult us**

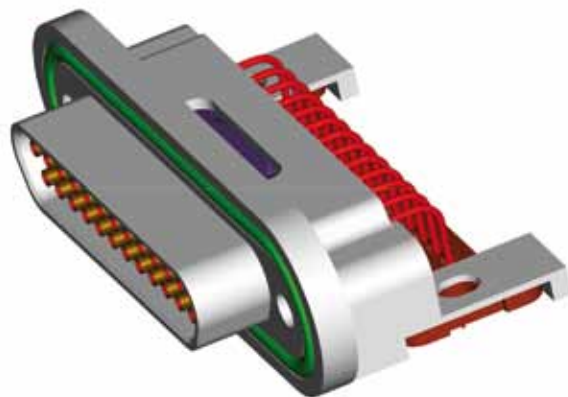
**Quick connect for harsh environment - 104 contacts**



**Quick connect for cabin environment**

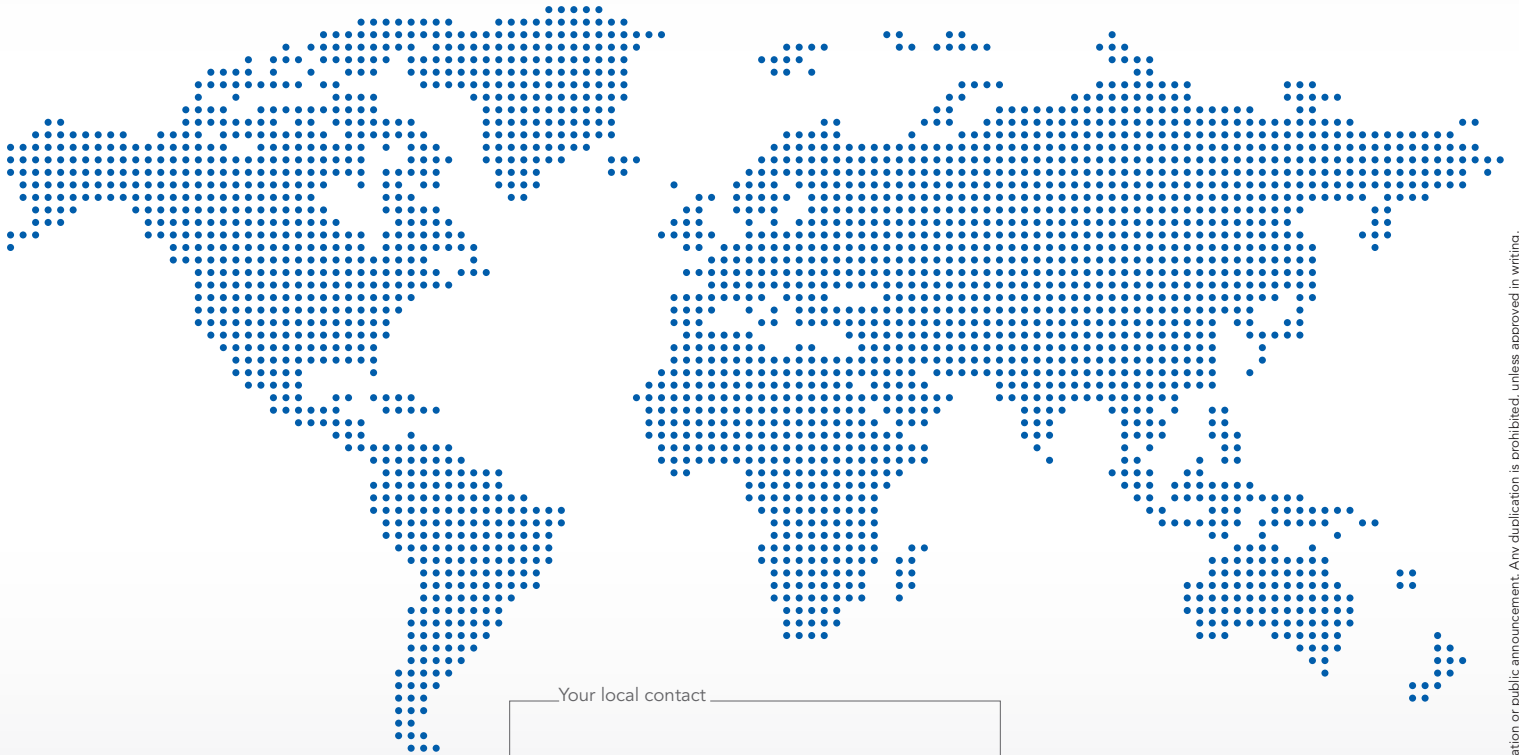


**Fully IP67 *microComp*<sup>®</sup>**





# Reliable People, Reliable Solutions



Your local contact



Our contribution to environmental protection:  
This catalog is printed on PEFC certified paper  
Advancement of sustainable wood cultivation. [www.pefc.org](http://www.pefc.org)

[www.esterline-connection-technologies.com](http://www.esterline-connection-technologies.com)  
[technical-emear-ect@esterline.com](mailto:technical-emear-ect@esterline.com) (Europe - Asia - Africa)  
[technical-americas-ect@esterline.com](mailto:technical-americas-ect@esterline.com) (North America)



## SOURIAU

## X-ON Electronics

Largest Supplier of Electrical and Electronic Components

*Click to view similar products for [Crimpers / Crimping Tools](#) category:*

*Click to view products by [Sunbank](#) manufacturer:*

Other Similar products are found below :

[010-0096](#) [CT150-2-D02](#) [CT150-6-RH07](#) [622-6441LF](#) [63484-3701](#) [63800-8355](#) [63819-1875](#) [63819-2875](#) [63819-4475](#) [63827-5375](#) [64005-0175](#) [662903-2](#) [690602-6](#) [7-23471-1](#) [734611-1](#) [762637-1](#) [811242-5](#) [91362-1](#) [1-21002-3](#) [1-21002-7](#) [12118040](#) [12085270](#) [12387119-6](#) [1-22548-4](#) [125442-1](#) [DCE.91.073.BVC](#) [DCE.91.090.3MVM](#) [DCE.91.162.BVCM](#) [DCE.91.202.BVCM](#) [1310G2](#) [1333249-1](#) [1-354003-0](#) [1338301-1](#) [DF62/RE-MD](#) [142321](#) [AP105-DF11-2428S\(64\)](#) [1456088-1](#) [1-45804-6](#) [15397700](#) [AX100749](#) [1-59619-7](#) [1596970-1](#) [1-59619-8](#) [1901238-2](#) [2119581-1](#) [K761](#) [KTH-1079](#) [KTH-2022](#) [KTH-2260](#) [904139-1](#)