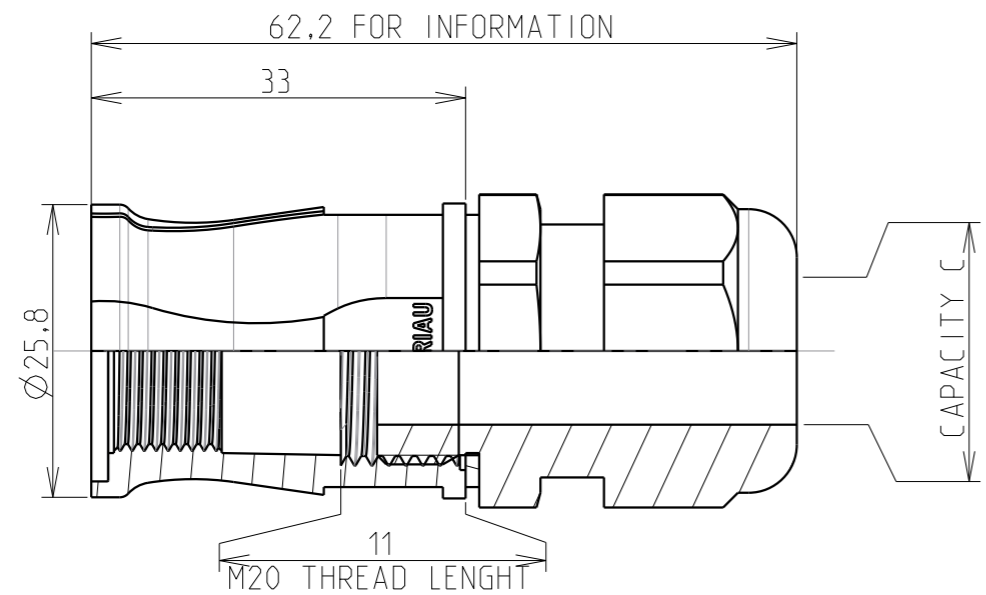
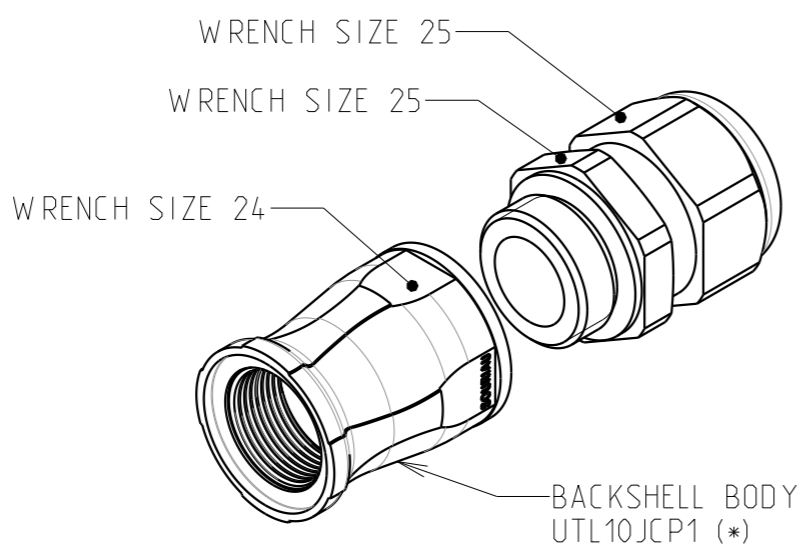


A.4: Validé



COUPE A-A  
ECHELLE 3/2



SOURIAU shall not be liable for any non-conformity or damage due to a use of the Products which does not comply with the Specifications issued by either of the Parties or by a third party (professional recommendation, technical notice.)

NOTES

|           |        |
|-----------|--------|
| MASS ± 5% | 20.5 g |
|-----------|--------|

**MATERIALS**  
 BACKSHELL BODY BLACK POLYAMID  
 CABLE GLAND BLACK POLYAMID + CR

**PERFORMANCES CHARACTERISTICS**  
**MECHANICAL**  
 TEMPERATURE CLASS IEC61984/UL1977 -40°C TO 105°C  
 SEALING IN ASSEMBLY CONDITIONS IEC60529 IP68 1BAR DURING 1WEEK  
 DIN40050 IP69K  
 MIN 1000H  
 CORROSION SALT SPRAY

ROHS COMPLIANT

- COUNTERPART REFERENCE UTL THREADED PLUG OR THREADED RECEPTACLE
- CONNECTORS ARE DELIVERED AS PRE-ASSEMBLED KIT
- CAPACITY C : Ø6.5 / Ø12
- (\*): OPTIONAL ORDERING PART NUMBERS TO BE ORDERED SEPARATELY
- UNIT IN MM

|         |                             |
|---------|-----------------------------|
| Country | Jurisdiction & Control List |
| FR      | NOT LISTED                  |

P/N : UTL10JC

|  |                |  |                           |
|--|----------------|--|---------------------------|
| A  | 13/2/18        | Creation   |                           |
| ISS  | DATE           | Latest modification - by:                            | MOD N°                    |
|  |                | R.M. Date: 13/2/18                                   | CUSTOMER DRAWING          |
| TITLE  |                | THREADED BACKSHELL ASSEMBLY SIZE 10<br>UTL CONNECTOR |                           |
| Scale  | 1/1            | General linear Tolerances: ± 0.2                     | NPRDS / PROJECT BE170912A |
| SOURIAU  |                | WWW.SOURIAU.COM                                      |                           |
| This document is the property of SOURIAU<br>It must not be reproduced or communicated without permission |                |  |                           |
| FORMAT   | SOURIAU DRG N° |  | SHEET                     |
| A3   | UTL1-0107A-C   |  | 1 / 1                     |

## X-ON Electronics

Largest Supplier of Electrical and Electronic Components

*Click to view similar products for [LED Power Supplies](#) category:*

*Click to view products by [Mean Well](#) manufacturer:*

Other Similar products are found below :

[ESS015W-1000-12](#) [EUC-075S105DT](#) [PDA-WIFI](#) [PIFC-K250F](#) [PITB-K222A](#) [ALD-514012PJ134](#) [LB240S24KH](#) [LMH020-SPLC-0000-0000001](#) [79534](#) [79535](#) [EUG-200S210DT](#) [ESS030W-1050-21](#) [ESS030W-0900-32](#) [BPOXL 4-12-035](#) [SLM160W-3.9-40-ZA](#) [ESS010W-0180-42](#) [ESS010W-0350-24](#) [ESS010W-0200-42](#) [PDA080B-1A0G](#) [PDA150B-S1A5G](#) [ZPS-20](#) [SLM140W-1.05-130-ZA](#) [ESS040W-1400-27](#) [ESS015W-0700-18](#) [ESS010E-0250-42](#) [EVM120W-2700-42-ECN2](#) [EDC-100S105SV-0007](#) [79278](#) [EUD-150S350DVA](#) [LWA320-C420-ARK-B](#) [50304](#) [HVG-320-36AB](#) [HVG-320-54AB](#) [OT FIT 50/220-240/300 D L](#) [OT FIT 35/220-240/350 D CS L](#) [OT FIT 65/220-240/350 D CS L](#) [ELEMENT 30/220-240/700 S](#) [LC 75W 100-400MA 1-10V LP EXC](#) [LCA 35W 150-700MA ONE4ALL LP PRE](#) [LCA 50W 100-400MA ONE4ALL LP PRE](#) [LCA 50W 350-1050MA ONE4ALL LP PRE](#) [LCA 50W 350-1050MA 2XCH LP PRE](#) [LCI 150/325-1050/300 O4A SL PRE](#) [LCA 75W 100-400MA ONE4ALL LP PRE](#) [LCA 45W 500-1400MA ONE4ALL SC PRE](#) [LC 50W 100-400MA FLEXC LP EXC](#) [LCA 75W 350-1050MA ONE4ALL LP PRE](#) [LC 50W 350-1050MA FLEXC LP EXC](#) [LC 75W 350-1050MA FLEXC LP EXC](#) [LCA 75W 900-1800MA ONE4ALL LP PRE](#)