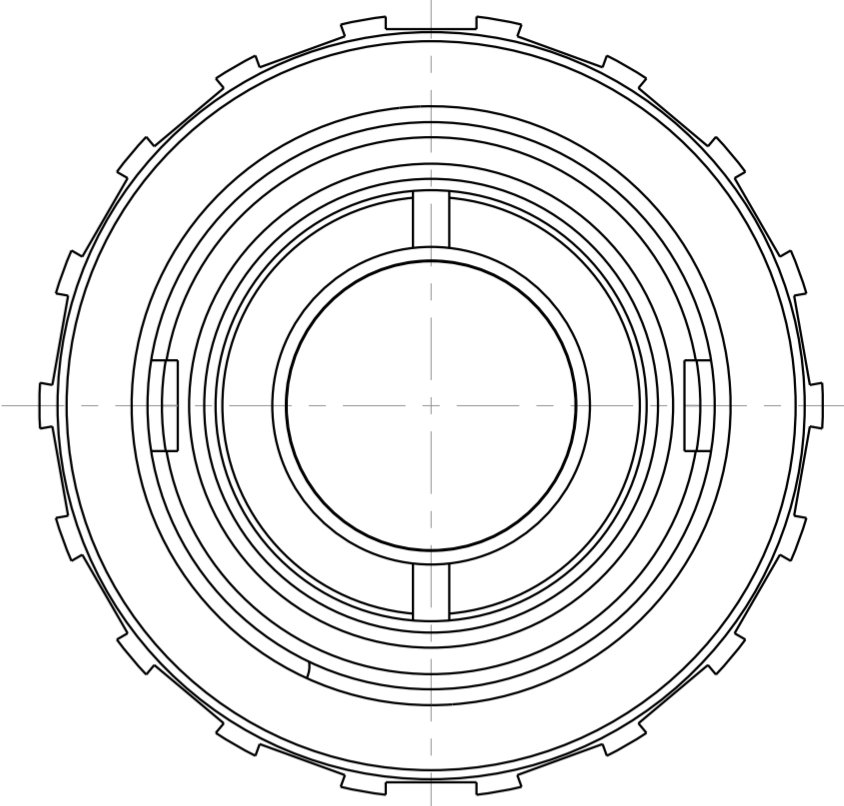
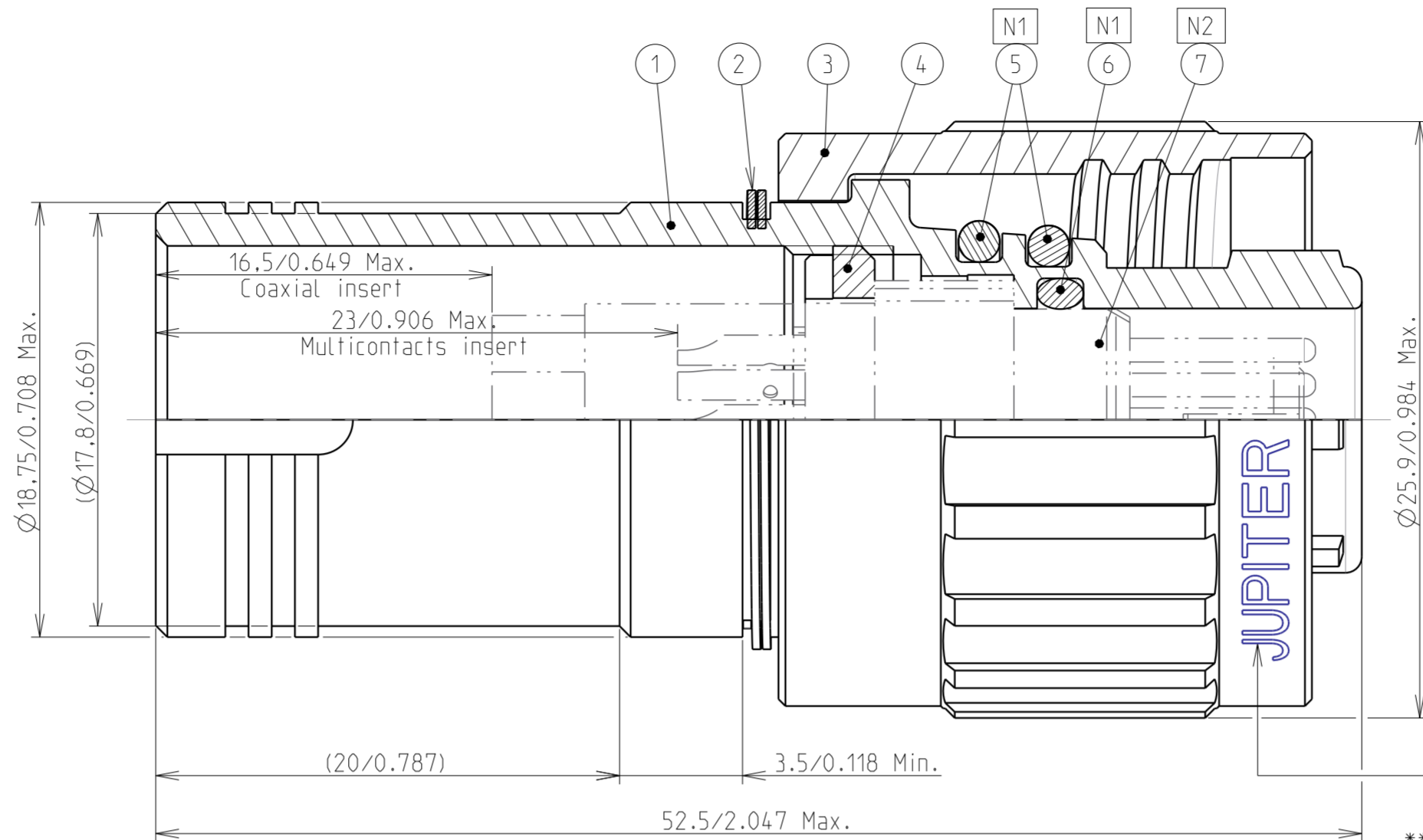
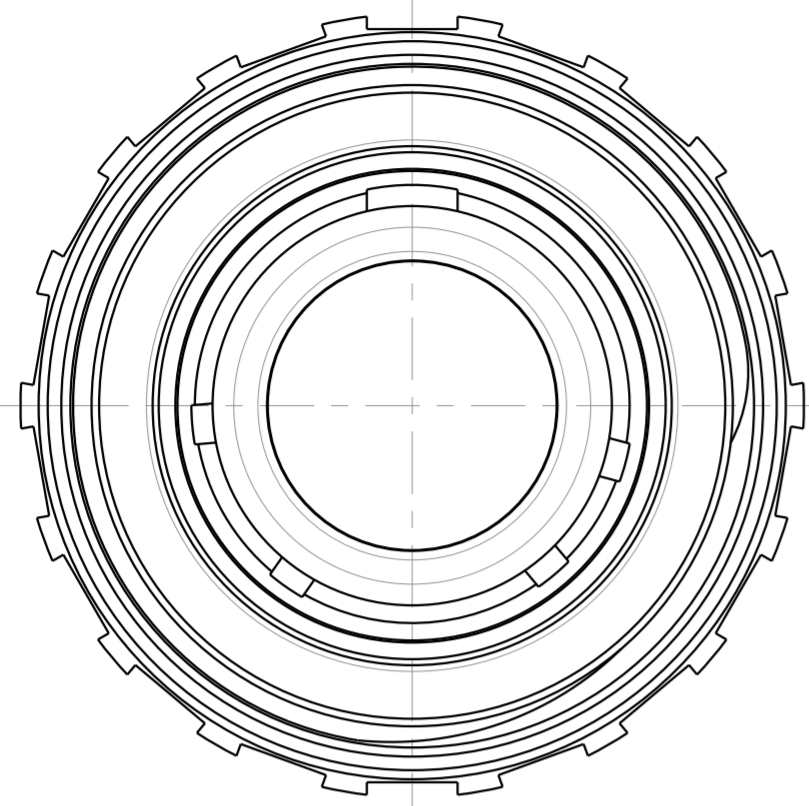


Country	Jurisdiction & Control List
FR	NOT LISTED

	critical dimension
	major dimension



MARQUAGE/MARKING

**** JUPITER FR FED10PLY
SEMAINE/WEEK
ANNEE/YEAR

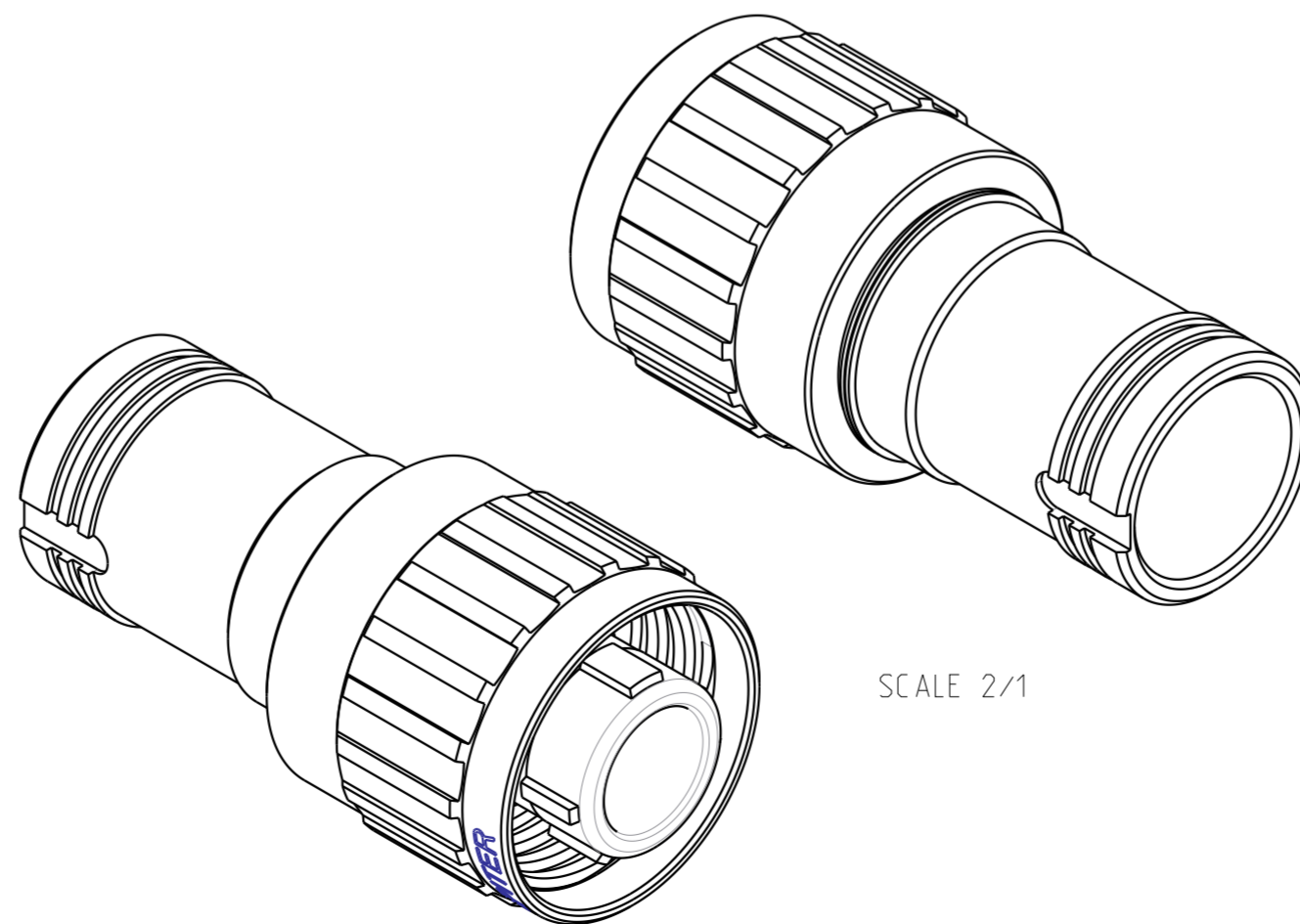
**REFERENCE COMMERCIALE
PART NUMBER**

CFE10PLY

7	ISOLANT / INSERT
6	JOINT TORIQUE ISOLANT / O'RING INSERT
5	JOINT TORIQUE ACCOUPLEMENT / O'RING COUPLING
4	BAGUE DE RETENUE / RETAINING RING
3	DOUILLE D'ACCOUPLEMENT / COUPLING RING
2	CIRCLIPS / RETAINING CLIP
1	FICHE DROITE FED / STRAIGHT PLUG FED
REP	DESIGNATION

N1 : MONTAGE AVEC GRAISSE
MOUNTING WITH GREASE

N2 : ISOLANT HORS FOURNITURE
INSERT NOT SUPPLIED



A	05/09/16	Initial drawing	ORAIN	MEFFRE	DIFF
Iss	Date	MODIFICATIONS	Designed by	Checked by	MOD N°
MATERIAL --		TREATMENT	PROTECTION/PLATING		
--		--	--		
--		--	CODE --		
DIMENSIONS ARE DEFINED BEFORE PLATING					
TITLE	FICHE DROITE FED SA / STRAIGHT PLUG FED SA TYPE				PROJECT
	SERIE PL - TAILLE 10				PL54
Material Reference Voir Référence Commerciale / See Part Number					
Generales tolerances ISO 2768		SOURIAU			
Scale 4/1	General machining Surface texture	3. RUE DU VALLON ZAC N°2 94440 MAROLLES-EN-BRIE (FRANCE) TEL. 33 (0)1 45 10 78 00			
Geometrical Tolerances: NF EN ISO 1101		FORMAT	SOURIAU DRG N°	Iss	SHEET
This document is the property of SOURIAU it must not be reproduced or communicated without permission.		A2	542F0130A8C	A	1/1

X-ON Electronics

Largest Supplier of Electrical and Electronic Components

Click to view similar products for [Standard Circular Connector](#) category:

Click to view products by [Sunbank](#) manufacturer:

Other Similar products are found below :

[5M2530B10P](#) [600259N006](#) [600273N007](#) [6134-336-13149](#) [6134-337-11149](#) [6134-337-2390](#) [6134-341-17149](#) [6280-4SG-516](#) [6280-7SG-3DC](#)
[6290](#) [6291A](#) [66200A-10](#) [680-SMG](#) [681-PMG](#) [CXS3102A14S2P](#) [CXS3102A181S](#) [7251-5SG-300](#) [7271-6SG-300](#) [7282-3PG-300-CH3](#) [75-](#)
[474618-01S](#) [75-474618-04P](#) [75-474618-04S](#) [799539-000](#) [MI8-SE](#) [805-005-07NF11-19PC](#) [805-005-07NF15-7PA](#) [8280-4PG-516](#) [8280-7PG-](#)
[519](#) [8282-5PG-519](#) [836783-1](#) [MP-4102-25P-C](#) [862256-1](#) [864019-2](#) [866857-1](#) [867865-1](#) [PT01SP-14-18P](#) [PT08P-14-5S](#) [PTSF06SE-14-12S](#)
[120-1833-000](#) [QCM019PC2DC012B](#) [1-2069279-1](#) [121583-0217](#) [121667-0020](#) [129591AU](#) [1000B BULK](#) [RD10A16-19-P6CS051/1](#)
[RD10A20-31-P8CS051/1](#) [RD16A14-12-S6CS051/2](#) [1301240290](#) [1301240347](#) [1301860202](#)