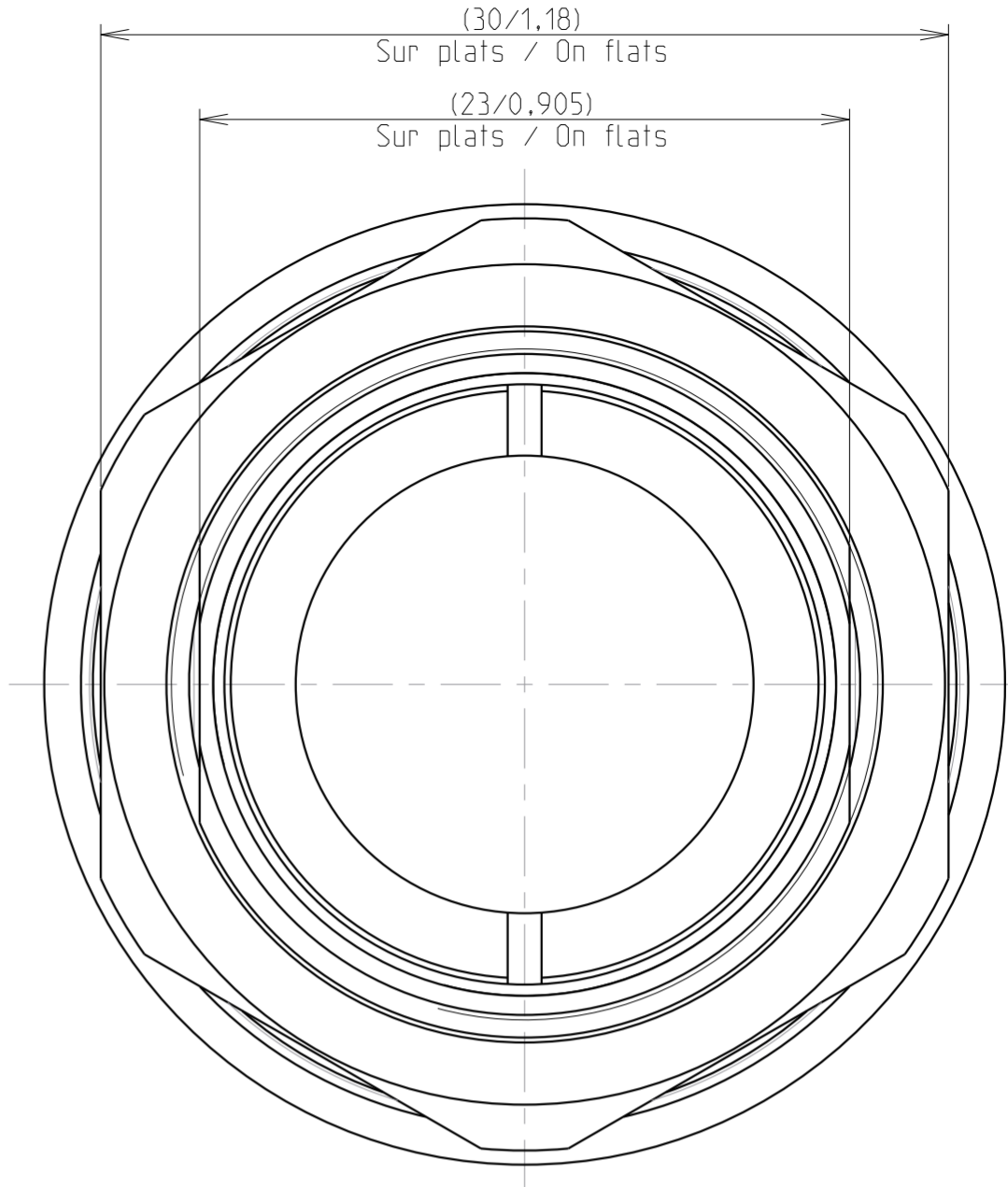
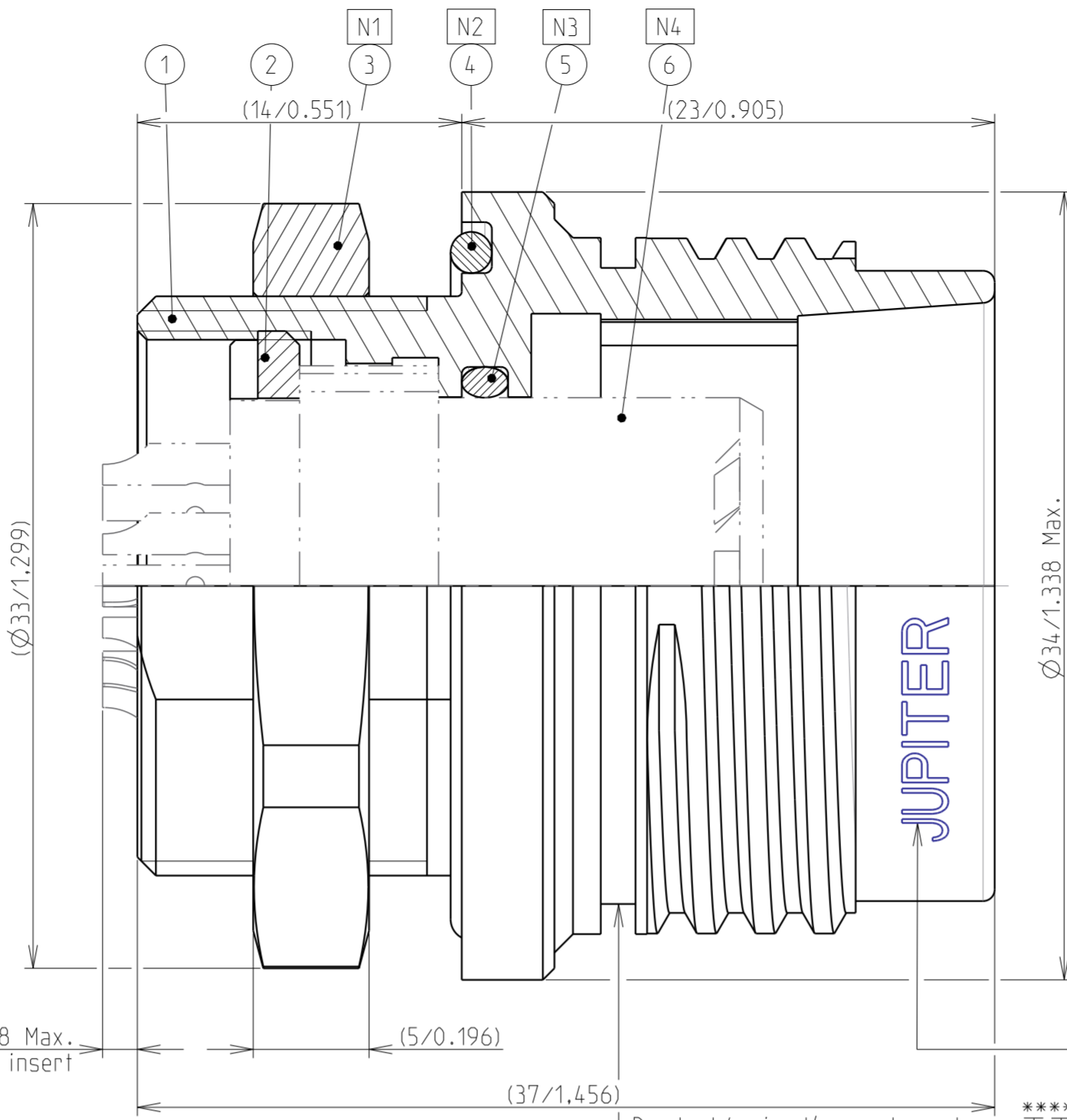
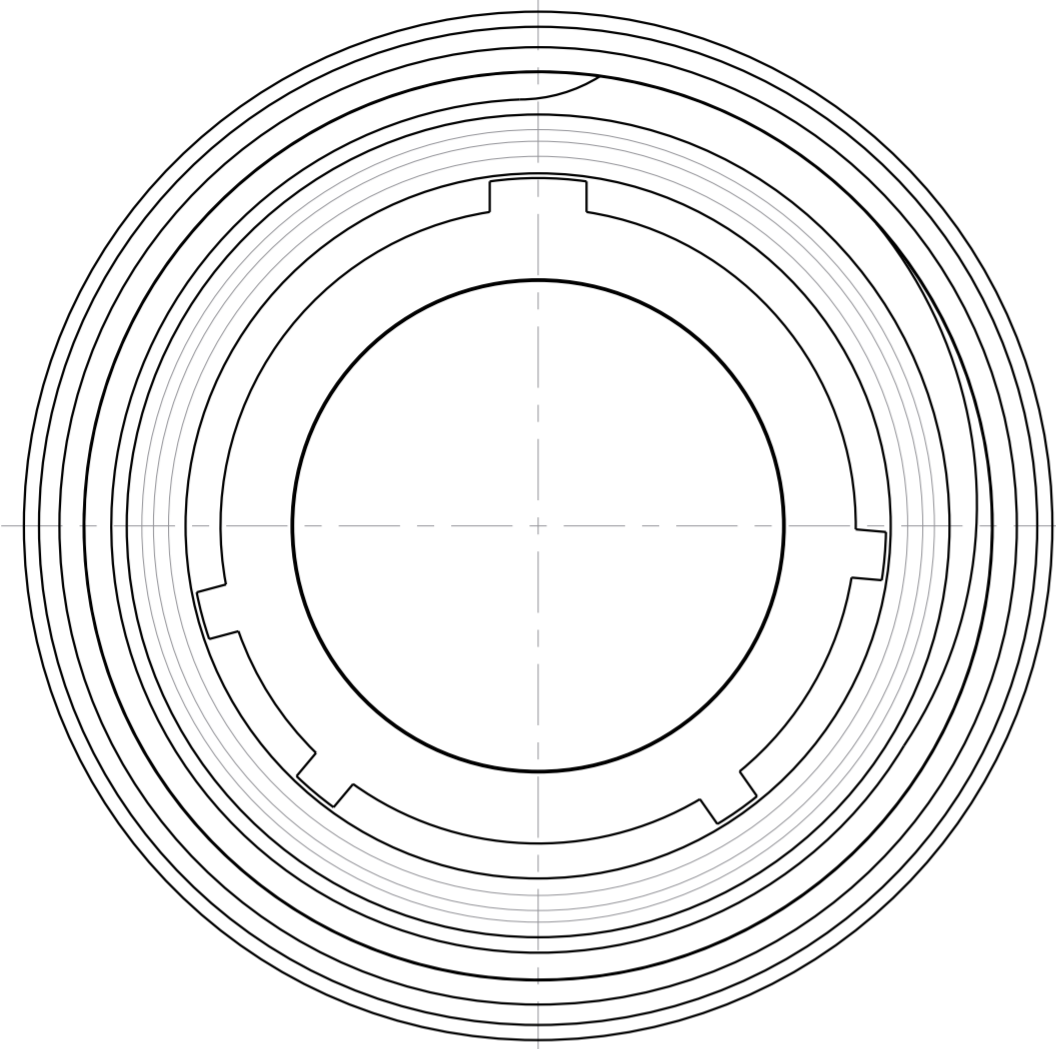


Country	Jurisdiction & Control List
FR	NOT LISTED

	critical dimension
	major dimension



N1 : SERRAGE SUR PANNEAU COUPLE 5.5 N.m
TIGHTENING ON PANEL TORQUE 5.5 N.m

N2 : MONTAGE SANS GRAISSE
MOUNTING WITHOUT GREASE

N3 : MONTAGE AVEC GRAISSE
MOUNTING WITH GREASE

N4 : ISOLANT HORS FOURNITURE
INSERT NOT SUPPLIED

2.5/0.098 Max.
Multicontacts insert

(5/0.196)

(37/1.456)

MARQUAGE/MARKING

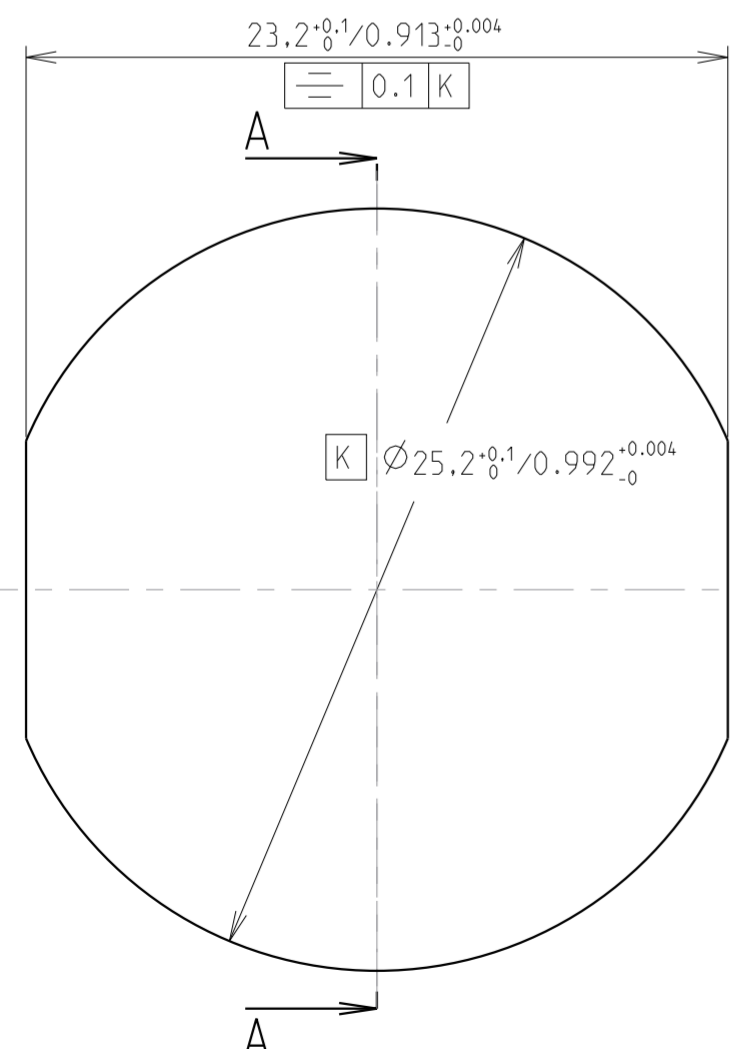
**** JUPITER FR RER14PLY
SEMAINE/WEEK
ANNEE/YEAR

Bande témoin d'accouplement
Mating witness marking

**REFERENCE COMMERCIALE
PART NUMBER**

CRER14PLY

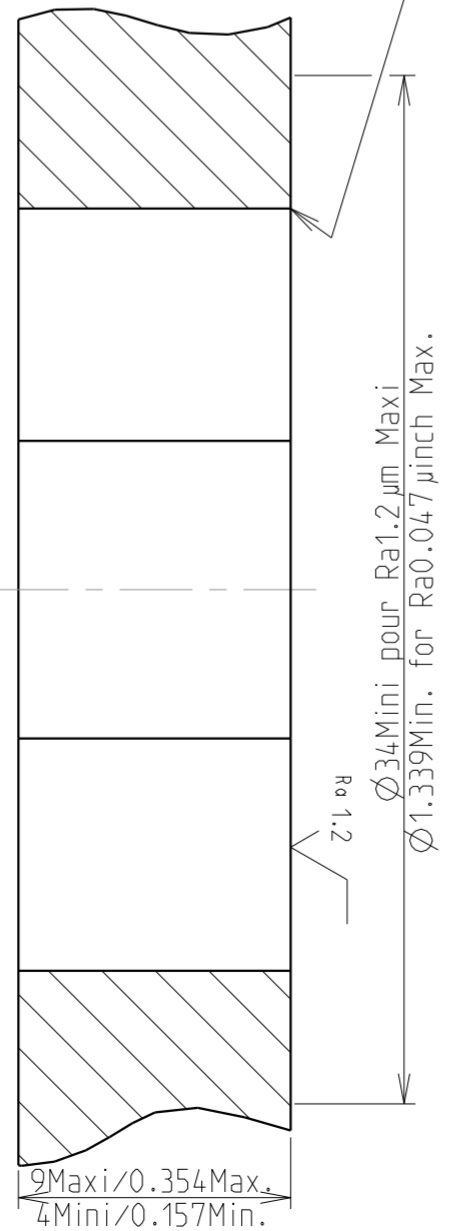
6	ISOLANT / INSERT
5	JOINT TORIQUE ISOLANT / O-RING INSERT
4	JOINT TORIQUE PANNEAU / O-RING PANEL
3	ECROU DE FIXATION / JAM NUT
2	BAGUE DE RETENUE / RETAINING RING
1	EMBASE RER / RECEPTACLE RER
REP	DESIGNATION



DECOUPE DU PANNEAU
PANEL CUT OUT

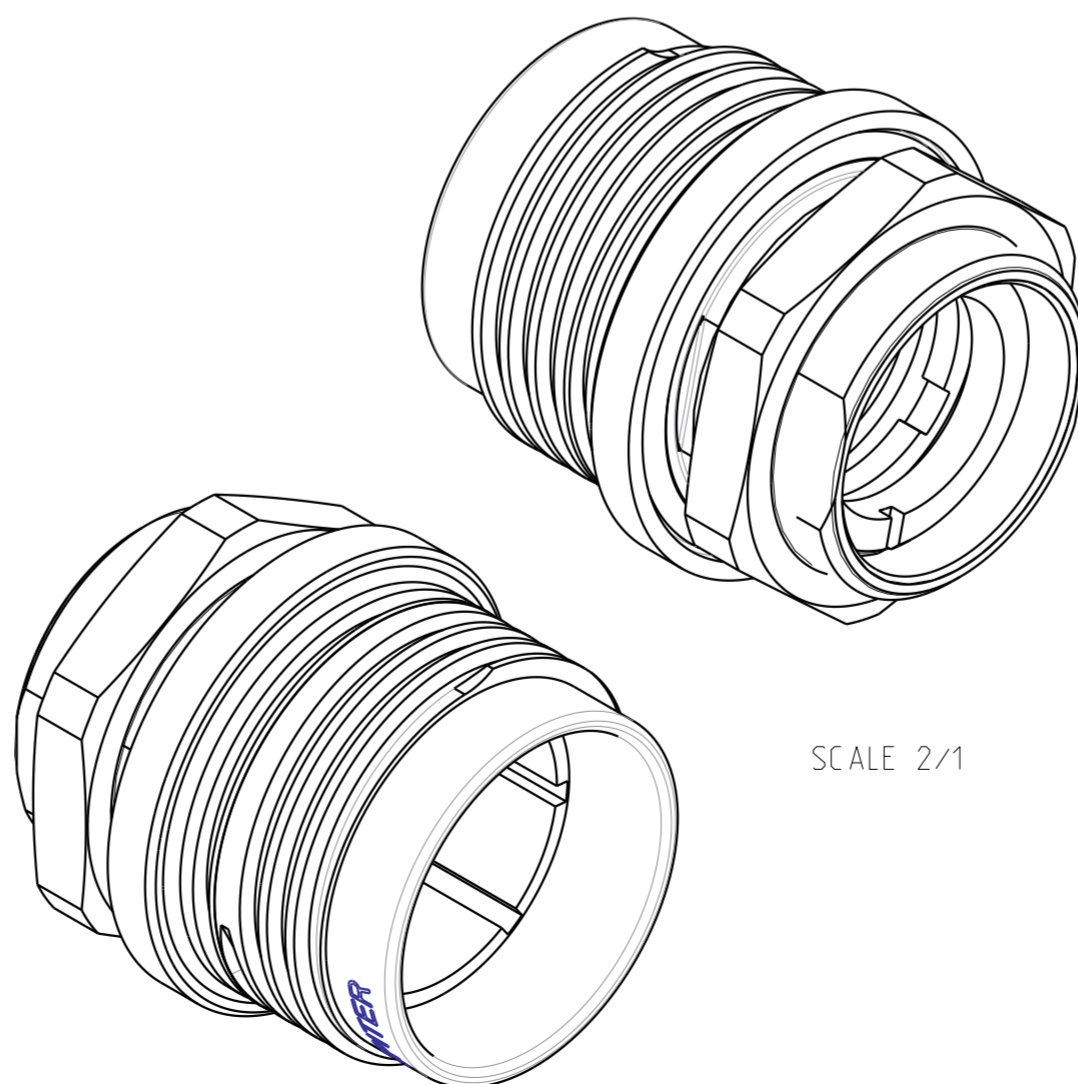
SCALE 4/1

CUT A-A



Cassage d'angle 0.2 Maxi
Breaking edge 0.008in Max.

Ø34Mini pour Ra1.2µm Maxi
Ø1.339Min. for Ra0.047µinch Max.



SCALE 2/1

A	05/09/16	Initial drawing	ORAIN	MEFFRE	DIFF
Iss	Date	MODIFICATIONS	AC Naf.	Designed by	Checked by
MATERIAL --		TREATMENT	PROTECTION/PLATING		
--		--	--		
--		--	CODE --		
DIMENSIONS ARE DEFINED BEFORE PLATING					
TITLE		EMBASE RER / RECEPTACLE RER			PROJECT
		SERIE PL - TAILLE 14			PL54
Material Reference Voir Référence Commerciale / See Part Number					
		Generales tolerances ISO 2768		SOURIAU	
Scale 4/1		General machining Surface texture		SOURIAU 3. RUE DU VALLON ZAC N°2 94440 MAROLLES-EN-BRIE (FRANCE) TEL. 33 (0)1 45 10 78 00	
Geometrical Tolerances: NF EN ISO 1101		This document is the property of SOURIAU it must not be reproduced or communicated without permission.		FORMAT	SOURIAU DRG N°
				A2	543E0030A8C
				Iss	SHEET
				A	1/1

X-ON Electronics

Largest Supplier of Electrical and Electronic Components

Click to view similar products for [Standard Circular Connector](#) category:

Click to view products by [Sunbank](#) manufacturer:

Other Similar products are found below :

[5M2530B10P](#) [600259N006](#) [600273N007](#) [6134-336-13149](#) [6134-337-11149](#) [6134-337-2390](#) [6134-341-17149](#) [6280-4SG-516](#) [6280-7SG-3DC](#)
[6290](#) [6291A](#) [66200A-10](#) [680-SMG](#) [681-PMG](#) [CXS3102A14S2P](#) [CXS3102A181S](#) [7271-6SG-300](#) [7282-3PG-300-CH3](#) [75-474014-05S](#) [75-](#)
[474618-01S](#) [75-474618-04P](#) [75-474618-04S](#) [799539-000](#) [MI8-SE](#) [805-005-07NF11-19PC](#) [805-005-07NF15-7PA](#) [8280-4PG-516](#) [8280-7PG-](#)
[519](#) [8282-5PG-519](#) [836783-1](#) [MP-4102-25P-C](#) [862256-1](#) [864019-2](#) [866857-1](#) [867865-1](#) [PT01SP-14-18P](#) [PT08P-14-5S](#) [120-1833-000](#)
[QCM019PC2DC012B](#) [1-2069279-1](#) [121583-0217](#) [121667-0020](#) [129591AU](#) [1000B BULK](#) [RD10A16-19-P6CS051/1](#) [RD10A20-31-](#)
[P8CS051/1](#) [RD16A14-12-S6CS051/2](#) [1301240290](#) [1301240347](#) [1301860202](#) [1301240268](#)