

MASS (g)	VOLUME (mm ³)
14.5	2910

ELECTRICAL:

EMI SHIELDING : SHIELDED FOR THE RANGE 55dB UP TO 100MHZ

INSULATION RESISTANCE : >500MΩ PER ANSI-EIA-364-D METHOD 21

MAX. CURRENT RATING : SEE INSULATOR DRAWING

CONNECTOR TESTING : SEE INSULATOR DRAWING

VOLTAGE

CONNECTOR WORKING : SEE INSULATOR DRAWING

VOLTAGE

ENVIRONMENTAL:

ENDURANCE: 1000 CYCLES AS PER MIL-STD 1344A, METHOD 2016.1

SHOCK: 50 g , DURATION 6 ms; AS PER MIL-STD 1344A, METHOD 2004.1

VIBRATIONS: 10 TO 2000Hz g = 20g, AS PER MIL-STD 1344A, METHOD 2005.1

PROTECTION INDEX: IP 40 AS PER IEC 529

ROHS COMPLIANT

SALT MIST : 48Hr PER SAE AS 1344 METHOD 1001.1 CEI 529

OPERATING TEMPERATURE: -55°C TO +125°C (-67°F TO +257°F)

NOTES:

MATERIAL:

OUTER SHELL & PANEL NUT : BRASS

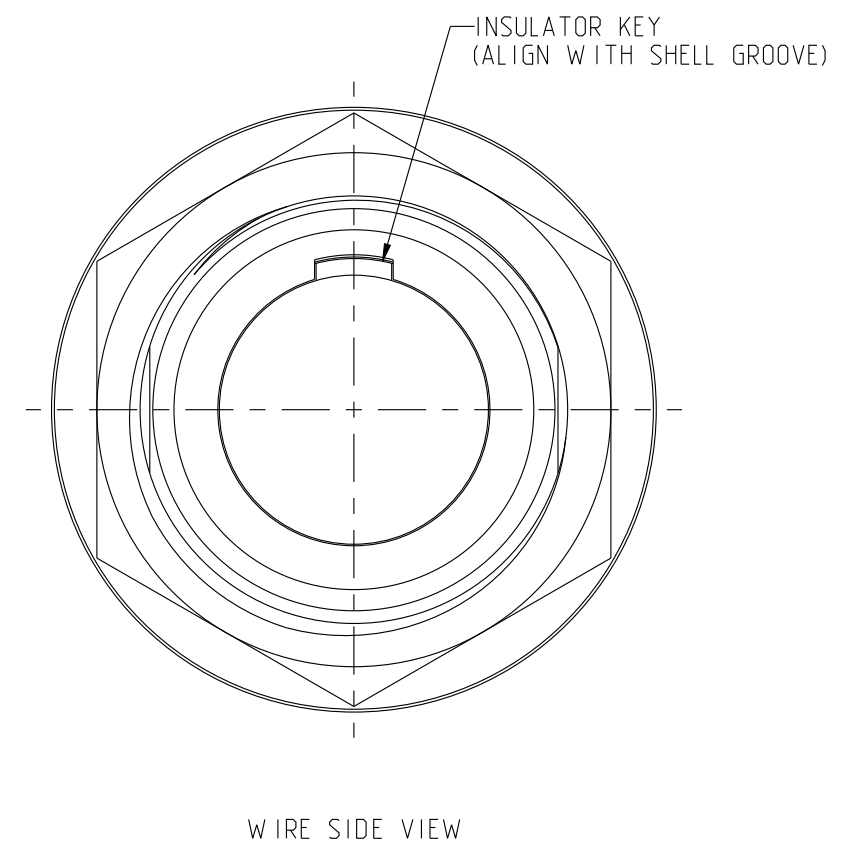
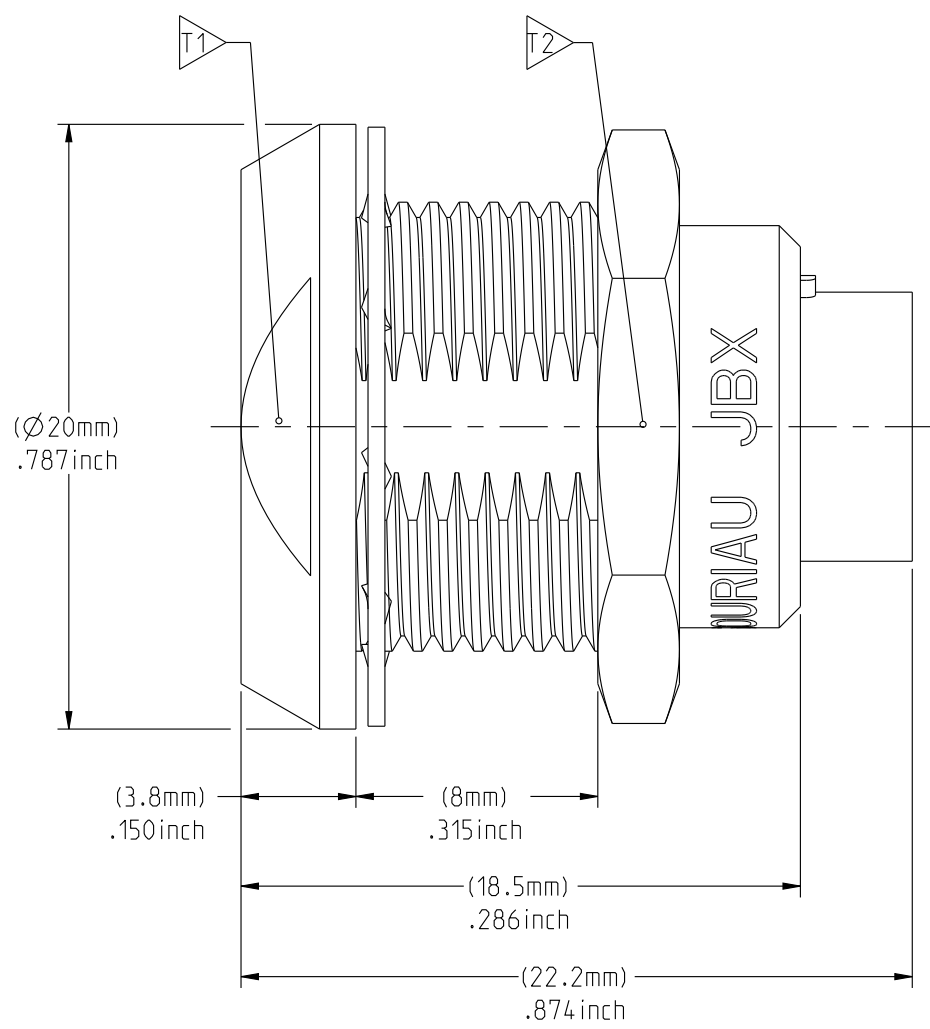
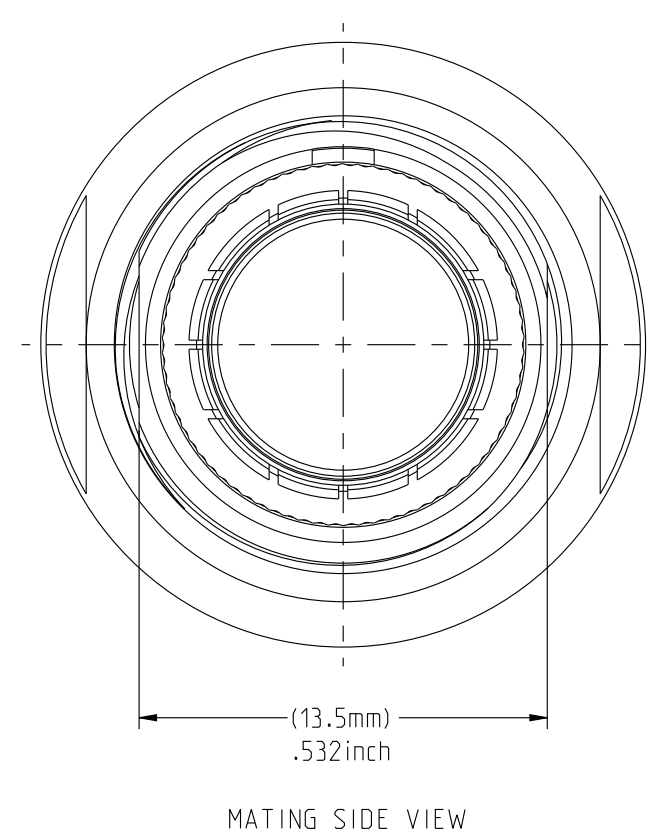
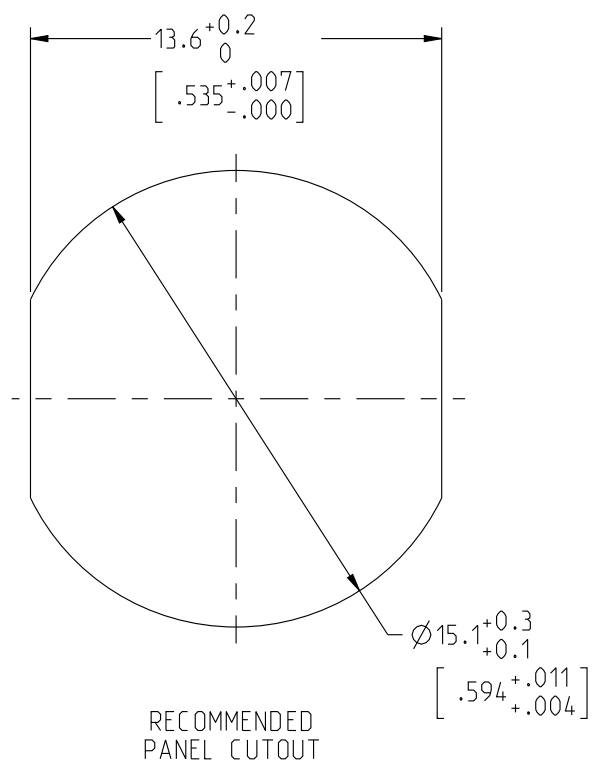
SHIELD RING & NUT :

FINISH:

OUTER SHELL & PANEL NUT : CHROME

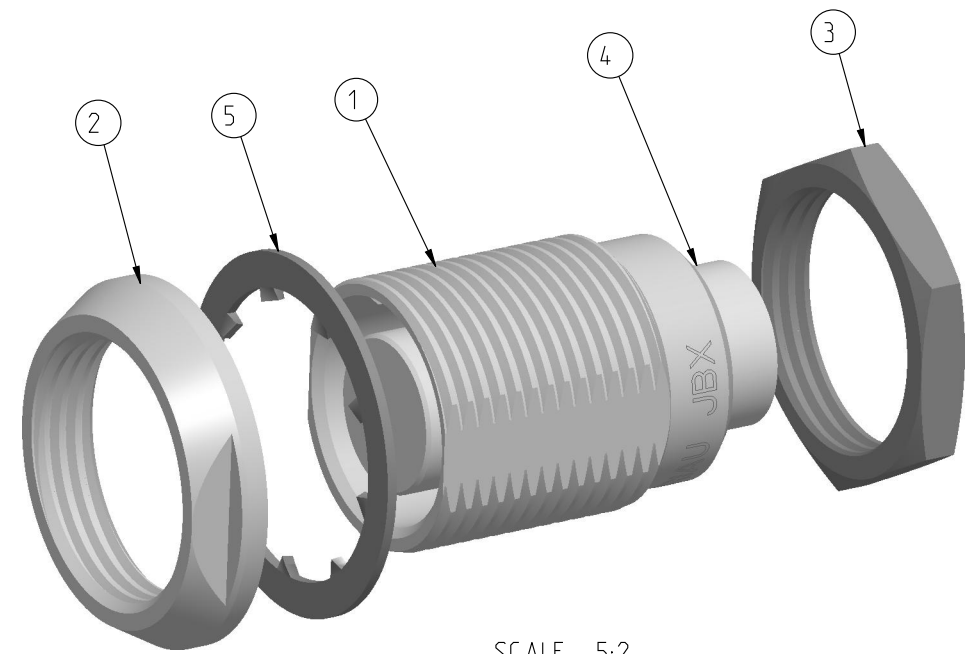
OTHER BRASS PARTS : NICKEL

TOOLS



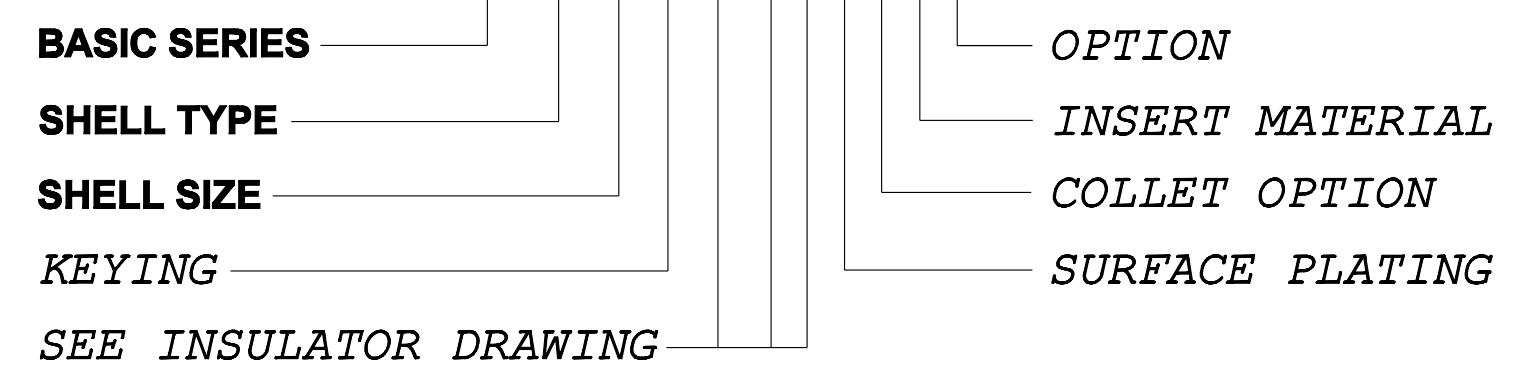
PART LIST	
ITEM NO.	DESCRIPTION
1	SHELL
2	PANEL NUT
3	HEX NUT
4	INSULATOR
5	LOCK WASHER

	TOOLS (JAW DIMENSION)	ADVISED TORQUE IN Nm
T1	17	1.7
T2	17	1.7



CATALOG NUMBER DESCRIPTION

JBX EA 2 XXXXXDX -



DRAWING TITLE
JBX EA 2, DOUBLE NUT RECEPTACLE

CAT NO. **JBXEA2**

CAGE NO: 09922 SIZE: C

CUSTOMER

SOURIAU
WWW.SOURIAU.COM

APPROVAL
DRAWN: TJS 01-07-15
CHKD : EV 01-07-15
DSGN : EV 01-07-15
MFG : DH 01-07-15
QC : BB 01-07-15
DRAWING SCALE: 4:1
DRAWING NO. REV
JBXEA2C A

1 OF 1

LINEAR MEASURE: $\frac{mm}{INCH}$ mm (INCH)

THIRD ANGLE PROJECTION

TOLERANCES UNLESS OTHERWISE SPECIFIED

No. OF PLACES	mm [INCH]
WHOLE No.	±0.5 [±.02]
ONE PLACE	±0.2 [±.008]
TWO PLACES	±0.1 [±.004]

ANGLES ±1°

THE INFORMATION CONTAINED IN THIS DRAWING IS CONFIDENTIAL AND MAY NOT BE DISCLOSED WITHOUT WRITTEN CONSENT FROM SOURIAU USA, INC.

THIS DRAWING IS A CONTROLLED DOCUMENT FOR SOURIAU USA, INC. IT IS SUBJECT TO CHANGE WITHOUT NOTIFICATION. CONTACT THE DOCUMENT CONTROL CENTER FOR THE LATEST REVISION.

THIS DRAWING IS A CONTROLLED DOCUMENT FOR SOURIAU USA, INC. IT IS SUBJECT TO CHANGE WITHOUT NOTICE. CONTACT THE DOCUMENT CONTROL CENTER FOR THE LATEST REVISION.

THE INFORMATION CONTAINED IN THIS DRAWING IS CONFIDENTIAL AND MAY NOT BE DISCLOSED WITHOUT WRITTEN CONSENT FROM SOURIAU USA, INC.

2

1

DWG. NO. JBX2INSFSC	FEMALE INSULATOR, SOLDER CONTACT					
CONTACT LAYOUT	02	03	04	05		
FRONT SIDE VIEW						
REAR SIDE VIEW						
CONTACT						
ISO VIEW						
CONTACT	ØC 2	ØC 1.6	ØC 1.3	ØC 1.3		
	ØF 1.9	ØF 1.5	ØF 1.1	ØF 1.1		
	MAX. AWG 16	MAX. AWG 18	MAX. AWG 20	MAX. AWG 20		
	MAX. CURRENT RATING (A) 30	MAX. CURRENT RATING (A) 17	MAX. CURRENT RATING (A) 15	MAX. CURRENT RATING (A) 15		
	CONTACT RESISTANCE (mΩ) 2.5	CONTACT RESISTANCE (mΩ) 2.5	CONTACT RESISTANCE (mΩ) 3	CONTACT RESISTANCE (mΩ) 3		
INSULATOR	NUMBER OF CAVITY 2	NUMBER OF CAVITY 3	NUMBER OF CAVITY 4	NUMBER OF CAVITY 5		
	MAX. CURRENT RATING 30	MAX. CURRENT RATING 17	MAX. CURRENT RATING 15	MAX. CURRENT RATING 14		
	TEST VOLTAGE (Vrms) 2100	TEST VOLTAGE (Vrms) 1700	TEST VOLTAGE (Vrms) 2400	TEST VOLTAGE (Vrms) 1900		
	WORKING VOLTAGE (Vdc/Vrms) 1000/700	WORKING VOLTAGE (Vdc/Vrms) 830/560	WORKING VOLTAGE (Vdc/Vrms) 1000/700	WORKING VOLTAGE (Vdc/Vrms) 900/630		

CONTACT TYPE : F (FEMALE)
CONTACT TERMINATION : S (SOLDER)

MATERIAL :
 CONTACT: CUPRO-NICKEL
 CLIP: COPPER ALLOY
 INSULATOR: PEEK
 FINISH: GOLD
 CONTACTS : GOLD

CATALOG NUMBER DESCRIPTION

JBXXX 2 X YY F S XXXX

BASIC SERIES ——— **OPTION**
SHELL TYPE ——— **INSERT MATERIAL**
SHELL SIZE ——— **COLLET OPTION**
KEYING ——— **SURFACE PLATING**
CONTACT LAYOUT ——— **CONTACT TERMINATION**
————— **CONTACT TYPE**

REV	DESCRIPTION	BY	DATE	CHKD	DATE
B	REVISED PER ECN 12286	RSK	06-10-15	EV	06-10-15
A	RELEASED PER ECN 12264	TJS	03-10-15	EV	03-10-15

DRAWING TITLE
JBX, SIZE 2, FEMALE INSULATOR, SOLDER CONTACT

CAT. NO. **JBX2INSFS**

CAGE NO: 09922	SIZE: B
----------------	---------

CUSTOMER	SOURIAU
WWW.SOURIAU.COM	1 OF 3

LINEAR MEASURE: mm (INCH)

THIRD ANGLE PROJECTION

TOLERANCES UNLESS OTHERWISE SPECIFIED

No. OF PLACES	mm [INCH]
ONE PLACE	±3 [±.1]
TWO PLACES	±0.5 [±.02]
THREE PLACES	±0.25 [±.010]
ANGLES ±1°	

INTERPRET THIS DRAWING IN ACCORDANCE WITH ASME Y14.5M - 1994.

B

A

2

1

PRO-E

THIS DRAWING IS A CONTROLLED DOCUMENT FOR SOURIAU USA, INC. IT IS SUBJECT TO CHANGE WITHOUT NOTICE. CONTACT THE DOCUMENT CONTROL CENTER FOR THE LATEST REVISION.

THE INFORMATION CONTAINED IN THIS DRAWING IS CONFIDENTIAL AND MAY NOT BE DISCLOSED WITHOUT WRITTEN CONSENT FROM SOURIAU USA, INC.

2

1

DWG. NO.
JBX2INSFSC

CONTACT LAYOUT	06	07	08	10	
FRONT SIDE VIEW					
REAR SIDE VIEW					
CONTACT					
ISO VIEW					
CONTACT	ØC	1.3	1.3	0.9	0.9
	ØF	1.1	1.1	0.8	0.8
	MAX. AWG	20	20	24	24
	MAX. CURRENT RATING (A)	15	15	10	10
	CONTACT RESISTANCE (mΩ)	3	3	3.5	3.5
INSULATOR	NUMBER OF CAVITY	6	7	8	10
	MAX. CURRENT RATING	12	11	10	8
	TEST VOLTAGE (Vrms)	1900	1500	1700	1700
	WORKING VOLTAGE (Vdc/Vrms)	900/630	730/500	830/560	830/560

DRAWING TITLE
JBX, SIZE 2, FEMALE INSULATOR, SOLDER CONTACT

CAT. NO. **JBX2INSFS**

CAGE NO: 09922 SIZE: B

CUSTOMER

SOURIAU
WWW.SOURIAU.COM

APPROVAL	DRAWN: TJS	02-04-15
	CHKD : EV	02-04-15
	DSGN : EV	02-04-15
	MFG : DH	02-04-15
	QC : BB	02-04-15
DRAWING SCALE: NA		
DRAWING NO. REV		
JBX2INSFSC		B
2 OF 3		

INTERPRET THIS DRAWING IN ACCORDANCE WITH ASME Y14.5M - 1994.

B

A

2

1

PRO-E

THIS DRAWING IS A CONTROLLED DOCUMENT FOR SOURIAU USA, INC. IT IS SUBJECT TO CHANGE WITHOUT NOTICE. CONTACT THE DOCUMENT CONTROL CENTER FOR THE LATEST REVISION.

THE INFORMATION CONTAINED IN THIS DRAWING IS CONFIDENTIAL AND MAY NOT BE DISCLOSED WITHOUT WRITTEN CONSENT FROM SOURIAU USA, INC.

2

1

DWG. NO. JBX2INSFSC					
CONTACT LAYOUT	12	16	18	19	
FRONT SIDE VIEW					
REAR SIDE VIEW					
CONTACT					
ISO VIEW					
CONTACT	ØC	0.7	0.7	0.7	0.7
	ØF	0.81	0.81	0.81	0.81
	MAX. AWG	22	22	22	22
	MAX. CURRENT RATING (A)	7	7	7	7
INSULATOR	CONTACT RESISTANCE (mΩ)	5	5	5	5
	NUMBER OF CAVITY	12	16	18	19
	MAX. CURRENT RATING	7	6	5.5	5
	TEST VOLTAGE (Vrms)	1700	1500	1400	1400
	WORKING VOLTAGE (Vdc/Vrms)	830/560	730/500	660/460	660/460
DRAWING TITLE JBX, SIZE 2, FEMALE INSULATOR, SOLDER CONTACT					
CAT. NO. JBX2INSFS					
		CAGE NO: 09922	SIZE: B		
CUSTOMER		SOURIAU			
		WWW.SOURIAU.COM			
INTERPRET THIS DRAWING IN ACCORDANCE WITH ASME Y14.5M - 1994.					
		DRAWN: TJS 02-04-15		CHKD : EV 02-04-15	
		DSGN : EV 02-04-15		MFG : DH 02-04-15	
		QC : BB 02-04-15		DRAWING SCALE: NA	
		DRAWING NO.		REV	
		JBX2INSFSC		B	
		3 OF 3			

B

A

2

1

PRO-E

X-ON Electronics

Largest Supplier of Electrical and Electronic Components

Click to view similar products for [Circular Push Pull Connectors](#) category:

Click to view products by [Sunbank](#) manufacturer:

Other Similar products are found below :

[6407-249V-11273P](#) [6408-201V-13273](#) [6408-202V-13343](#) [6408-202V-17343](#) [EZG.0B.309.CLN](#) [FFA.2S.310.ZLA](#) [FGA.1B.307.CYCD72Z](#)
[FGJ.1B.304.CLLD76](#) [FGJ.1B.306.CWLD72](#) [FGJ.3B.304.CYMD82Z](#) [FHG.1B.303.CY CZ](#) [PCS.01.250.DLLE24](#) [PHG.0K.305.CYMC40Z](#)
[PHG.1K.308.CLLK85](#) [PHG.2K.310.CYMC60Z](#) [PHG.2K.310.CYMC85Z](#) [PKG.M0.6BL.LZ](#) [PLC.M1.0SL.LA](#) [GMA.10.290.DN](#)
[GMA.3B.090.DA](#) [PRG.M0.6GL.LC52GZ](#) [PSA.1S.275.CTLC66](#) [ABF.1S.250.NTA](#) [D38999/26ZF11PA-LC](#) [133020F](#) [1331ER193MZ](#)
[1332M107MZ](#) [DTS26Z19-32JA-LC](#) [DTS26Z19-32SA](#) [DTS26Z19-32SA-LC](#) [EAJ.1B.306.CWA](#) [ECG.XB.312.CLL](#) [1589430-2](#)
[ELF.00.250.NTL](#) [BRR.2S.200.PZVG](#) [HR10A-P](#) [CAH.M34.SLL.C72GZ](#) [CAJ.M34.SLL.C72GZ](#) [300500](#) [EXG.0B.309.HLN](#)
[FFB.1S.250.CLAC27](#) [FGA.2B.306.CYCD92](#) [FGA.2B.306.CYCD92Z](#) [FGJ.3B.308.CLLD72Z](#) [FHG.1B.303.CYCD62](#) [FLC.00.250.CTAC27](#)
[FLC.00.250.CTAC31](#) [PCS.01.250.DLLE31](#) [PKA.M1.0TL.LG](#) [PKC.M0.7GL.NG](#)