

THIS DRAWING IS A CONTROLLED DOCUMENT FOR SOURIAU USA, INC. IT IS SUBJECT TO CHANGE WITHOUT NOTIFICATION. CONTACT THE DOCUMENT CONTROL CENTER FOR THE LATEST REVISION.

DWG. NO. **JBXEC2C**

MASS (g)	VOLUME (mm ³)
16.8	3181

ELECTRICAL:

EMI SHIELDING : SHIELDED FOR THE RANGE 55dB UP TO 100MHZ

INSULATION RESISTANCE : >500MΩ PER ANSI-EIA-364-D METHOD 21

MAX. CURRENT RATING : SEE INSULATOR DRAWING

CONNECTOR TESTING VOLTAGE : SEE INSULATOR DRAWING

CONNECTOR WORKING VOLTAGE : SEE INSULATOR DRAWING

ENVIRONMENTAL:

ENDURANCE: 1000 CYCLES AS PER MIL-STD 1344A, METHOD 2016.1

SHOCK: 50 g . DURATION 6 ms; AS PER MIL-STD 1344A, METHOD 2004.1

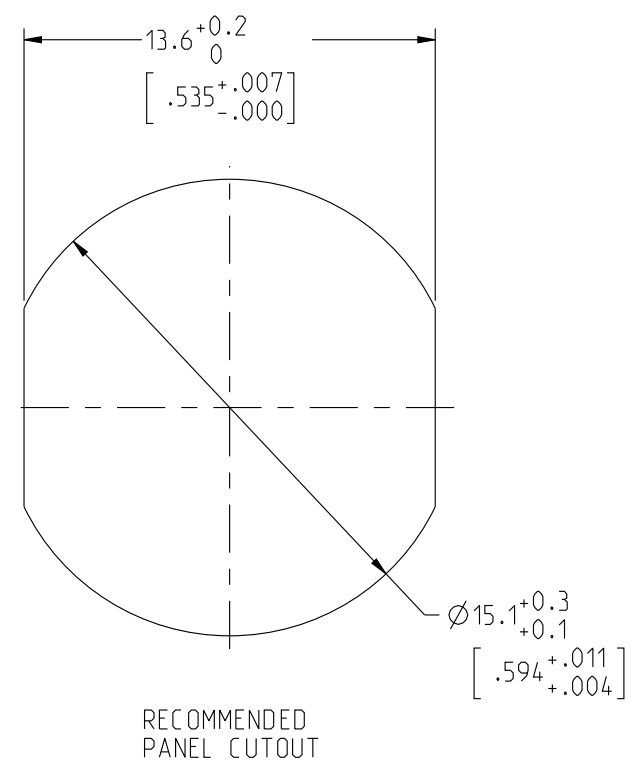
VIBRATIONS: 10 TO 2000Hz g = 15g, AS PER MIL-STD 1344A, METHOD 2005.1

PROTECTION INDEX: IP 67 AS PER CEI 529

ROHS COMPLIANT

SALT MIST : 48Hr PER SAE AS 1344 METHOD 1001.1 CEI 529

OPERATING TEMPERATURE: -40°C TO +80°C (-40°F TO +176°F)



NOTES:

MATERIAL:

OUTER SHELL & PANEL NUT : } BRASS

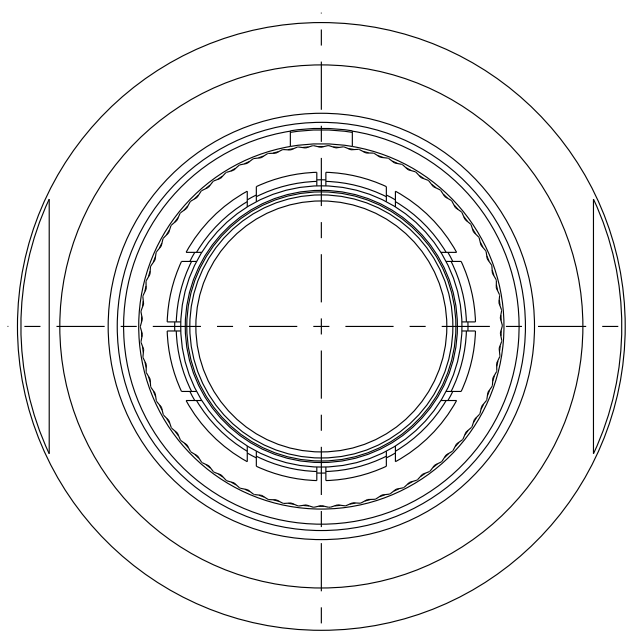
SHIELD RING & NUT: }

FINISH:

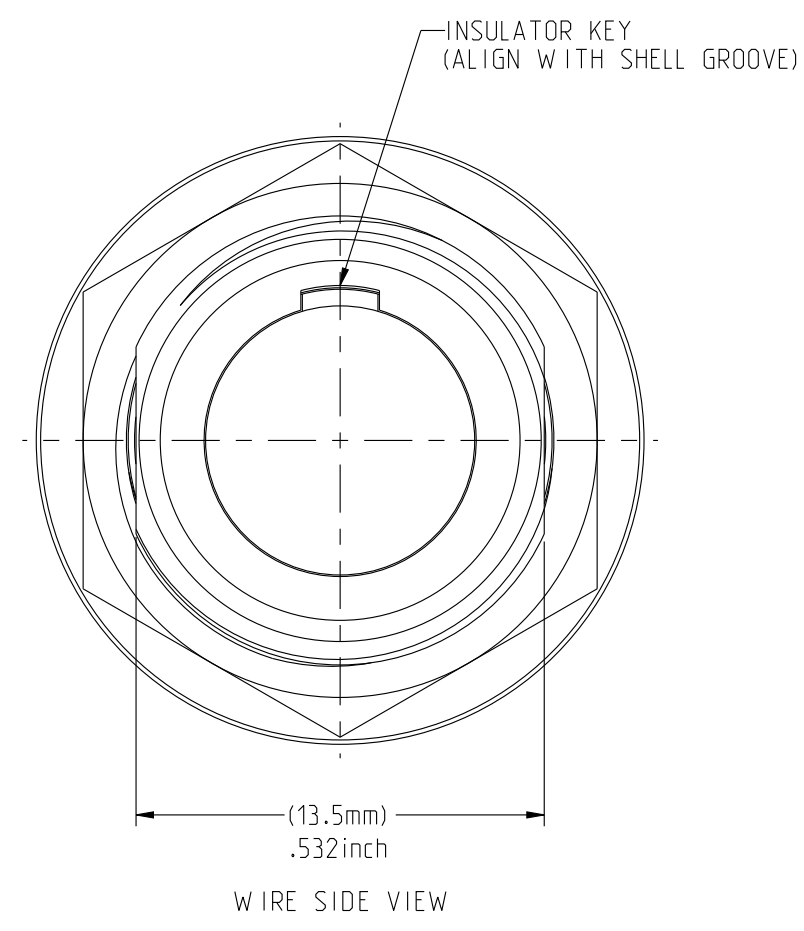
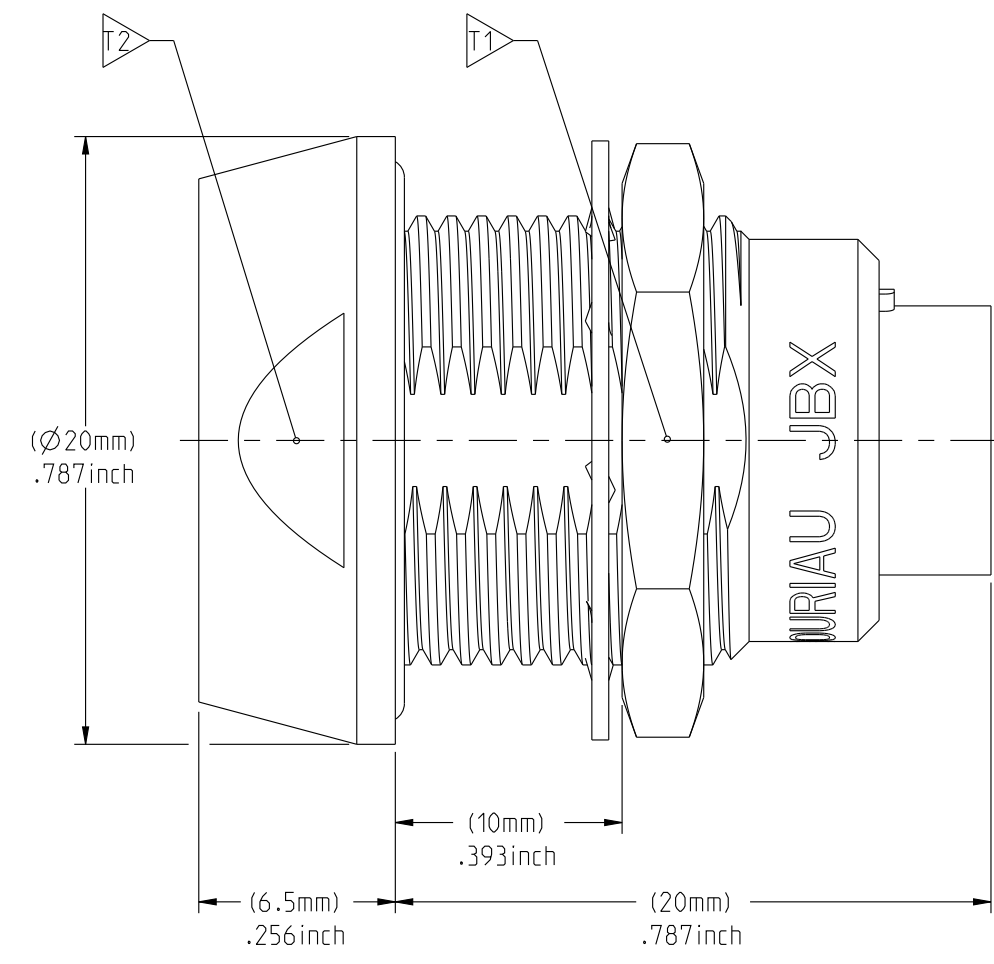
OUTER SHELL: CHROME

OTHER BRASS PARTS : NICKEL

TOOLS

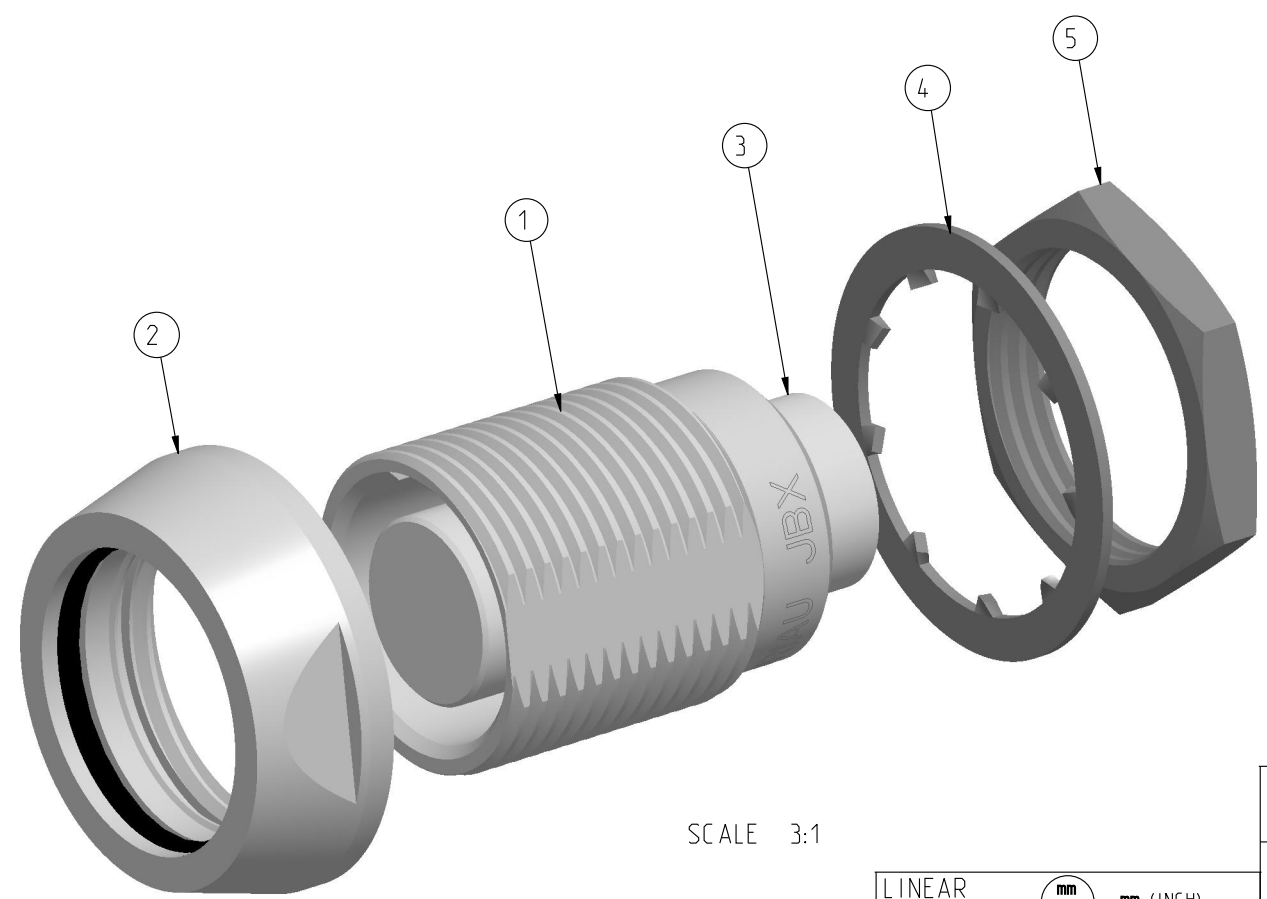


MATING SIDE VIEW



WIRE SIDE VIEW

PART LIST	
ITEM NO.	DESCRIPTION
1	SHELL
2	PANEL NUT
3	INSULATOR
4	LOCK WASHER
5	HEX NUT

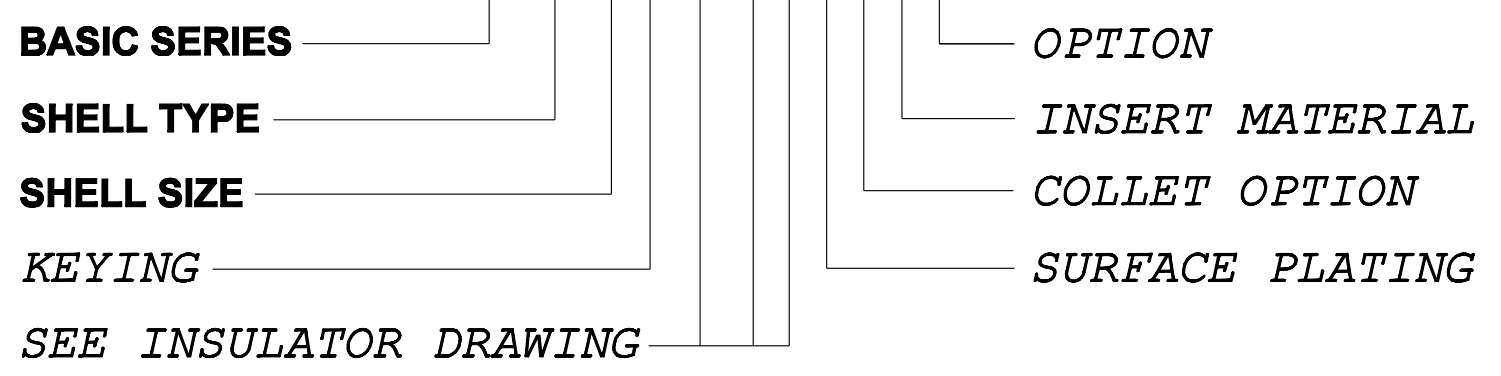


SCALE 3:1

	TOOLS (JAW DIMENSION)	ADVISED TORQUE IN Nm
T1	17	1.7
T2	18	1.7

CATALOG NUMBER DESCRIPTION

JBX EC 2 XXXXXDX -



LINEAR MEASURE:	mm (INCH)
THIRD ANGLE PROJECTION	
TOLERANCES UNLESS OTHERWISE SPECIFIED	
No. OF PLACES	mm [INCH]
WHOLE No.	±0.5 [±.02]
ONE PLACE	±0.2 [±.008]
TWO PLACES	±0.1 [±.004]
ANGLES ±1°	

DRAWING TITLE
JBX, SIZE 2, SEALED DOUBLE NUT PANEL RECEPTACLE

CAT NO. **JBXEC2**

CAGE NO: 09922 SIZE: C

CUSTOMER

SOURIAU

www.souriau.com

1 OF 1

APPROVAL	DRAWN: SKV	01-27-15
	CHKD : EV	01-27-15
	DSGN : EV	01-27-15
	MFG : DH	01-27-15
	QC : BB	01-27-15
	DRAWING SCALE: 4:1	
	DRAWING NO.	REV
	JBXEC2C	A

INTERPRET THIS DRAWING IN ACCORDANCE WITH ASME Y14.5M - 1994.

THE INFORMATION CONTAINED IN THIS DRAWING IS CONFIDENTIAL AND MAY NOT BE DISCLOSED WITHOUT WRITTEN CONSENT FROM SOURIAU USA, INC.

THIS DRAWING IS A CONTROLLED DOCUMENT FOR SOURIAU USA, INC. IT IS SUBJECT TO CHANGE WITHOUT NOTICE. CONTACT THE DOCUMENT CONTROL CENTER FOR THE LATEST REVISION.

THE INFORMATION CONTAINED IN THIS DRAWING IS CONFIDENTIAL AND MAY NOT BE DISCLOSED WITHOUT WRITTEN CONSENT FROM SOURIAU USA, INC.

2

1

DWG. NO. JBX2INSFCC	FEMALE INSULATOR, CRIMP CONTACT																												
CONTACT LAYOUT	02	03	04	05																									
FRONT SIDE VIEW																													
REAR SIDE VIEW																													
CONTACT																													
ISO VIEW																													
CONTACT	<table border="1" style="width: 100%; border-collapse: collapse;"> <tr><td>ØC</td><td>2</td><td>1.6</td><td>1.3</td><td>1.3</td></tr> <tr><td>ØF</td><td>2.4</td><td>1.9</td><td>1.4</td><td>1.4</td></tr> <tr><td>MAX. AWG</td><td>12</td><td>14</td><td>18</td><td>18</td></tr> <tr><td>MAX. CURRENT RATING (A)</td><td>30</td><td>17</td><td>15</td><td>15</td></tr> <tr><td>CONTACT RESISTANCE (mΩ)</td><td>2.5</td><td>2.5</td><td>3</td><td>3</td></tr> </table>	ØC	2	1.6	1.3	1.3	ØF	2.4	1.9	1.4	1.4	MAX. AWG	12	14	18	18	MAX. CURRENT RATING (A)	30	17	15	15	CONTACT RESISTANCE (mΩ)	2.5	2.5	3	3			
ØC	2	1.6	1.3	1.3																									
ØF	2.4	1.9	1.4	1.4																									
MAX. AWG	12	14	18	18																									
MAX. CURRENT RATING (A)	30	17	15	15																									
CONTACT RESISTANCE (mΩ)	2.5	2.5	3	3																									
INSULATOR	<table border="1" style="width: 100%; border-collapse: collapse;"> <tr><td>NUMBER OF CAVITY</td><td>2</td><td>3</td><td>4</td><td>5</td></tr> <tr><td>MAX. CURRENT RATING</td><td>30</td><td>17</td><td>15</td><td>14</td></tr> <tr><td>TEST VOLTAGE (Vrms)</td><td>2100</td><td>1700</td><td>2400</td><td>1900</td></tr> <tr><td>WORKING VOLTAGE (Vdc/Vrms)</td><td>1000/700</td><td>830/560</td><td>1000/700</td><td>900/630</td></tr> </table>	NUMBER OF CAVITY	2	3	4	5	MAX. CURRENT RATING	30	17	15	14	TEST VOLTAGE (Vrms)	2100	1700	2400	1900	WORKING VOLTAGE (Vdc/Vrms)	1000/700	830/560	1000/700	900/630								
NUMBER OF CAVITY	2	3	4	5																									
MAX. CURRENT RATING	30	17	15	14																									
TEST VOLTAGE (Vrms)	2100	1700	2400	1900																									
WORKING VOLTAGE (Vdc/Vrms)	1000/700	830/560	1000/700	900/630																									

CONTACT TYPE : F (FEMALE)
CONTACT TERMINATION : C (CRIMP)

MATERIAL :
 CONTACT: CUPRO-NICKEL
 CLIP: COPPER ALLOY
 INSULATOR: PEEK
 FINISH: GOLD
 CONTACTS : GOLD

INSULATOR KEY

CATALOG NUMBER DESCRIPTION

JBXXX 2 X YY F C XXXX

BASIC SERIES		OPTION	
SHELL TYPE		INSERT MATERIAL	
SHELL SIZE		COLLET OPTION	
KEYING		SURFACE PLATING	
CONTACT LAYOUT		CONTACT TERMINATION	
		CONTACT TYPE	

B	REVISED PER ECN 12286	RSK 06-10-15	EV 06-10-15
A	RELEASED PER ECN 12264	TJS 03-10-15	EV 03-10-15
REV	DESCRIPTION	BY DATE	CHKD DATE

DRAWING TITLE
JBX, SIZE 2, FEMALE INSULATOR, CRIMP CONTACT

CAT. NO. **JBX2INSFC**

CAGE NO: 09922	SIZE: B	
----------------	---------	--

CUSTOMER	SOURIAU	<table border="1" style="width: 100%; border-collapse: collapse;"> <tr><td>DRAWN: TJS</td><td>02-04-15</td></tr> <tr><td>CHKD : EV</td><td>02-04-15</td></tr> <tr><td>DSGN : EV</td><td>02-04-15</td></tr> <tr><td>MFG : DH</td><td>02-04-15</td></tr> <tr><td>QC : BB</td><td>02-04-15</td></tr> <tr><td colspan="2" style="text-align: center;">DRAWING SCALE: NA</td></tr> <tr><td colspan="2" style="text-align: center;">DRAWING NO. REV</td></tr> <tr><td style="text-align: center;">JBX2INSFCC</td><td style="text-align: center;">B</td></tr> <tr><td colspan="2" style="text-align: center;">1 OF 3</td></tr> </table>	DRAWN: TJS	02-04-15	CHKD : EV	02-04-15	DSGN : EV	02-04-15	MFG : DH	02-04-15	QC : BB	02-04-15	DRAWING SCALE: NA		DRAWING NO. REV		JBX2INSFCC	B	1 OF 3	
DRAWN: TJS	02-04-15																			
CHKD : EV	02-04-15																			
DSGN : EV	02-04-15																			
MFG : DH	02-04-15																			
QC : BB	02-04-15																			
DRAWING SCALE: NA																				
DRAWING NO. REV																				
JBX2INSFCC	B																			
1 OF 3																				

INTERPRET THIS DRAWING IN ACCORDANCE WITH ASME Y14.5M - 1994.

WWW.SOURIAU.COM

B

A

2

1

PRO-E

THIS DRAWING IS A CONTROLLED DOCUMENT FOR SOURIAU USA, INC. IT IS SUBJECT TO CHANGE WITHOUT NOTICE. CONTACT THE DOCUMENT CONTROL CENTER FOR THE LATEST REVISION.

THE INFORMATION CONTAINED IN THIS DRAWING IS CONFIDENTIAL AND MAY NOT BE DISCLOSED WITHOUT WRITTEN CONSENT FROM SOURIAU USA, INC.

2

1

DWG. NO. JBX2INSFCC

CONTACT LAYOUT	06	07	08	10
FRONT SIDE VIEW				
REAR SIDE VIEW				
CONTACT				
ISO VIEW				
CONTACT	ØC	1.3	1.3	0.9
	ØF	1.4	1.4	1.1
	MAX. AWG	18	18	20
	MAX. CURRENT RATING (A)	15	15	10
INSULATOR	CONTACT RESISTANCE (mΩ)	3	3	3.5
	NUMBER OF CAVITY	6	7	8
	MAX. CURRENT RATING	12	11	10
	TEST VOLTAGE (Vrms)	1900	1500	1700
WORKING VOLTAGE (Vdc/Vrms)	900/630	730/500	830/560	830/560

DRAWING TITLE
JBX, SIZE 2, FEMALE INSULATOR, CRIMP CONTACT

CAT. NO. **JBX2INSFC**

CAGE NO: 09922 SIZE: B

CUSTOMER

SOURIAU
WWW.SOURIAU.COM

APPROVAL	DRAWN: TJS	02-04-15
	CHKD : EV	02-04-15
	DSGN : EV	02-04-15
	MFG : DH	02-04-15
QC : BB	02-04-15	
DRAWING SCALE: NA		
DRAWING NO. REV		
JBX2INSFCC		B
2 OF 3		

INTERPRET THIS DRAWING IN ACCORDANCE WITH ASME Y14.5M - 1994.

LINEAR MEASURE:	
THIRD ANGLE PROJECTION	
TOLERANCES UNLESS OTHERWISE SPECIFIED	
No. OF PLACES	mm [INCH]
ONE PLACE	±3 [±.1]
TWO PLACES	±0.5 [±.02]
THREE PLACES	±0.25 [±.010]
ANGLES ±1°	

B

A

2

1

PRO-E

THIS DRAWING IS A CONTROLLED DOCUMENT FOR SOURIAU USA, INC. IT IS SUBJECT TO CHANGE WITHOUT NOTICE. CONTACT THE DOCUMENT CONTROL CENTER FOR THE LATEST REVISION.

THE INFORMATION CONTAINED IN THIS DRAWING IS CONFIDENTIAL AND MAY NOT BE DISCLOSED WITHOUT WRITTEN CONSENT FROM SOURIAU USA, INC.

2

1

DWG. NO. JBX2INSFCC						
CONTACT LAYOUT	12	16	18	19		
FRONT SIDE VIEW						
REAR SIDE VIEW						
CONTACT						
ISO VIEW						
CONTACT	ØC	0.7	0.7	0.7	0.7	
	ØF	0.85	0.85	0.85	0.85	
	MAX. AWG	22	22	22	22	
	MAX. CURRENT RATING (A)	7	7	7	7	
	CONTACT RESISTANCE (mΩ)	5	5	5	5	
	NUMBER OF CAVITY	12	16	18	19	
	INSULATOR	MAX. CURRENT RATING	7	6	5.5	5
		TEST VOLTAGE (Vrms)	1700	1500	1400	1400
		WORKING VOLTAGE (Vdc/Vrms)	830/560	730/500	660/460	660/460

B

A

DRAWING TITLE
JBX, SIZE 2, FEMALE INSULATOR, CRIMP CONTACT

CAT NO. **JBX2INSFC**

CAGE NO: 09922 SIZE: B

CUSTOMER

SOURIAU
WWW.SOURIAU.COM

APPROVAL	DRAWN: TJS 02-04-15
	CHKD : EV 02-04-15
	DSGN : EV 02-04-15
	MFG : DH 02-04-15
	QC : BB 02-04-15
DRAWING SCALE: NA	
DRAWING NO. REV	
JBX2INSFCC B	
3 OF 3	

INTERPRET THIS DRAWING IN ACCORDANCE WITH ASME Y14.5M - 1994.

LINEAR MEASURE: mm (INCH)	
THIRD ANGLE PROJECTION	
TOLERANCES UNLESS OTHERWISE SPECIFIED	
No. OF PLACES	mm [INCH]
ONE PLACE	±3 [±.1]
TWO PLACES	±0.5 [±.02]
THREE PLACES	±0.25 [±.010]
ANGLES ±1°	

2

1

PRO-E

X-ON Electronics

Largest Supplier of Electrical and Electronic Components

Click to view similar products for [Circular Push Pull Connectors](#) category:

Click to view products by [Sunbank](#) manufacturer:

Other Similar products are found below :

[6407-249V-11273P](#) [6408-201V-13273](#) [6408-202V-13343](#) [6408-202V-17343](#) [EZG.0B.309.CLN](#) [FFA.2S.310.ZLA](#) [FGA.1B.307.CYCD72Z](#)
[FGJ.1B.304.CLLD76](#) [FGJ.1B.306.CWLD72](#) [FGJ.3B.304.CYMD10Z](#) [FGJ.3B.304.CYMD82Z](#) [FHG.1B.303.CYCZ](#) [PCS.01.250.DLLE24](#)
[PHG.0K.305.CYMC40Z](#) [PHG.1K.308.CLLK85](#) [PKG.M0.6BL.LZ](#) [PLC.M1.0SL.LA](#) [GMA.10.290.DN](#) [GMA.3B.090.DA](#)
[PRG.M0.6GL.LC52GZ](#) [PSA.1S.275.CTLC66](#) [ABF.1S.250.NTA](#) [133020F](#) [1331ER193MZ](#) [1332M107MZ](#) [DTS26Z19-32JA-LC](#) [DTS26Z19-](#)
[32SA](#) [DTS26Z19-32SA-LC](#) [EAJ.1B.306.CWA](#) [ECG.XB.312.CLL](#) [1589430-2](#) [EEA.0B.305.CLN](#) [EEA.0B.309.CLL](#) [ELF.00.250.NTL](#)
[BRR.2S.200.PZVG](#) [HR10A-P](#) [CAH.M34.SLL.C72GZ](#) [CAJ.M34.SLL.C72GZ](#) [300500](#) [EXG.0B.309.HLN](#) [FFB.1S.250.CLAC27](#)
[FGA.2B.306.CYCD92](#) [FGA.2B.306.CYCD92Z](#) [FGJ.3B.308.CLLD72Z](#) [FHG.1B.303.CYCD62](#) [FLC.00.250.CTAC27](#) [FLC.00.250.CTAC31](#)
[PCS.01.250.DLLE31](#) [PKA.M1.0TL.LG](#) [PKC.M0.7GL.NG](#)