

THIS DRAWING IS A CONTROLLED DOCUMENT FOR SOURIAU USA, INC. IT IS SUBJECT TO CHANGE WITHOUT NOTIFICATION. CONTACT THE DOCUMENT CONTROL CENTER FOR THE LATEST REVISION.

DWG. NO. **JBXEC2C**

| | |
|----------|---------------------------|
| MASS (g) | VOLUME (mm ³) |
| 16.8 | 3181 |

ELECTRICAL:

EMI SHIELDING : SHIELDED FOR THE RANGE 55dB UP TO 100MHZ

INSULATION RESISTANCE : >500MΩ PER ANSI-EIA-364-D METHOD 21

MAX. CURRENT RATING : SEE INSULATOR DRAWING

CONNECTOR TESTING VOLTAGE : SEE INSULATOR DRAWING

CONNECTOR WORKING VOLTAGE : SEE INSULATOR DRAWING

ENVIRONMENTAL:

ENDURANCE: 1000 CYCLES AS PER MIL-STD 1344A, METHOD 2016.1

SHOCK: 50 g , DURATION 6 ms; AS PER MIL-STD 1344A, METHOD 2004.1

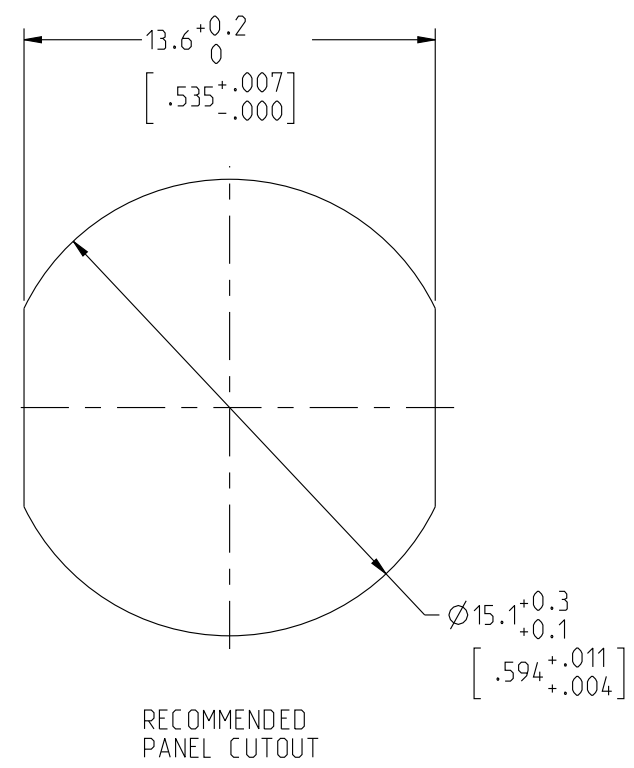
VIBRATIONS: 10 TO 2000Hz g = 15g, AS PER MIL-STD 1344A, METHOD 2005.1

PROTECTION INDEX: IP 67 AS PER CEI 529

ROHS COMPLIANT

SALT MIST : 48Hr PER SAE AS 1344 METHOD 1001.1 CEI 529

OPERATING TEMPERATURE: -40°C TO +80°C (-40°F TO +176°F)



NOTES:

MATERIAL:

OUTER SHELL & PANEL NUT : } BRASS

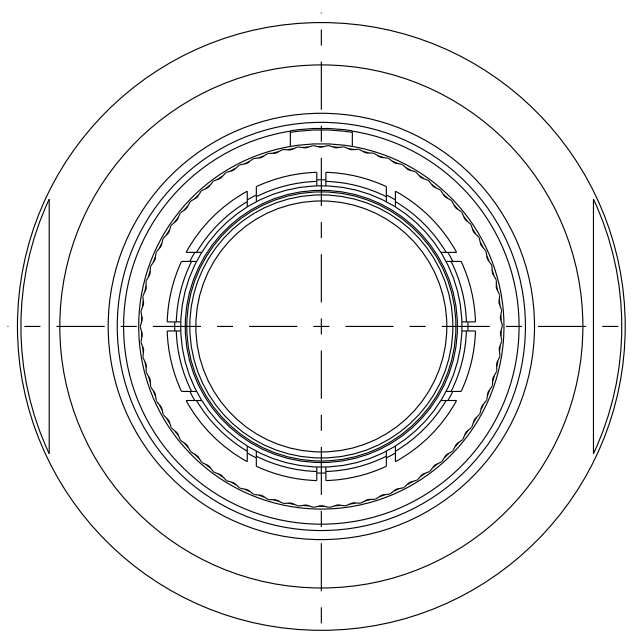
SHIELD RING & NUT: }

FINISH:

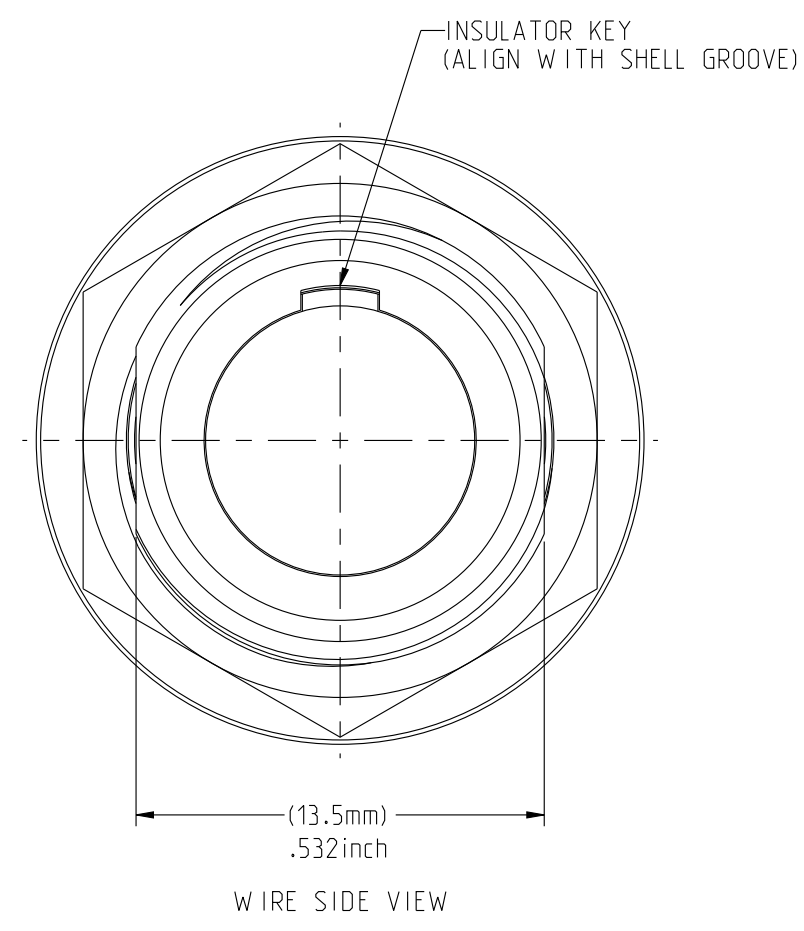
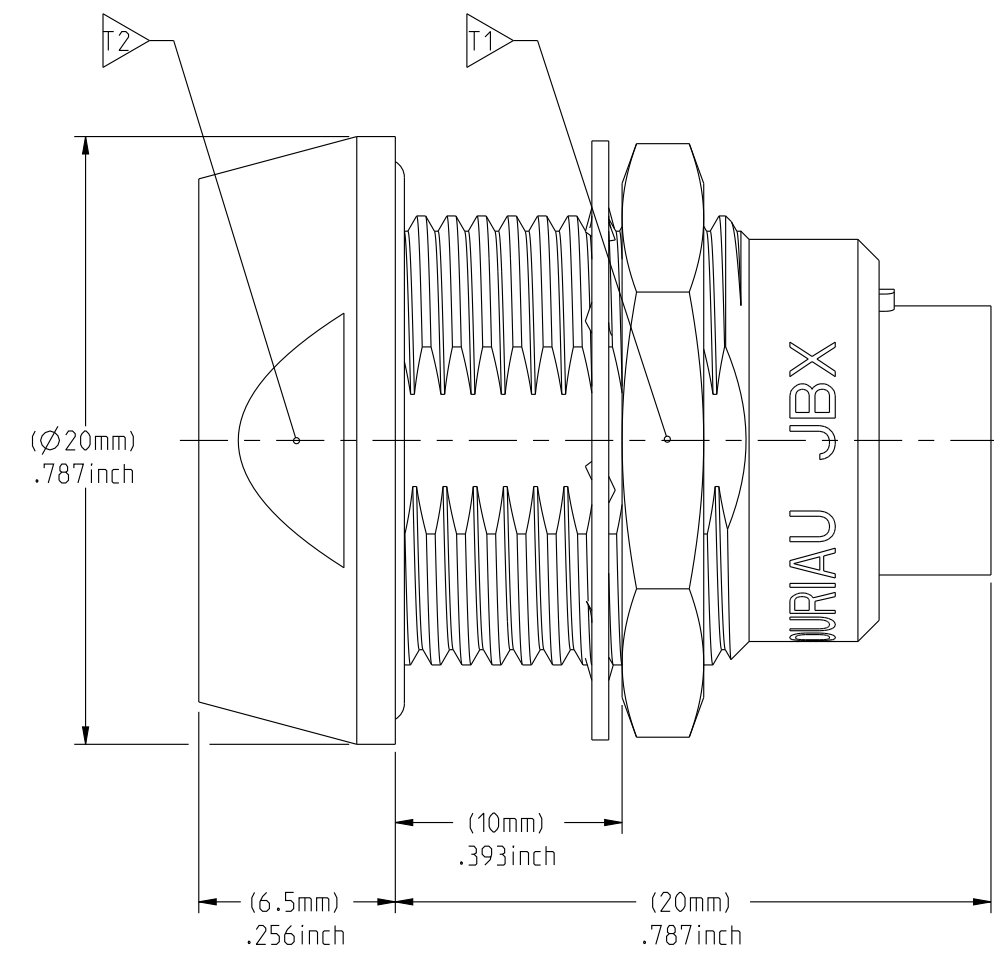
OUTER SHELL: CHROME

OTHER BRASS PARTS : NICKEL

TOOLS

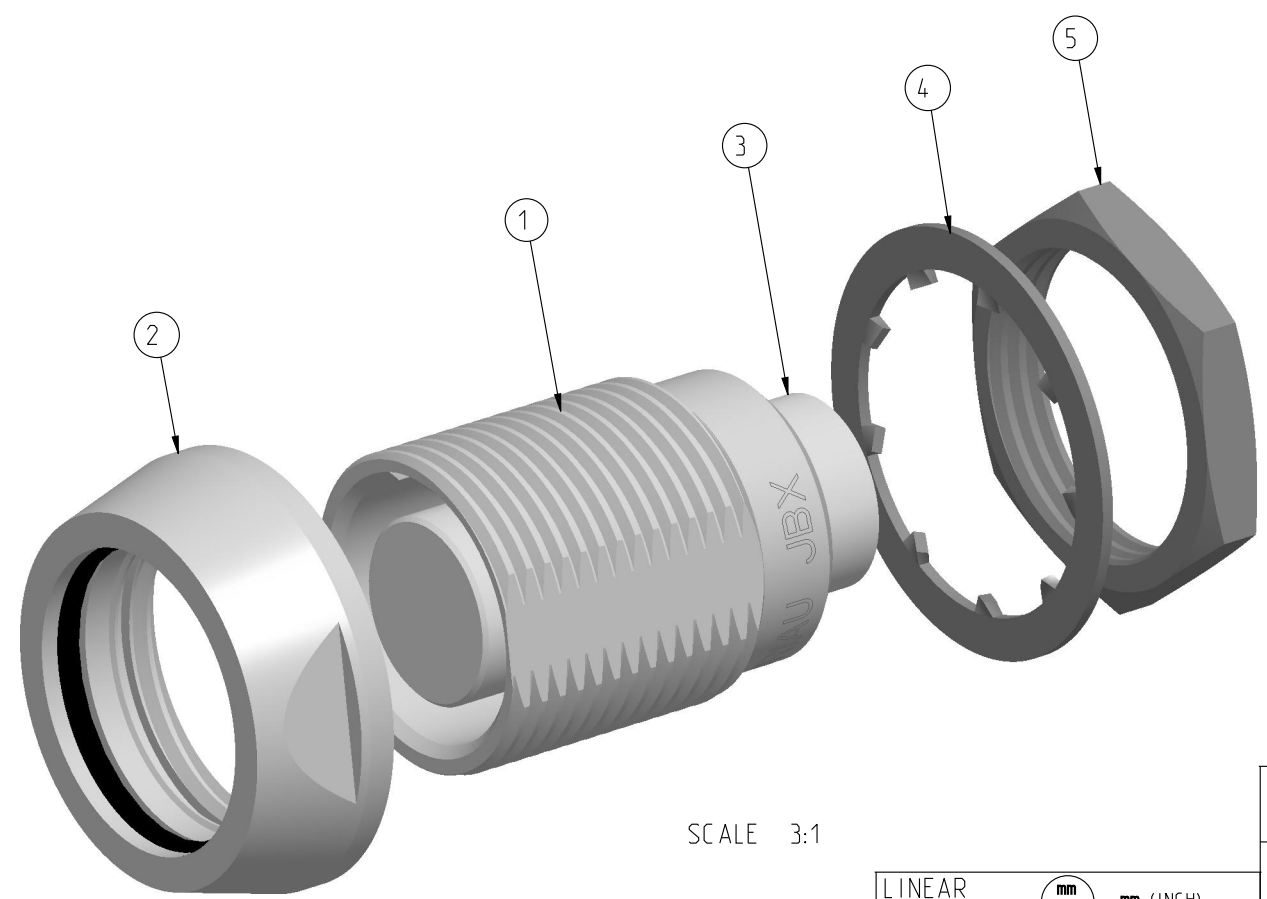


MATING SIDE VIEW



WIRE SIDE VIEW

| PART LIST | |
|-----------|-------------|
| ITEM NO. | DESCRIPTION |
| 1 | SHELL |
| 2 | PANEL NUT |
| 3 | INSULATOR |
| 4 | LOCK WASHER |
| 5 | HEX NUT |

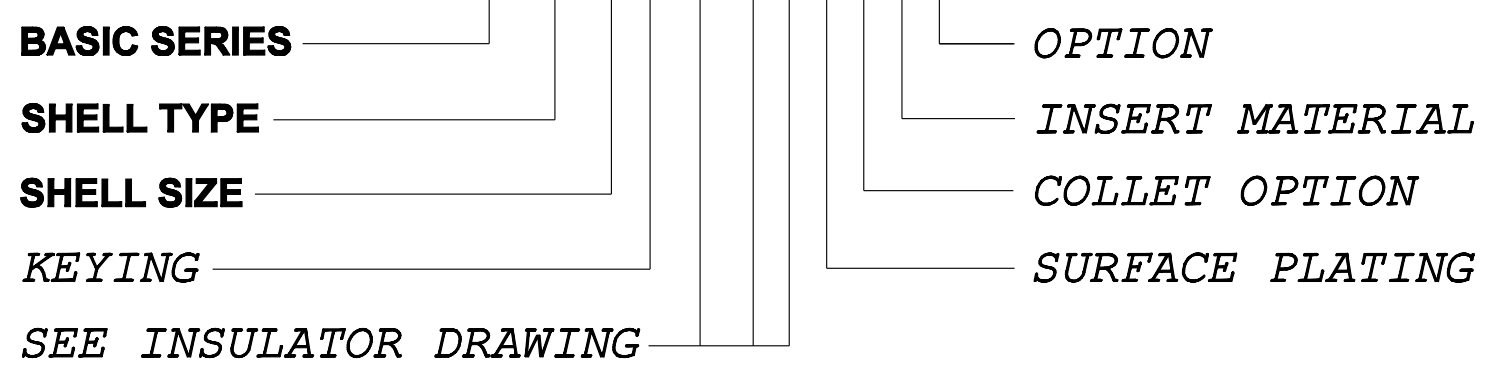


SCALE 3:1

| | TOOLS (JAW DIMENSION) | ADVISED TORQUE IN Nm |
|----|-----------------------|----------------------|
| T1 | 17 | 1.7 |
| T2 | 18 | 1.7 |

CATALOG NUMBER DESCRIPTION

JBX EC 2 XXXXXDX -



| | |
|---------------------------------------|--------------|
| LINEAR MEASURE: | mm (INCH) |
| THIRD ANGLE PROJECTION | |
| TOLERANCES UNLESS OTHERWISE SPECIFIED | |
| No. OF PLACES | mm [INCH] |
| WHOLE No. | ±0.5 [±.02] |
| ONE PLACE | ±0.2 [±.008] |
| TWO PLACES | ±0.1 [±.004] |
| ANGLES ±1° | |

DRAWING TITLE
JBX, SIZE 2, SEALED DOUBLE NUT PANEL RECEPTACLE

CAT NO. **JBXEC2**

CAGE NO: 09922 SIZE: C

CUSTOMER

SOURIAU
www.souriau.com

APPROVAL

| | |
|--------------------|----------|
| DRAWN: SKV | 01-27-15 |
| CHKD : EV | 01-27-15 |
| DSGN : EV | 01-27-15 |
| MFG : DH | 01-27-15 |
| QC : BB | 01-27-15 |
| DRAWING SCALE: 4:1 | |
| DRAWING NO. | REV |
| JBXEC2C | A |

1 OF 1

THE INFORMATION CONTAINED IN THIS DRAWING IS CONFIDENTIAL AND MAY NOT BE DISCLOSED WITHOUT WRITTEN CONSENT FROM SOURIAU USA, INC.

THIS DRAWING IS A CONTROLLED DOCUMENT FOR SOURIAU USA, INC. IT IS SUBJECT TO CHANGE WITHOUT NOTICE. CONTACT THE DOCUMENT CONTROL CENTER FOR THE LATEST REVISION.

THE INFORMATION CONTAINED IN THIS DRAWING IS CONFIDENTIAL AND MAY NOT BE DISCLOSED WITHOUT WRITTEN CONSENT FROM SOURIAU USA, INC.

2

1

| | | | | | | |
|----------------------------------|---|-----------|-----------|-----------|--|----------|
| DWG. NO. JBX2INSFSC | FEMALE INSULATOR, SOLDER CONTACT | | | | <p>CONTACT TYPE : F (FEMALE)</p> <p>CONTACT TERMINATION : S (SOLDER)</p> <p>MATERIAL :</p> <p>CONTACT: CUPRO-NICKEL</p> <p>CLIP: COPPER ALLOY</p> <p>INSULATOR: PEEK</p> <p>FINISH:</p> <p>CONTACTS : GOLD</p> | B |
| CONTACT LAYOUT | 02 | 03 | 04 | 05 | | |
| FRONT SIDE VIEW | | | | | | |
| REAR SIDE VIEW | | | | | | |
| CONTACT | | | | | | |
| ISO VIEW | | | | | | |
| $\varnothing C$ | 2 | 1.6 | 1.3 | 1.3 | | |
| $\varnothing F$ | 1.9 | 1.5 | 1.1 | 1.1 | | |
| MAX. AWG | 16 | 18 | 20 | 20 | | |
| MAX. CURRENT RATING (A) | 30 | 17 | 15 | 15 | | |
| CONTACT RESISTANCE (m Ω) | 2.5 | 2.5 | 3 | 3 | | |
| NUMBER OF CAVITY | 2 | 3 | 4 | 5 | | |
| MAX. CURRENT RATING | 30 | 17 | 15 | 14 | | |
| TEST VOLTAGE (Vrms) | 2100 | 1700 | 2400 | 1900 | | |
| WORKING VOLTAGE (Vdc/Vrms) | 1000/700 | 830/560 | 1000/700 | 900/630 | | |

| CATALOG NUMBER | DESCRIPTION |
|------------------------------|----------------------------|
| JBXXX 2 X YY F S XXXX | |
| BASIC SERIES | OPTION |
| SHELL TYPE | INSERT MATERIAL |
| SHELL SIZE | COLLET OPTION |
| KEYING | SURFACE PLATING |
| CONTACT LAYOUT | CONTACT TERMINATION |
| | CONTACT TYPE |

| | | | | | |
|-----|------------------------|-----|----------|------|----------|
| REV | DESCRIPTION | BY | DATE | CHKD | DATE |
| B | REVISED PER ECN 12286 | RSK | 06-10-15 | EV | 06-10-15 |
| A | RELEASED PER ECN 12264 | TJS | 03-10-15 | EV | 03-10-15 |

| | |
|--|------------------|
| DRAWING TITLE | |
| JBX, SIZE 2, FEMALE INSULATOR, SOLDER CONTACT | |
| CAT. NO. | JBX2INSFS |
| CAGE NO: 09922 | SIZE: B |
| CUSTOMER | SOURIAU |
| WWW.SOURIAU.COM | 1 OF 3 |

| | | | | | | | | | | | | | | | | | | | | | | | | | | | |
|---|---------------------------|-----------|-----------|----------------------|------------|-------------------------|--------------|---------------------------|----------------------|--|---|------------|----------|-----------|----------|-----------|----------|----------|----------|---------|----------|-------------------|--|-----------------|--|------------|---|
| <p>LINEAR MEASURE: $\frac{mm}{INCH}$ mm (INCH)</p> <p>THIRD ANGLE PROJECTION</p> <p>TOLERANCES UNLESS OTHERWISE SPECIFIED</p> <table border="1" style="width: 100%; border-collapse: collapse;"> <tr> <td>No. OF PLACES</td> <td>mm [INCH]</td> </tr> <tr> <td>ONE PLACE</td> <td>± 3 [$\pm .1$]</td> </tr> <tr> <td>TWO PLACES</td> <td>± 0.5 [$\pm .02$]</td> </tr> <tr> <td>THREE PLACES</td> <td>± 0.25 [$\pm .010$]</td> </tr> <tr> <td colspan="2" style="text-align: center;">ANGLES $\pm 1^\circ$</td> </tr> </table> | No. OF PLACES | mm [INCH] | ONE PLACE | ± 3 [$\pm .1$] | TWO PLACES | ± 0.5 [$\pm .02$] | THREE PLACES | ± 0.25 [$\pm .010$] | ANGLES $\pm 1^\circ$ | | <p>APPROVAL</p> <table border="1" style="width: 100%; border-collapse: collapse;"> <tr> <td>DRAWN: TJS</td> <td>02-04-15</td> </tr> <tr> <td>CHKD : EV</td> <td>02-04-15</td> </tr> <tr> <td>DSGN : EV</td> <td>02-04-15</td> </tr> <tr> <td>MFG : DH</td> <td>02-04-15</td> </tr> <tr> <td>QC : BB</td> <td>02-04-15</td> </tr> <tr> <td colspan="2" style="text-align: center;">DRAWING SCALE: NA</td> </tr> <tr> <td colspan="2" style="text-align: center;">DRAWING NO. REV</td> </tr> <tr> <td>JBX2INSFSC</td> <td>B</td> </tr> </table> | DRAWN: TJS | 02-04-15 | CHKD : EV | 02-04-15 | DSGN : EV | 02-04-15 | MFG : DH | 02-04-15 | QC : BB | 02-04-15 | DRAWING SCALE: NA | | DRAWING NO. REV | | JBX2INSFSC | B |
| No. OF PLACES | mm [INCH] | | | | | | | | | | | | | | | | | | | | | | | | | | |
| ONE PLACE | ± 3 [$\pm .1$] | | | | | | | | | | | | | | | | | | | | | | | | | | |
| TWO PLACES | ± 0.5 [$\pm .02$] | | | | | | | | | | | | | | | | | | | | | | | | | | |
| THREE PLACES | ± 0.25 [$\pm .010$] | | | | | | | | | | | | | | | | | | | | | | | | | | |
| ANGLES $\pm 1^\circ$ | | | | | | | | | | | | | | | | | | | | | | | | | | | |
| DRAWN: TJS | 02-04-15 | | | | | | | | | | | | | | | | | | | | | | | | | | |
| CHKD : EV | 02-04-15 | | | | | | | | | | | | | | | | | | | | | | | | | | |
| DSGN : EV | 02-04-15 | | | | | | | | | | | | | | | | | | | | | | | | | | |
| MFG : DH | 02-04-15 | | | | | | | | | | | | | | | | | | | | | | | | | | |
| QC : BB | 02-04-15 | | | | | | | | | | | | | | | | | | | | | | | | | | |
| DRAWING SCALE: NA | | | | | | | | | | | | | | | | | | | | | | | | | | | |
| DRAWING NO. REV | | | | | | | | | | | | | | | | | | | | | | | | | | | |
| JBX2INSFSC | B | | | | | | | | | | | | | | | | | | | | | | | | | | |

2

1

PRO-E

THIS DRAWING IS A CONTROLLED DOCUMENT FOR SOURIAU USA, INC. IT IS SUBJECT TO CHANGE WITHOUT NOTICE. CONTACT THE DOCUMENT CONTROL CENTER FOR THE LATEST REVISION.

THE INFORMATION CONTAINED IN THIS DRAWING IS CONFIDENTIAL AND MAY NOT BE DISCLOSED WITHOUT WRITTEN CONSENT FROM SOURIAU USA, INC.

2

1

| | | | | | | |
|---|-------------------------|------------------------|-----------|-----------|---------|------|
| DWG. NO. JBX2INSFSC | | | | | | |
| CONTACT LAYOUT | 06 | 07 | 08 | 10 | | |
| FRONT SIDE VIEW | | | | | | |
| REAR SIDE VIEW | | | | | | |
| CONTACT | | | | | | |
| ISO VIEW | | | | | | |
| CONTACT | ØC | 1.3 | 1.3 | 0.9 | 0.9 | |
| | ØF | 1.1 | 1.1 | 0.8 | 0.8 | |
| | MAX. AWG | 20 | 20 | 24 | 24 | |
| | MAX. CURRENT RATING (A) | 15 | 15 | 10 | 10 | |
| | CONTACT RESISTANCE (mΩ) | 3 | 3 | 3.5 | 3.5 | |
| | NUMBER OF CAVITY | 6 | 7 | 8 | 10 | |
| | INSULATOR | MAX. CURRENT RATING | 12 | 11 | 10 | 8 |
| | | TEST VOLTAGE (Vrms) | 1900 | 1500 | 1700 | 1700 |
| WORKING VOLTAGE (Vdc/Vrms) | | 900/630 | 730/500 | 830/560 | 830/560 | |
| DRAWING TITLE JBX, SIZE 2, FEMALE INSULATOR, SOLDER CONTACT | | | | | | |
| CAT. NO. JBX2INSFS | | | | | | |
| | | CAGE NO: 09922 | SIZE: B | | | |
| CUSTOMER | | SOURIAU | | | | |
| | | WWW.SOURIAU.COM | | | | |
| INTERPRET THIS DRAWING IN ACCORDANCE WITH ASME Y14.5M - 1994. | | | | | | |
| | | 2 OF 3 | | PRO-E | | |

B

A

2

1

| | |
|---------------------------------------|---------------|
| LINEAR MEASURE: mm (INCH) | |
| THIRD ANGLE PROJECTION | |
| TOLERANCES UNLESS OTHERWISE SPECIFIED | |
| No. OF PLACES | mm [INCH] |
| ONE PLACE | ±3 [±.1] |
| TWO PLACES | ±0.5 [±.02] |
| THREE PLACES | ±0.25 [±.010] |
| ANGLES ±1° | |

THIS DRAWING IS A CONTROLLED DOCUMENT FOR SOURIAU USA, INC. IT IS SUBJECT TO CHANGE WITHOUT NOTICE. CONTACT THE DOCUMENT CONTROL CENTER FOR THE LATEST REVISION.

THE INFORMATION CONTAINED IN THIS DRAWING IS CONFIDENTIAL AND MAY NOT BE DISCLOSED WITHOUT WRITTEN CONSENT FROM SOURIAU USA, INC.

2

1

| | | | | | |
|---|-------------------------|------------------------|-----------|-----------------|------|
| DWG. NO. JBX2INSFSC | | | | | |
| CONTACT LAYOUT | 12 | 16 | 18 | 19 | |
| FRONT SIDE VIEW | | | | | |
| REAR SIDE VIEW | | | | | |
| CONTACT | | | | | |
| ISO VIEW | | | | | |
| CONTACT | ØC | 0.7 | 0.7 | 0.7 | 0.7 |
| | ØF | 0.81 | 0.81 | 0.81 | 0.81 |
| | MAX. AWG | 22 | 22 | 22 | 22 |
| | MAX. CURRENT RATING (A) | 7 | 7 | 7 | 7 |
| INSULATOR | CONTACT RESISTANCE (mΩ) | 5 | 5 | 5 | 5 |
| | NUMBER OF CAVITY | 12 | 16 | 18 | 19 |
| | MAX. CURRENT RATING | 7 | 6 | 5.5 | 5 |
| | TEST VOLTAGE (Vrms) | 1700 | 1500 | 1400 | 1400 |
| WORKING VOLTAGE (Vdc/Vrms) | 830/560 | 730/500 | 660/460 | 660/460 | |
| DRAWING TITLE JBX, SIZE 2, FEMALE INSULATOR, SOLDER CONTACT | | | | | |
| CAT. NO. JBX2INSFS | | | | | |
| | | CAGE NO: 09922 | SIZE: B | | |
| CUSTOMER | | SOURIAU | | | |
| | | WWW.SOURIAU.COM | | | |
| INTERPRET THIS DRAWING IN ACCORDANCE WITH ASME Y14.5M - 1994. | | | | | |
| | | DRAWING SCALE: NA | | DRAWING NO. REV | |
| | | JBX2INSFSC | | B | |
| | | 3 OF 3 | | | |

B

A

2

1

PRO-E

X-ON Electronics

Largest Supplier of Electrical and Electronic Components

Click to view similar products for [Circular Push Pull Connectors](#) category:

Click to view products by [Sunbank](#) manufacturer:

Other Similar products are found below :

[6407-249V-11273P](#) [6408-201V-13273](#) [6408-202V-13343](#) [6408-202V-17343](#) [EZG.0B.309.CLN](#) [FFA.2S.310.ZLA](#) [FGA.1B.307.CYCD72Z](#)
[FGJ.1B.304.CLLD76](#) [FGJ.1B.306.CWLD72](#) [FGJ.3B.304.CYMD10Z](#) [FGJ.3B.304.CYMD82Z](#) [FHG.1B.303.CYCZ](#) [PCS.01.250.DLLE24](#)
[PHG.0K.305.CYMC40Z](#) [PHG.1K.308.CLLK85](#) [PKG.M0.6BL.LZ](#) [PLC.M1.0SL.LA](#) [GMA.10.290.DN](#) [GMA.3B.090.DA](#)
[PRG.M0.6GL.LC52GZ](#) [PSA.1S.275.CTLC66](#) [ABF.1S.250.NTA](#) [133020F](#) [1331ER193MZ](#) [1332M107MZ](#) [DTS26Z19-32JA-LC](#) [DTS26Z19-](#)
[32SA](#) [DTS26Z19-32SA-LC](#) [EAJ.1B.306.CWA](#) [ECG.XB.312.CLL](#) [1589430-2](#) [EEA.0B.305.CLN](#) [EEA.0B.309.CLL](#) [ELF.00.250.NTL](#)
[BRR.2S.200.PZVG](#) [HR10A-P](#) [CAH.M34.SLL.C72GZ](#) [CAJ.M34.SLL.C72GZ](#) [300500](#) [EXG.0B.309.HLN](#) [FFB.1S.250.CLAC27](#)
[FGA.2B.306.CYCD92](#) [FGA.2B.306.CYCD92Z](#) [FGJ.3B.308.CLLD72Z](#) [FHG.1B.303.CYCD62](#) [FLC.00.250.CTAC27](#) [FLC.00.250.CTAC31](#)
[PCS.01.250.DLLE31](#) [PKA.M1.0TL.LG](#) [PKC.M0.7GL.NG](#)