

| | |
|----------|---------------------------|
| MASS (g) | VOLUME (mm ³) |
| 9.7 | 1623 |

ELECTRICAL:

EMI SHIELDING : SHIELDED FOR THE RANGE 55dB UP TO 100MHZ

INSULATION RESISTANCE : >500MΩ PER ANSI-EIA-364-D METHOD 21

MAX. CURRENT RATING : SEE INSULATOR DRAWING

CONNECTOR TESTING VOLTAGE : SEE INSULATOR DRAWING

CONNECTOR WORKING VOLTAGE : SEE INSULATOR DRAWING

ENVIRONMENTAL:

ENDURANCE: 1000 CYCLES AS PER MIL-STD 1344A, METHOD 2016.1

SHOCK: 50 g . DURATION 6 ms; AS PER MIL-STD 1344A, METHOD 2004.1

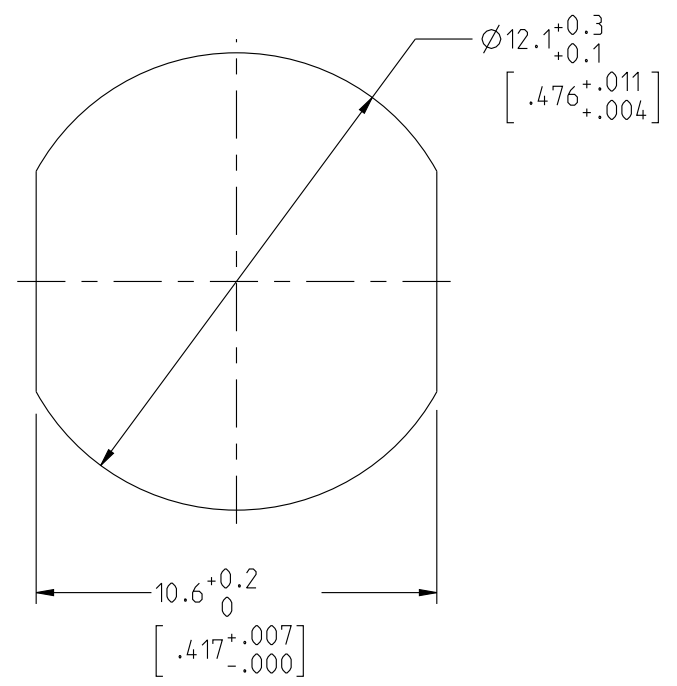
VIBRATIONS: 10 TO 2000Hz g = 15g, AS PER MIL-STD 1344A, METHOD 2005.1

PROTECTION INDEX: IP 40 AS PER CEI 529

ROHS COMPLIANT

SALT MIST : 48Hr PER SAE AS 1344 METHOD 1001.1 CEI 529

OPERATING TEMPERATURE: -55°C TO +125°C (-67°F TO +257°F)



RECOMMENDED PANEL CUTOUT

NOTES:

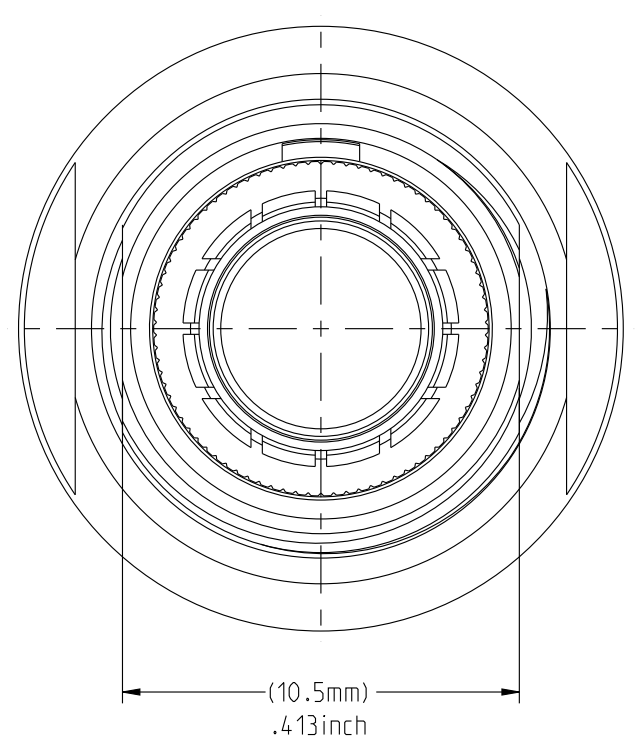
MATERIAL:

OUTER SHELL : } BRASS
SHIELD RING & PANEL NUT: }

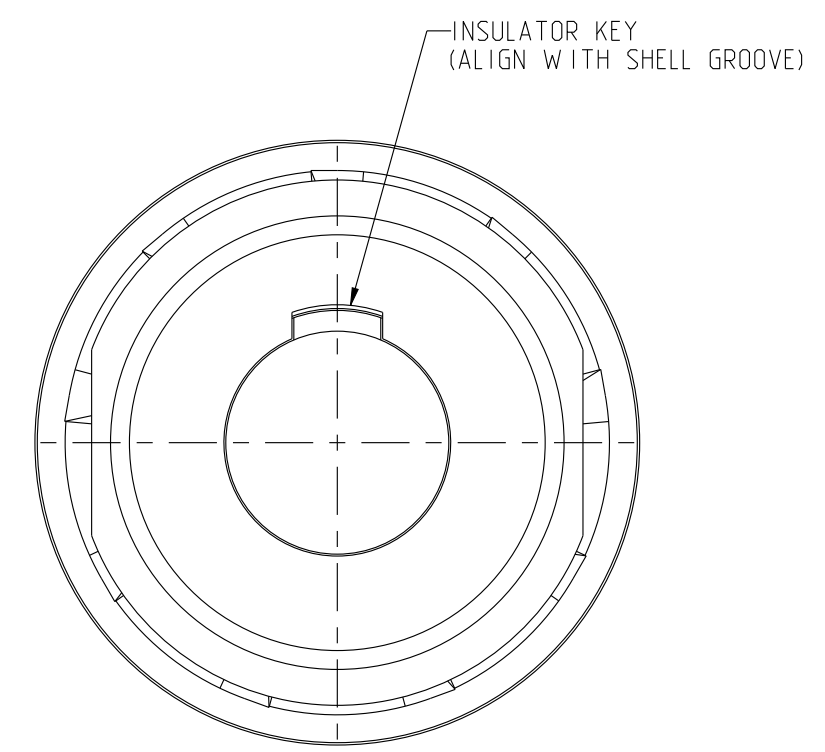
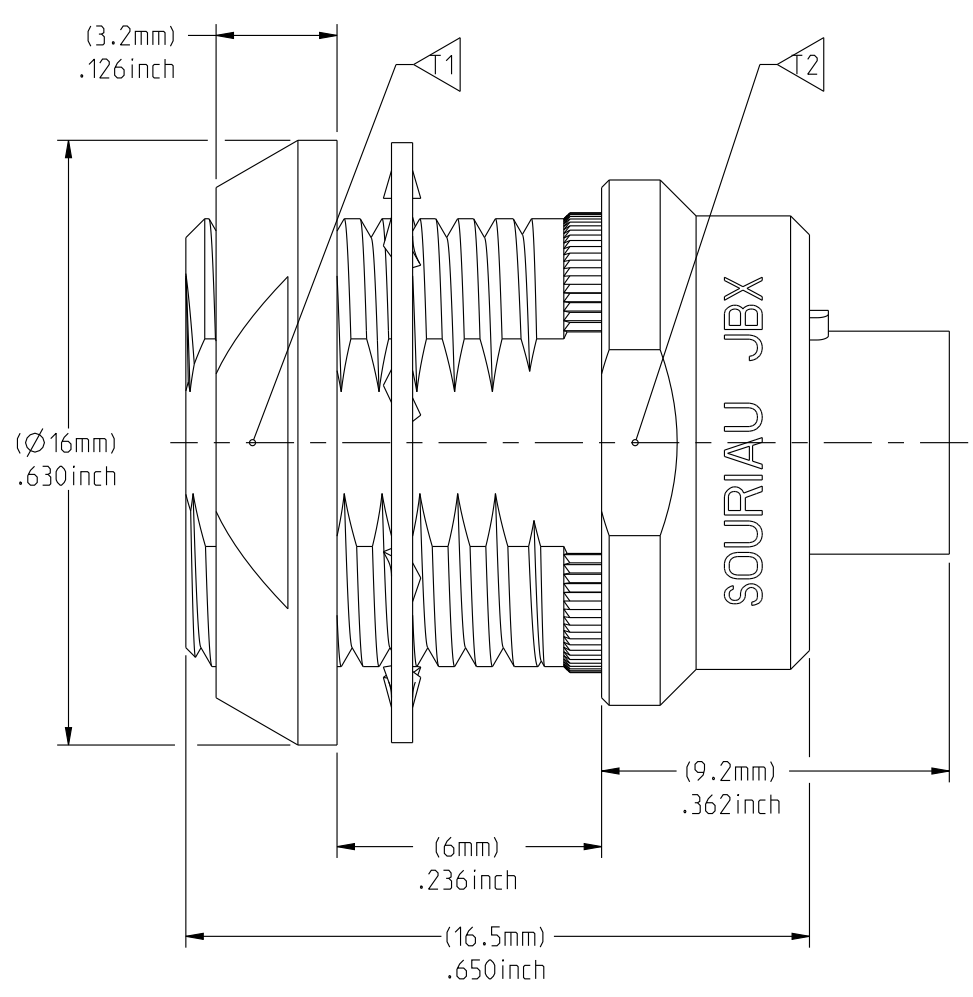
FINISH:

OUTER SHELL: CHROME
OTHER BRASS PARTS : NICKEL

TOOLS



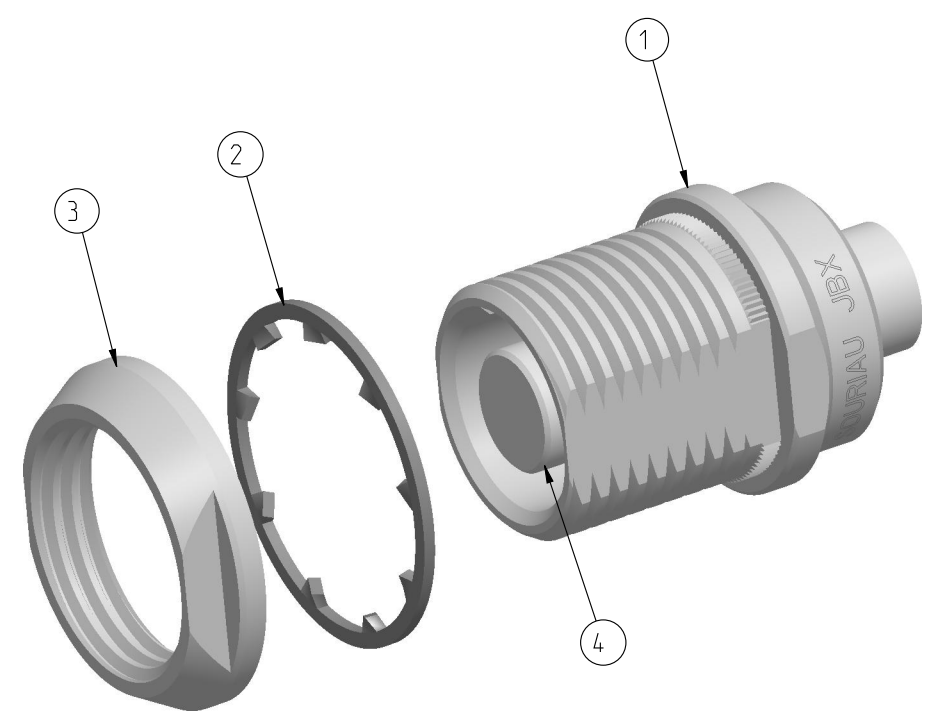
MATING SIDE VIEW



WIRE SIDE VIEW

| PART LIST | |
|-----------|-------------|
| ITEM NO. | DESCRIPTION |
| 1 | SHELL |
| 2 | LOCK WASHER |
| 3 | PANEL NUT |
| 4 | INSULATOR |

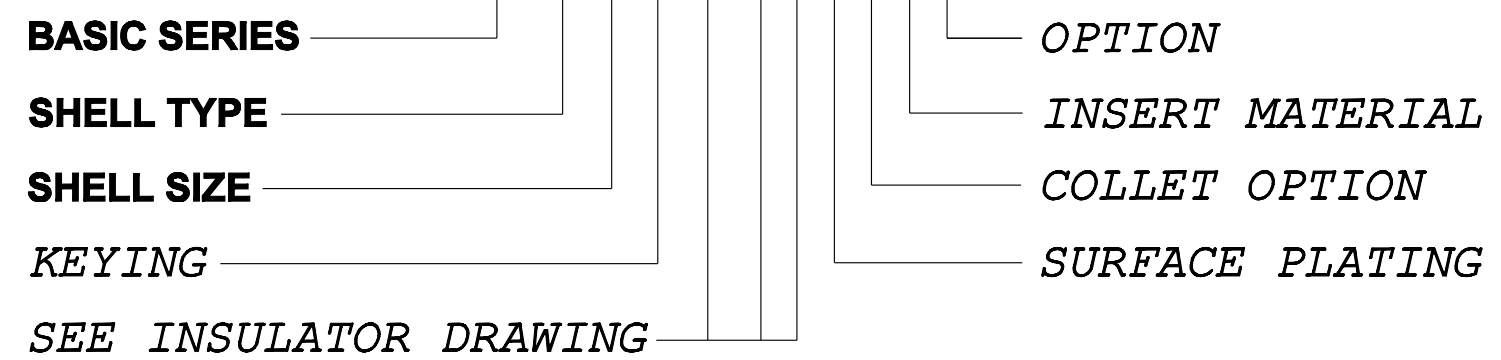
| | TOOLS (JAW DIMENSION) | ADVISED TORQUE IN Nm |
|----|-----------------------|----------------------|
| T1 | 13 | 1.3 |
| T2 | 13 | - |



SCALE 3:1

CATALOG NUMBER DESCRIPTION

JBX EP 1 XXXXXDX -



DRAWING TITLE
JBX, SIZE 1, BACK PANEL MOUNTING RECEPTACLE

CAT NO. **JBXEP1**

CAGE NO: 09922 SIZE: C

CUSTOMER

SOURIAU
www.souriau.com

APPROVAL
DRAWN: SKV 01-14-15
CHKD : EV 01-14-15
DSGN : EV 01-14-15
MFG : DH 01-14-15
QC : BB 01-14-15
DRAWING SCALE: 5:1
DRAWING NO. REV
JBXEPIC A

1 OF 1

LINEAR MEASURE: $\frac{mm}{INCH}$ $\frac{mm}{INCH}$

THIRD ANGLE PROJECTION

TOLERANCES UNLESS OTHERWISE SPECIFIED

| | |
|---------------|--------------|
| No. OF PLACES | mm [INCH] |
| WHOLE No. | ±0.5 [±.02] |
| ONE PLACE | ±0.2 [±.008] |
| TWO PLACES | ±0.1 [±.004] |

ANGLES ±1°

THIS DRAWING IS A CONTROLLED DOCUMENT FOR SOURIAU USA, INC. IT IS SUBJECT TO CHANGE WITHOUT NOTIFICATION. CONTACT THE DOCUMENT CONTROL CENTER FOR THE LATEST REVISION.

THE INFORMATION CONTAINED IN THIS DRAWING IS CONFIDENTIAL AND MAY NOT BE DISCLOSED WITHOUT WRITTEN CONSENT FROM SOURIAU USA, INC.

THIS DRAWING IS A CONTROLLED DOCUMENT FOR SOURIAU USA, INC. IT IS SUBJECT TO CHANGE WITHOUT NOTICE. CONTACT THE DOCUMENT CONTROL CENTER FOR THE LATEST REVISION.

THE INFORMATION CONTAINED IN THIS DRAWING IS CONFIDENTIAL AND MAY NOT BE DISCLOSED WITHOUT WRITTEN CONSENT FROM SOURIAU USA, INC.

| | | | | | | | | | |
|------------------------|--|-----------------------|--|---|-----------|------------------------|--------------|-----------|--|
| 2 | | | | | | | 1 | | |
| DWG. NO. JBX11NSFSC | | CONTACT LAYOUT | | 06 | 07 | 08 | 10 | 12 | |
| FRONT SIDE VIEW | | | | | | | | | |
| REAR SIDE VIEW | | KEY | | | | | | | |
| CONTACT | | | | | | | | | |
| ISO VIEW | | | | | | | | | |
| CONTACT | | | | ØC | 0.7 | 0.7 | 0.7 | 0.5 | |
| CONTACT | | | | ØF | 0.81 | 0.81 | 0.81 | 0.5 | |
| CONTACT | | | | MAX. AWG | 22 | 22 | 22 | 28 | |
| CONTACT | | | | MAX. CURRENT RATING (A) | 7 | 7 | 7 | 5 | |
| CONTACT | | | | CONTACT RESISTANCE (mΩ) | 5 | 5 | 5 | 10 | |
| INSULATOR | | | | NUMBER OF CAVITY | 6 | 7 | 8 | 10 | |
| INSULATOR | | | | MAX. CURRENT RATING | 7 | 7 | 5 | 2.5 | |
| INSULATOR | | | | TEST VOLTAGE (Vrms) | 1400 | 1400 | 1200 | 600 | |
| INSULATOR | | | | WORKING VOLTAGE (Vdc/Vrms) | 660/460 | 660/460 | 600/420 | 300/200 | |
| | | | | DRAWING TITLE JBX, SIZE 1, FEMALE INSULATOR, SOLDER CONTACT | | | | | |
| | | | | CAT NO. JBX11NSFS | | | | | |
| | | | | CAGE NO: 09922 | | SIZE: B | | | |
| | | | | CUSTOMER | | SOURIAU | | | |
| | | | | INTERPRET THIS DRAWING IN ACCORDANCE WITH ASME Y14.5M - 1994. | | WWW.SOURIAU.COM | | | |
| | | | | LINEAR MEASURE: | | THIRD ANGLE PROJECTION | | | |
| | | | | TOLERANCES UNLESS OTHERWISE SPECIFIED | | APPROVAL | | | |
| | | | | No. OF PLACES mm [INCH] | | DRAWN: SKV 02-02-15 | | | |
| | | | | ONE PLACE ±3 [±.1] | | CHKD : EV 02-02-15 | | | |
| | | | | TWO PLACES ±0.5 [±.02] | | DSGN : EV 02-02-15 | | | |
| | | | | THREE PLACES ±0.25 [±.010] | | MFG : DH 02-02-15 | | | |
| | | | | ANGLES ±1° | | QC : BB 02-02-15 | | | |
| | | | | | | DRAWING SCALE: NA | | | |
| | | | | | | DRAWING NO. REV | | | |
| | | | | | | JBX11NSFSC | | B | |
| | | | | | | 2 OF 2 | | | |
| 2 | | | | | | | 1 | | |
| | | | | | | | PRO-E | | |

B

A

X-ON Electronics

Largest Supplier of Electrical and Electronic Components

Click to view similar products for [Circular Push Pull Connectors](#) category:

Click to view products by [Sunbank](#) manufacturer:

Other Similar products are found below :

[6407-249V-11273P](#) [6408-201V-13273](#) [6408-202V-13343](#) [6408-202V-17343](#) [EZG.0B.309.CLN](#) [FFA.2S.310.ZLA](#) [FGA.1B.307.CYCD72Z](#)
[FGJ.1B.304.CLLD76](#) [FGJ.1B.306.CWLD72](#) [FGJ.3B.304.CYMD10Z](#) [FGJ.3B.304.CYMD82Z](#) [FHG.1B.303.CYCZ](#) [PCS.01.250.DLLE24](#)
[PHG.0K.305.CYMC40Z](#) [PHG.1K.308.CLLK85](#) [PKG.M0.6BL.LZ](#) [PLC.M1.0SL.LA](#) [GMA.10.290.DN](#) [GMA.3B.090.DA](#)
[PRG.M0.6GL.LC52GZ](#) [PSA.1S.275.CTLC66](#) [ABF.1S.250.NTA](#) [133020F](#) [1331ER193MZ](#) [1332M107MZ](#) [DTS26Z19-32JA-LC](#) [DTS26Z19-](#)
[32SA](#) [DTS26Z19-32SA-LC](#) [EAJ.1B.306.CWA](#) [ECG.XB.312.CLL](#) [1589430-2](#) [EEA.0B.305.CLN](#) [EEA.0B.309.CLL](#) [ELF.00.250.NTL](#)
[BRR.2S.200.PZVG](#) [HR10A-P](#) [CAH.M34.SLL.C72GZ](#) [CAJ.M34.SLL.C72GZ](#) [300500](#) [EXG.0B.309.HLN](#) [FFB.1S.250.CLAC27](#)
[FGA.2B.306.CYCD92](#) [FGA.2B.306.CYCD92Z](#) [FGJ.3B.308.CLLD72Z](#) [FHG.1B.303.CYCD62](#) [FLC.00.250.CTAC27](#) [FLC.00.250.CTAC31](#)
[PCS.01.250.DLLE31](#) [PKA.M1.0TL.LG](#) [PKC.M0.7GL.NG](#)