

THIS DRAWING IS A CONTROLLED DOCUMENT FOR SOURIAU USA, INC. IT IS SUBJECT TO CHANGE WITHOUT NOTIFICATION. CONTACT THE DOCUMENT CONTROL CENTER FOR THE LATEST REVISION.

DWG. NO. **JBXEP2C**

MASS (g)	VOLUME (mm <sup>3</sup> )
16.4	3126

**ELECTRICAL:**

EMI SHIELDING : SHIELDED FOR THE RANGE 55dB UP TO 100MHZ

INSULATION RESISTANCE : >500MΩ PER ANSI-EIA-364-D METHOD 21

MAX. CURRENT RATING : SEE INSULATOR DRAWING

CONNECTOR TESTING VOLTAGE : SEE INSULATOR DRAWING

CONNECTOR WORKING VOLTAGE : SEE INSULATOR DRAWING

**ENVIRONMENTAL:**

ENDURANCE: 1000 CYCLES AS PER MIL-STD 1344A, METHOD 2016.1

SHOCK: 50 g . DURATION 6 ms; AS PER MIL-STD 1344A, METHOD 2004.1

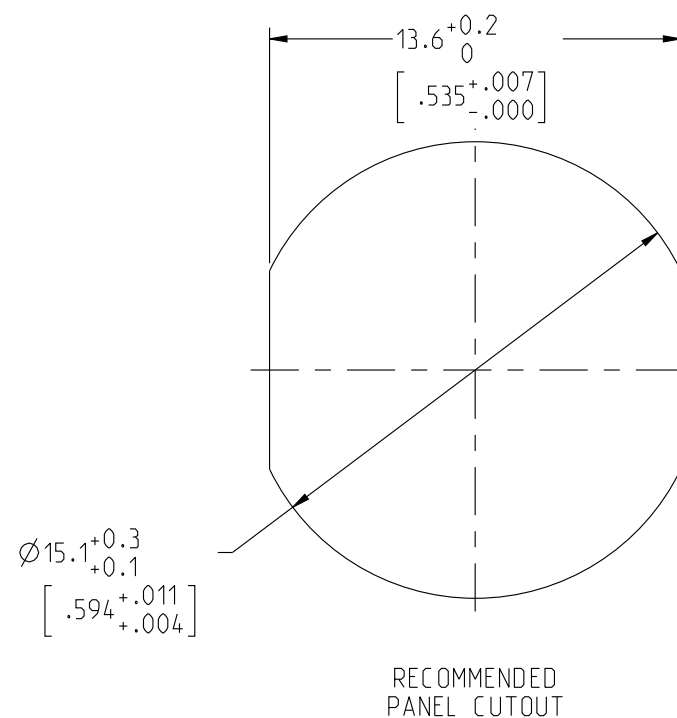
VIBRATIONS: 10 TO 2000Hz g = 15g, AS PER MIL-STD 1344A, METHOD 2005.1

PROTECTION INDEX: IP 40 AS PER CEI 529

ROHS COMPLIANT

SALT MIST : 48Hr PER SAE AS 1344 METHOD 1001.1 CEI 529

OPERATING TEMPERATURE: -55°C TO +125°C (-67°F TO +257°F)



**NOTES:**

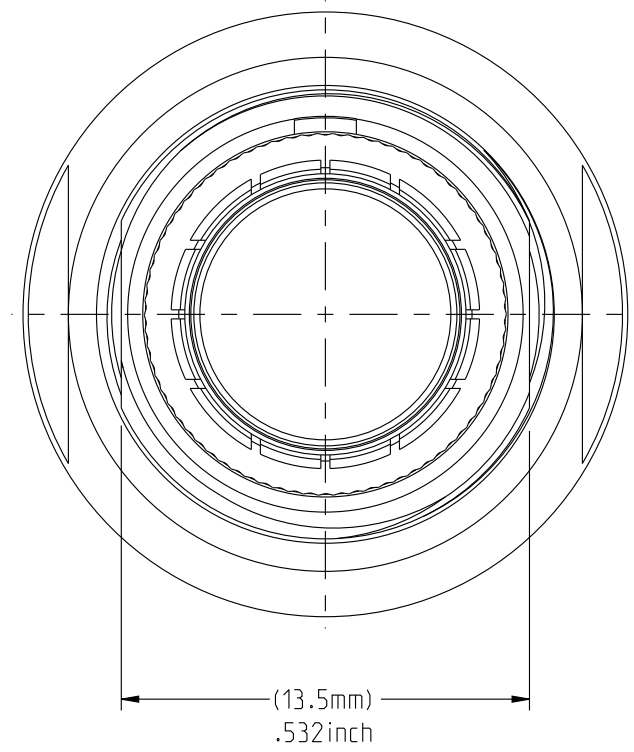
**MATERIAL:**

OUTER SHELL : } BRASS  
SHIELD RING & PANEL NUT: }

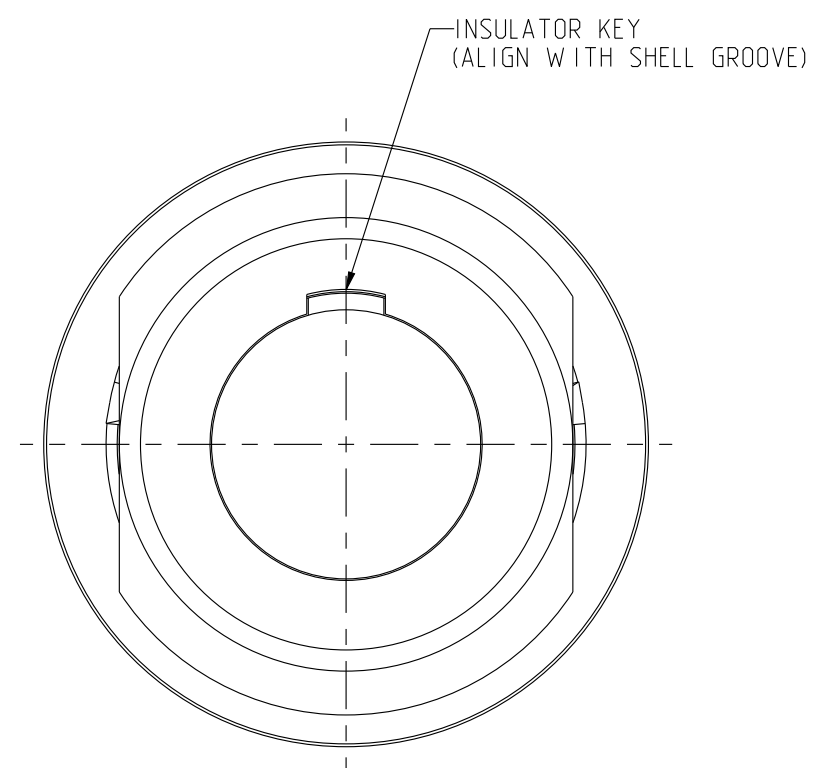
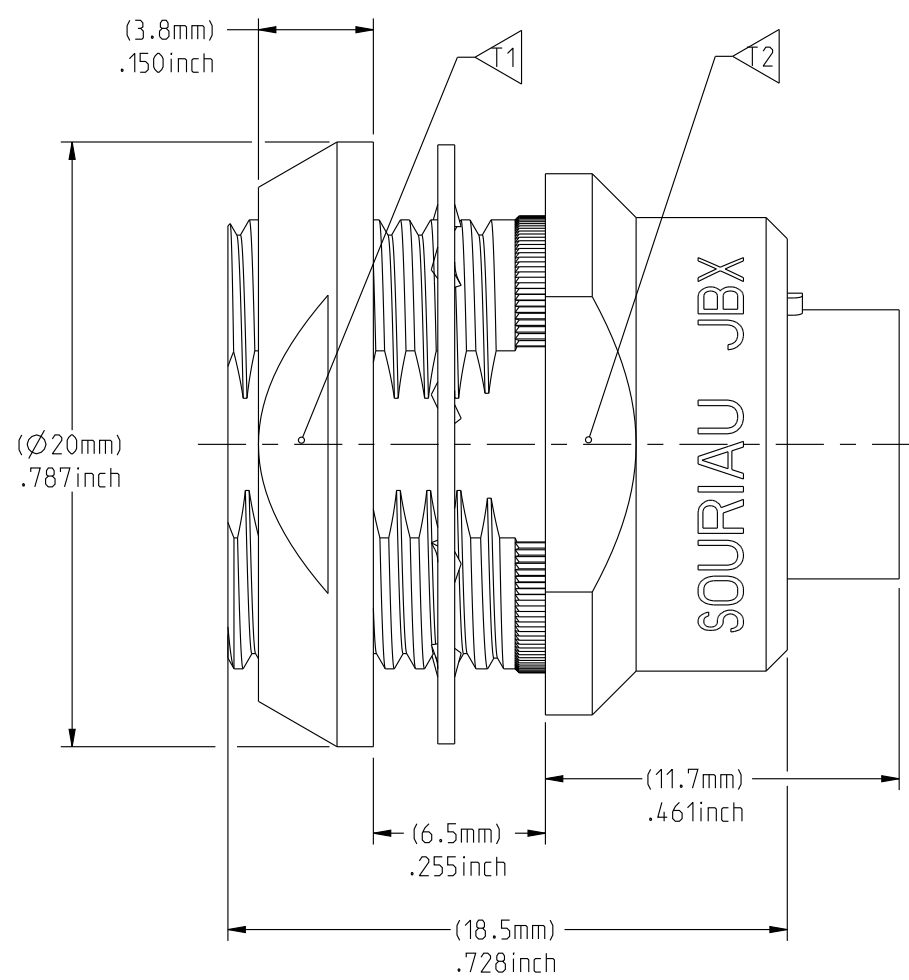
**FINISH:**

OUTER SHELL: CHROME  
OTHER BRASS PARTS : NICKEL

**TOOLS:**



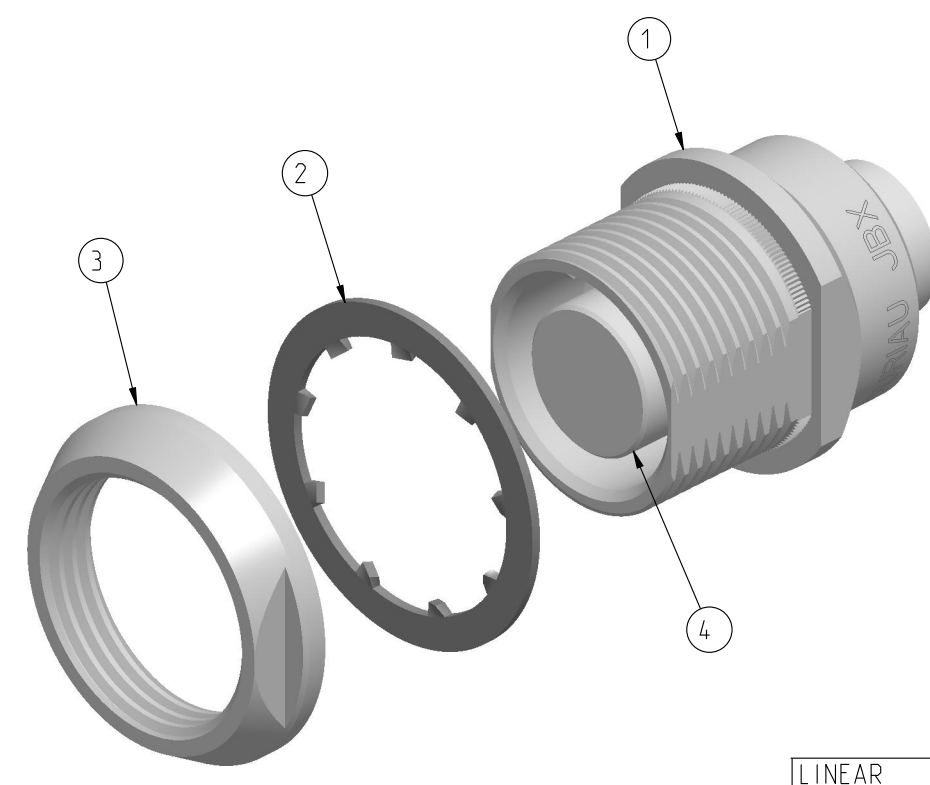
MATING SIDE VIEW



WIRE SIDE VIEW

PART LIST	
ITEM NO.	DESCRIPTION
1	SHELL
2	LOCK WASHER
3	PANEL NUT
4	INSULATOR

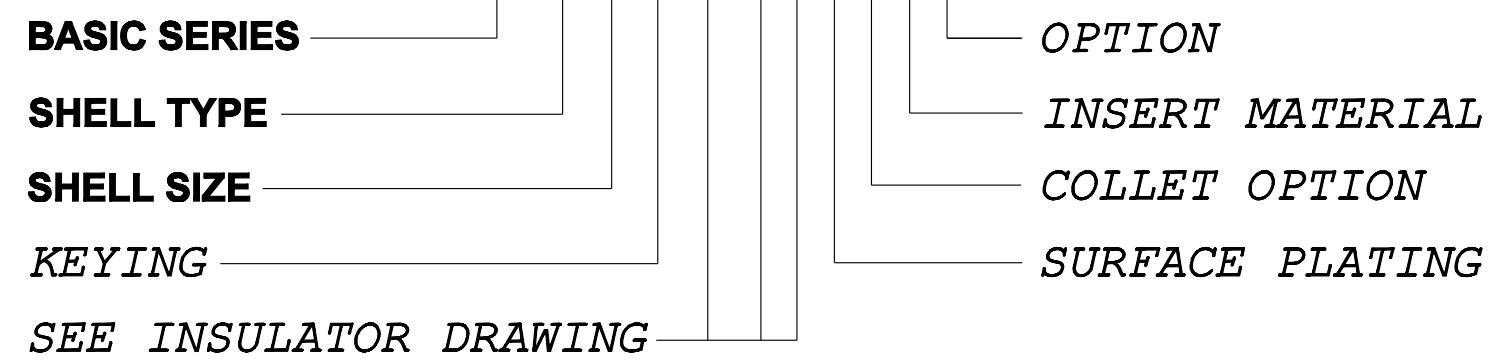
	TOOLS (JAW DIMENSION)	ADVISED TORQUE IN Nm
T1	17	1.7
T2	15	-



SCALE 5:2

**CATALOG NUMBER DESCRIPTION**

**JBX EP 2 XXXXXDX -**



**DRAWING TITLE**  
**JBX, SIZE 2, BACK PANEL MOUNTING RECEPTACLE**

CAT NO. **JBXEP2**

CAGE NO: 09922 SIZE: C

**CUSTOMER**

**SOURIAU**  
www.souriau.com

APPROVAL  
DRAWN: SKV 01-14-15  
CHKD: EV 01-14-15  
DSGN: EV 01-14-15  
MFG: DH 01-14-15  
QC: BB 01-14-15

DRAWING SCALE: 4:1  
DRAWING NO. REV  
**JBXEP2C** A

1 OF 1

LINEAR MEASURE: mm (INCH)

THIRD ANGLE PROJECTION

TOLERANCES UNLESS OTHERWISE SPECIFIED

No. OF PLACES	mm [INCH]
WHOLE No.	±0.5 [±.02]
ONE PLACE	±0.2 [±.008]
TWO PLACES	±0.1 [±.004]
ANGLES ±1°	

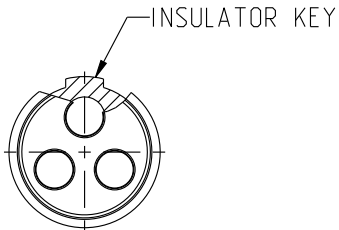
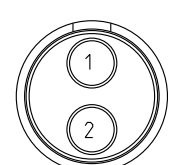
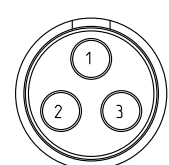
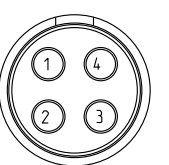
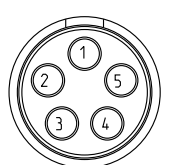
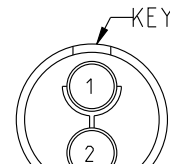
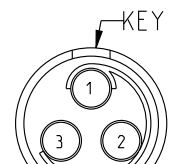
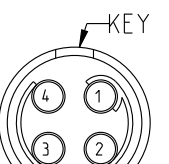
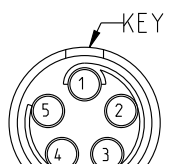
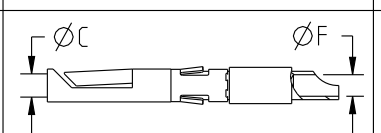
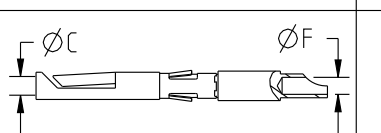
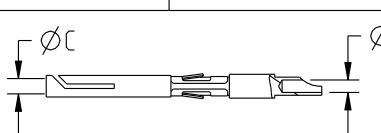
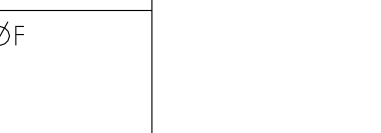
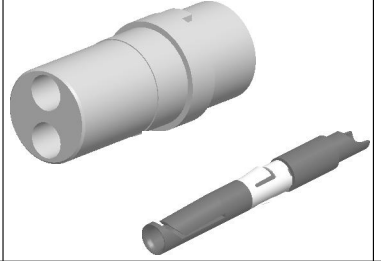
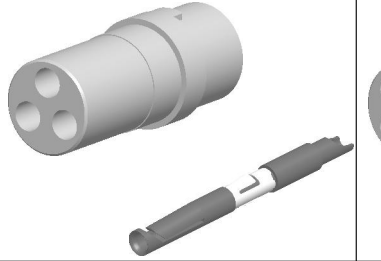
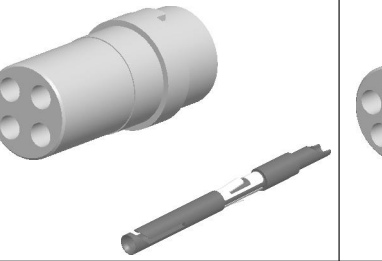
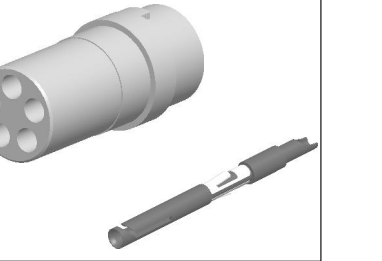
THE INFORMATION CONTAINED IN THIS DRAWING IS CONFIDENTIAL AND MAY NOT BE DISCLOSED WITHOUT WRITTEN CONSENT FROM SOURIAU USA, INC.


THIS DRAWING IS A CONTROLLED DOCUMENT FOR SOURIAU USA, INC. IT IS SUBJECT TO CHANGE WITHOUT NOTICE. CONTACT THE DOCUMENT CONTROL CENTER FOR THE LATEST REVISION.

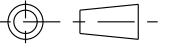
THE INFORMATION CONTAINED IN THIS DRAWING IS CONFIDENTIAL AND MAY NOT BE DISCLOSED WITHOUT WRITTEN CONSENT FROM SOURIAU USA, INC.

2

1

DWG. NO. JBX2INSFSC	<b>FEMALE INSULATOR, SOLDER CONTACT</b>				<p><b>CONTACT TYPE :</b> F (FEMALE)</p> <p><b>CONTACT TERMINATION :</b> S (SOLDER)</p> <p><b>MATERIAL :</b></p> <p>CONTACT: CUPRO-NICKEL</p> <p>CLIP: COPPER ALLOY</p> <p>INSULATOR: PEEK</p> <p><b>FINISH:</b></p> <p>CONTACTS : GOLD</p>		<p><b>CATALOG NUMBER DESCRIPTION</b></p> <p><b>JBXXX 2 X YY F S XXXX</b></p> <p><b>BASIC SERIES</b> ———— <b>OPTION</b></p> <p><b>SHELL TYPE</b> ———— <b>INSERT MATERIAL</b></p> <p><b>SHELL SIZE</b> ———— <b>COLLET OPTION</b></p> <p><b>KEYING</b> ———— <b>SURFACE PLATING</b></p> <p><b>CONTACT LAYOUT</b> ———— <b>CONTACT TERMINATION</b></p> <p>————— <b>CONTACT TYPE</b></p>
<b>CONTACT LAYOUT</b>	<b>02</b>	<b>03</b>	<b>04</b>	<b>05</b>			
FRONT SIDE VIEW							
REAR SIDE VIEW							
CONTACT							
ISO VIEW							
$\varnothing C$	2	1.6	1.3	1.3			
$\varnothing F$	1.9	1.5	1.1	1.1			
MAX. AWG	16	18	20	20			
MAX. CURRENT RATING (A)	30	17	15	15			
CONTACT RESISTANCE (m $\Omega$ )	2.5	2.5	3	3			
NUMBER OF CAVITY	2	3	4	5			
MAX. CURRENT RATING	30	17	15	14			
TEST VOLTAGE (Vrms)	2100	1700	2400	1900			
WORKING VOLTAGE (Vdc/Vrms)	1000/700	830/560	1000/700	900/630			

LINEAR MEASURE:  mm (INCH)

THIRD ANGLE PROJECTION 

TOLERANCES UNLESS OTHERWISE SPECIFIED

No. OF PLACES	mm [INCH]
ONE PLACE	$\pm 3$ [ $\pm .1$ ]
TWO PLACES	$\pm 0.5$ [ $\pm .02$ ]
THREE PLACES	$\pm 0.25$ [ $\pm .010$ ]
ANGLES $\pm 1^\circ$	

DRAWING TITLE <b>JBX, SIZE 2, FEMALE INSULATOR, SOLDER CONTACT</b>		REV B REVISED PER ECN 12286		RSK 06-10-15	EV 06-10-15
CAT NO. <b>JBX2INSFS</b>		REV A RELEASED PER ECN 12264		TJS 03-10-15	EV 03-10-15
CAGE NO: 09922		SIZE: B		BY DATE	CHKD DATE
<b>CUSTOMER</b>		<b>SOURIAU</b>		DRAWN: TJS 02-04-15	
				CHKD : EV 02-04-15	
<b>WWW.SOURIAU.COM</b>		INTERPRET THIS DRAWING IN ACCORDANCE WITH ASME Y14.5M - 1994.		DSGN : EV 02-04-15	
				MFG : DH 02-04-15	
1		PRO-E		QC : BB 02-04-15	
				DRAWING SCALE: NA	
1 OF 3		1		DRAWING NO. REV	
				JBX2INSFSC B	

B

A

2

1

THIS DRAWING IS A CONTROLLED DOCUMENT FOR SOURIAU USA, INC. IT IS SUBJECT TO CHANGE WITHOUT NOTICE. CONTACT THE DOCUMENT CONTROL CENTER FOR THE LATEST REVISION.

THE INFORMATION CONTAINED IN THIS DRAWING IS CONFIDENTIAL AND MAY NOT BE DISCLOSED WITHOUT WRITTEN CONSENT FROM SOURIAU USA, INC.

2

1

DWG. NO. JBX2INSFSC

CONTACT LAYOUT	06	07	08	10
FRONT SIDE VIEW				
REAR SIDE VIEW				
CONTACT				
ISO VIEW				

CONTACT	ØC	1.3	1.3	0.9	0.9
	ØF	1.1	1.1	0.8	0.8
	MAX. AWG	20	20	24	24
	MAX. CURRENT RATING (A)	15	15	10	10
INSULATOR	CONTACT RESISTANCE (mΩ)	3	3	3.5	3.5
	NUMBER OF CAVITY	6	7	8	10
	MAX. CURRENT RATING	12	11	10	8
	TEST VOLTAGE (Vrms)	1900	1500	1700	1700
WORKING VOLTAGE (Vdc/Vrms)	900/630	730/500	830/560	830/560	

DRAWING TITLE  
**JBX, SIZE 2, FEMALE INSULATOR, SOLDER CONTACT**

CAT. NO. **JBX2INSFS**

CAGE NO: 09922	SIZE: B	APPROVAL	DRAWN: TJS 02-04-15
<b>CUSTOMER</b>	<b>SOURIAU</b>	CHKD : EV 02-04-15	DRAWING SCALE: NA
		DSGN : EV 02-04-15	DRAWING NO. REV
		MFG : DH 02-04-15	JBX2INSFSC B
INTERPRET THIS DRAWING IN ACCORDANCE WITH ASME Y14.5M - 1994.		QC : BB 02-04-15	2 OF 3
<b>WWW.SOURIAU.COM</b>			

LINEAR MEASURE:	
THIRD ANGLE PROJECTION	
TOLERANCES UNLESS OTHERWISE SPECIFIED	
No. OF PLACES	mm [INCH]
ONE PLACE	±3 [±.1]
TWO PLACES	±0.5 [±.02]
THREE PLACES	±0.25 [±.010]
ANGLES ±1°	

B

A

2

1

PRO-E

THIS DRAWING IS A CONTROLLED DOCUMENT FOR SOURIAU USA, INC. IT IS SUBJECT TO CHANGE WITHOUT NOTICE. CONTACT THE DOCUMENT CONTROL CENTER FOR THE LATEST REVISION.

THE INFORMATION CONTAINED IN THIS DRAWING IS CONFIDENTIAL AND MAY NOT BE DISCLOSED WITHOUT WRITTEN CONSENT FROM SOURIAU USA, INC.

2

1

DWG. NO. JBX2INSFSC						
<b>CONTACT LAYOUT</b>	<b>12</b>	<b>16</b>	<b>18</b>	<b>19</b>		
FRONT SIDE VIEW						
REAR SIDE VIEW						
CONTACT						
ISO VIEW						
CONTACT	ØC	0.7	0.7	0.7	0.7	
	ØF	0.81	0.81	0.81	0.81	
	MAX. AWG	22	22	22	22	
	MAX. CURRENT RATING (A)	7	7	7	7	
	CONTACT RESISTANCE (mΩ)	5	5	5	5	
	NUMBER OF CAVITY	12	16	18	19	
	INSULATOR	MAX. CURRENT RATING	7	6	5.5	5
	TEST VOLTAGE (Vrms)	1700	1500	1400	1400	
WORKING VOLTAGE (Vdc/Vrms)	830/560	730/500	660/460	660/460		
DRAWING TITLE <b>JBX, SIZE 2, FEMALE INSULATOR, SOLDER CONTACT</b>						
CAT. NO. <b>JBX2INSFS</b>						
		CAGE NO: 09922	SIZE: B			
<b>CUSTOMER</b>		<b>SOURIAU</b>				
		<b>WWW.SOURIAU.COM</b>				
INTERPRET THIS DRAWING IN ACCORDANCE WITH ASME Y14.5M - 1994.						
		DRAWING SCALE: NA		DRAWING NO. REV		
		JBX2INSFSC		B		
		3 OF 3				

B

A

2

1

PRO-E

## X-ON Electronics

Largest Supplier of Electrical and Electronic Components

*Click to view similar products for [Circular Push Pull Connectors](#) category:*

*Click to view products by [Sunbank](#) manufacturer:*

Other Similar products are found below :

[6407-249V-11273P](#) [6408-201V-13273](#) [6408-202V-13343](#) [6408-202V-17343](#) [EZG.0B.309.CLN](#) [FFA.2S.310.ZLA](#) [FGA.1B.307.CYCD72Z](#)  
[FGJ.1B.304.CLLD76](#) [FGJ.1B.306.CWLD72](#) [FGJ.3B.304.CYMD82Z](#) [FHG.1B.303.CYCZ](#) [PCS.01.250.DLLE24](#) [PHG.0K.305.CYMC40Z](#)  
[PHG.1K.308.CLLK85](#) [PKG.M0.6BL.LZ](#) [PLC.M1.0SL.LA](#) [GMA.10.290.DN](#) [GMA.3B.090.DA](#) [PRG.M0.6GL.LC52GZ](#) [PSA.1S.275.CTLC66](#)  
[ABF.1S.250.NTA](#) [133020F](#) [1331ER193MZ](#) [1332M107MZ](#) [EAJ.1B.306.CWA](#) [ECG.XB.312.CLL](#) [1589430-2](#) [ELF.00.250.NTL](#)  
[BRR.2S.200.PZVG](#) [HR10A-P](#) [CAH.M34.SLL.C72GZ](#) [CAJ.M34.SLL.C72GZ](#) [300500](#) [EXG.0B.309.HLN](#) [FFA.2E.302.CLAC80Z](#)  
[FFB.1S.250.CLAC27](#) [FGA.2B.306.CYCD92Z](#) [FGJ.2B.302.CYMD62Z](#) [FGJ.2B.307.CLLD99](#) [FGJ.3B.308.CLLD72Z](#) [FHG.1B.303.CYCD62](#)  
[FLC.00.250.CTAC31](#) [PCS.01.250.DLLE31](#) [PHG.2K.310.CYMC80](#) [PKA.M1.0TL.LG](#) [PKC.M0.7GL.NG](#) [PKG.M0.4TL.LZ](#) [PPG.M1.0GG.N](#)  
[PRG.M0.4GL.LC39GZ](#) [PXG.M0.8GG.NG](#)