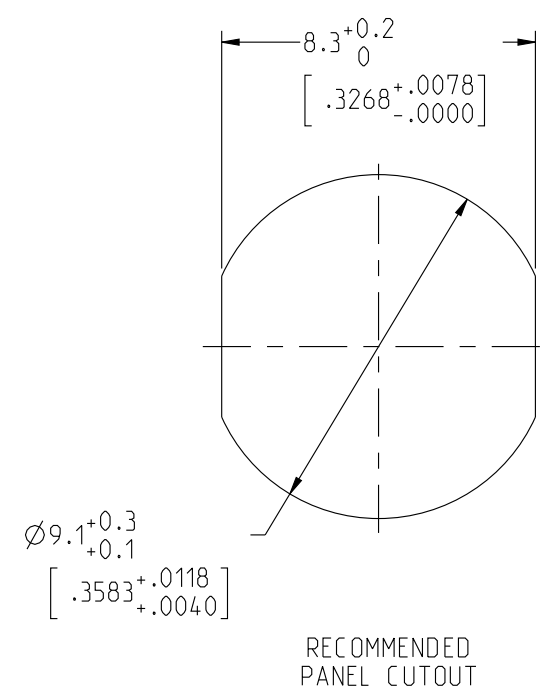


**JBXEROC**

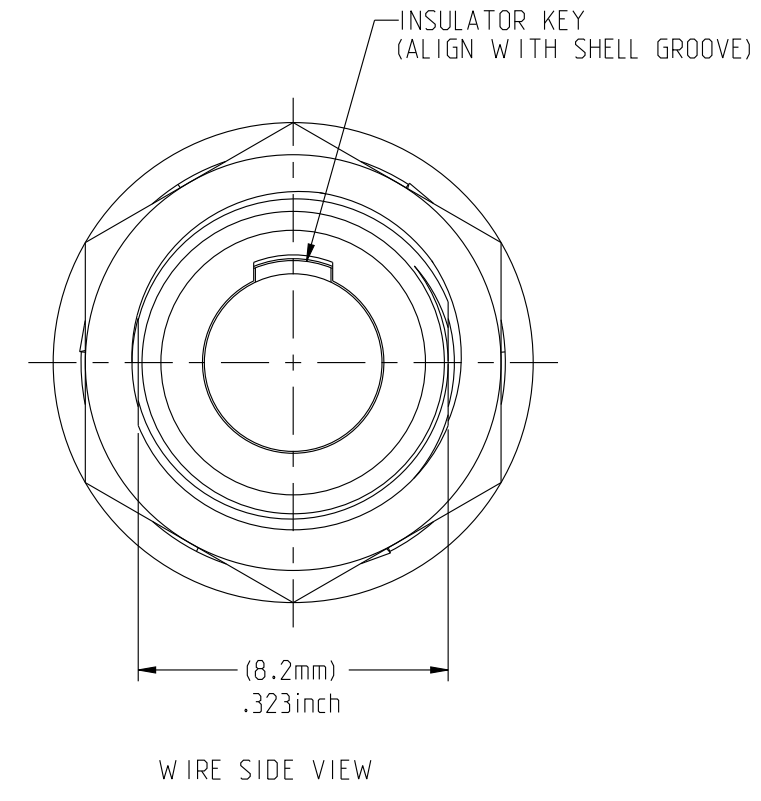
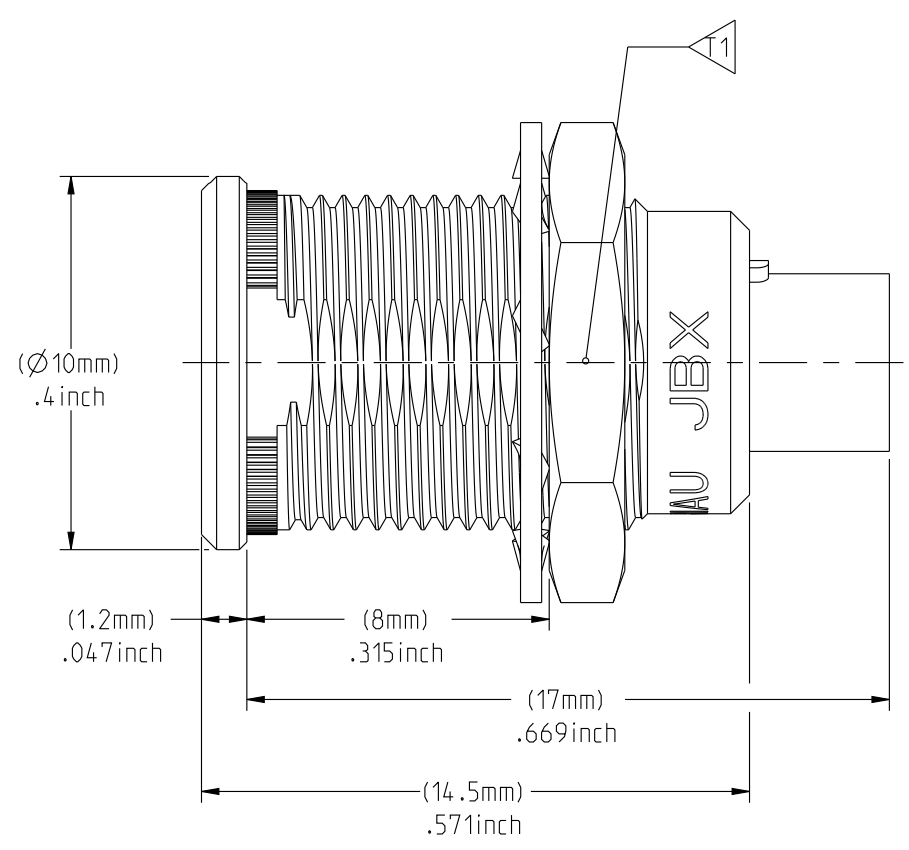
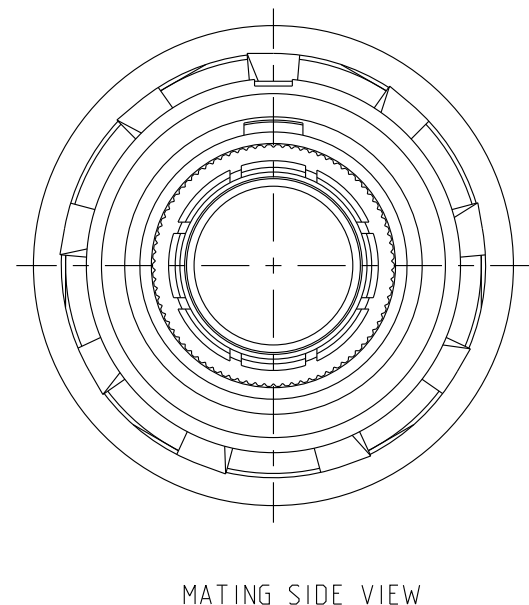
MASS (g)	VOLUME (mm <sup>3</sup> )
3.7	703

**ELECTRICAL :**  
 EMI SHIELDING : SHIELDED FOR THE RANGE 55dB UP TO 100MHZ  
 INSULATION RESISTANCE : >500MΩ PER ANSI-EIA-364-D METHOD 21  
 MAX. CURRENT RATING : SEE INSULATOR DRAWING  
 CONNECTOR TESTING : SEE INSULATOR DRAWING  
 VOLTAGE :  
 CONNECTOR WORKING : SEE INSULATOR DRAWING  
 VOLTAGE :

**ENVIRONMENTAL :**  
 ENDURANCE: 1000 CYCLES AS PER MIL-STD 1344A, METHOD 2016.1  
 SHOCK: 50 g , DURATION 6 ms; AS PER MIL-STD 1344A, METHOD 2004.1  
 VIBRATIONS: 10 TO 2000Hz g = 20g, AS PER MIL-STD 1344A, METHOD 2005.1  
 PROTECTION INDEX: IP 40 AS PER IEC 529  
 ROHS COMPLIANT  
 SALT MIST : 48Hr PER SAE AS 1344 METHOD 1001.1 CEI 529  
 OPERATING TEMPERATURE: -55°C TO +125°C (-67°F TO +257°F)

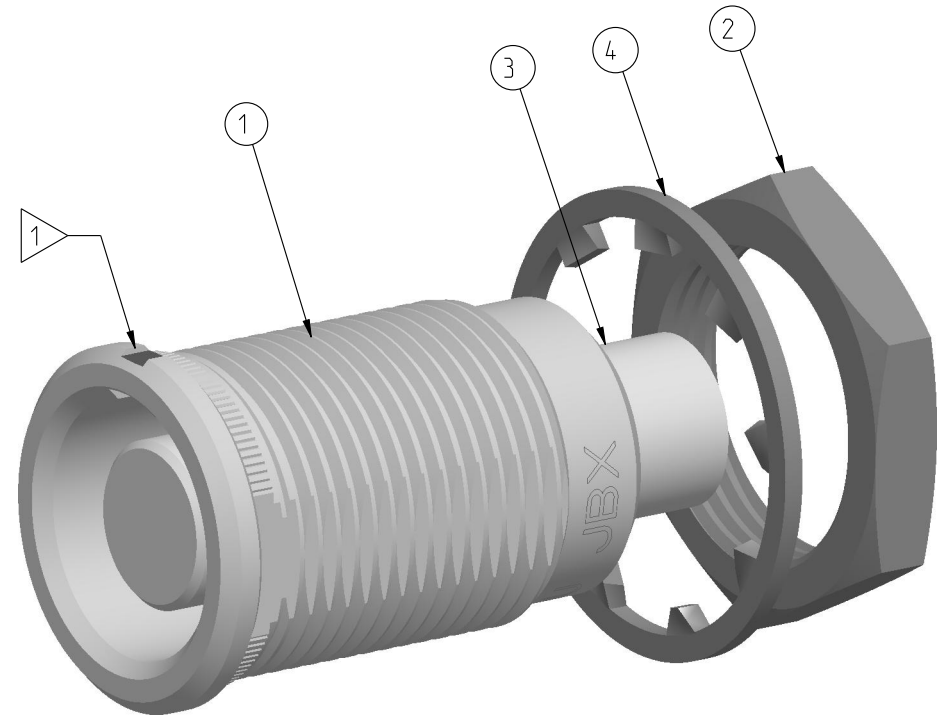


**NOTES:**  
 1 RED BAND  
**MATERIAL:**  
 OUTER SHELL & NUT : BRASS  
 SHIELD RING :  
**FINISH:**  
 OUTER SHELL : CHROME  
 OTHER BRASS PARTS : NICKEL  
**TOOLS**



PART LIST	
ITEM NO.	DESCRIPTION
1	SHELL
2	HEX NUT
3	INSULATOR
4	LOCK WASHER

	TOOLS (JAW DIMENSION)	ADVISED TORQUE IN Nm
1	11	0.7



THE INFORMATION CONTAINED IN THIS DRAWING IS CONFIDENTIAL AND MAY NOT BE DISCLOSED WITHOUT WRITTEN CONSENT FROM SOURIAU USA, INC.

CATALOG NUMBER	DESCRIPTION
<b>JBX ER 0 XXXXXDXR</b>	
<b>BASIC SERIES</b>	<b>OPTION</b>
<b>SHELL TYPE</b>	<b>INSERT MATERIAL</b>
<b>SHELL SIZE</b>	<b>COLLET OPTION</b>
<b>KEYING</b>	<b>SURFACE PLATING</b>
<b>SEE INSULATOR DRAWING</b>	

**DRAWING TITLE**  
**JBX, SIZE O, FRONT PANEL MOUNTING RECEPTACLE**

CAT NO. **JBXERO**

CAGE NO: 09922 SIZE: C

**CUSTOMER**

**SOURIAU**  
 WWW.SOURIAU.COM

APPROVAL  
 DRAWN: TJS 01-07-15  
 CHKD : EV 01-07-15  
 DSGN : EV 01-07-15  
 MFG : DH 01-07-15  
 QC : BB 01-07-15  
 DRAWING SCALE: 5:1  
 DRAWING NO. REV  
**JBXEROC** A

1 OF 1

PRO-E

LINEAR MEASURE:  $\frac{mm}{INCH}$   $\frac{mm}{(INCH)}$

THIRD ANGLE PROJECTION

TOLERANCES UNLESS OTHERWISE SPECIFIED

No. OF PLACES	mm [INCH]
WHOLE No.	±0.5 [±.02]
ONE PLACE	±0.2 [±.008]
TWO PLACES	±0.1 [±.004]
ANGLES ±1°	

THIS DRAWING IS A CONTROLLED DOCUMENT FOR SOURIAU USA, INC. IT IS SUBJECT TO CHANGE WITHOUT NOTICE. CONTACT THE DOCUMENT CONTROL CENTER FOR THE LATEST REVISION.

THE INFORMATION CONTAINED IN THIS DRAWING IS CONFIDENTIAL AND MAY NOT BE DISCLOSED WITHOUT WRITTEN CONSENT FROM SOURIAU USA, INC.

2

1

DWG. NO. JBXOINSFCC	<b>FEMALE INSULATOR, CRIMP CONTACT</b>					
<b>CONTACT LAYOUT</b>	<b>02</b>	<b>03</b>	<b>04</b>	<b>05</b>		
FRONT SIDE VIEW						
REAR SIDE VIEW						
CONTACT						
ISO VIEW						
	ØC	0.9	0.9	0.7	0.7	
	ØF	1.1	1.1	0.85	0.85	
	MAX. AWG	20	20	22	22	
	MAX. CURRENT RATING (A)	10	10	7	7	
	CONTACT RESISTANCE (mΩ)	3.5	3.5	5	5	
	NUMBER OF CAVITY	2	3	4	5	
	MAX. CURRENT RATING	10	8	7	6.5	
	TEST VOLTAGE (Vrms)	1400	1300	1350	800	
	WORKING VOLTAGE (Vdc/Vrms)	660/460	600/420	660/460	400/260	

**CONTACT TYPE :** F (FEMALE)  
**CONTACT TERMINATION :** C (CRIMP)

**MATERIAL :**  
 CONTACT: CUPRO-NICKEL  
 CLIP: COPPER ALLOY  
 INSULATOR: PEEK  
 FINISH: GOLD  
 CONTACTS : GOLD

**INSULATOR KEY**

**CATALOG NUMBER DESCRIPTION**

**JBXXX 0 X YY F C XXXX**

**BASIC SERIES** ———— **OPTION**  
**SHELL TYPE** ———— **INSERT MATERIAL**  
**SHELL SIZE** ———— **COLLET OPTION**  
**KEYING** ———— **SURFACE PLATING**  
**CONTACT LAYOUT** ———— **CONTACT TERMINATION**  
————— **CONTACT TYPE**

B	REVISED PER ECN 12286	RSK 06-10-15	EV 06-10-15
A	RELEASED PER ECN 12264	TJS 03-10-15	EV 03-10-15
REV	DESCRIPTION	BY DATE	CHKD DATE

DRAWING TITLE  
**JBX, SIZE 0, FEMALE INSULATOR, CRIMP CONTACT**

CAT. NO. **JBXOINSFC**

CAGE NO: 09922    SIZE: B

<b>CUSTOMER</b>	<b>SOURIAU</b>
WWW.SOURIAU.COM	1 OF 1

B

A

2

1

PRO-E

LINEAR MEASURE:  mm (INCH)	
THIRD ANGLE PROJECTION	
TOLERANCES UNLESS OTHERWISE SPECIFIED	
No. OF PLACES	mm [INCH]
ONE PLACE	±3 [±.1]
TWO PLACES	±0.5 [±.02]
THREE PLACES	±0.25 [±.010]
ANGLES ±1°	

INTERPRET THIS DRAWING IN ACCORDANCE WITH ASME Y14.5M - 1994.

## X-ON Electronics

Largest Supplier of Electrical and Electronic Components

*Click to view similar products for [Circular Push Pull Connectors](#) category:*

*Click to view products by [Sunbank](#) manufacturer:*

Other Similar products are found below :

[6407-249V-11273P](#) [6408-201V-13273](#) [6408-202V-13343](#) [6408-202V-17343](#) [EZG.0B.309.CLN](#) [FFA.2S.310.ZLA](#) [FGJ.1B.304.CLLD76](#)  
[FGJ.1B.306.CWLD72](#) [FGJ.3B.304.CYMD10Z](#) [FGJ.3B.304.CYMD82Z](#) [FHG.1B.303.CYCZ](#) [PCS.01.250.DLLE24](#) [PHG.0K.305.CYMC40Z](#)  
[PHG.1K.308.CLLK85](#) [PKG.M0.6BL.LZ](#) [PLC.M1.0SL.LA](#) [GMA.10.290.DN](#) [GMA.3B.090.DA](#) [PRG.M0.6GL.LC52GZ](#) [PSA.1S.275.CTLC66](#)  
[ABF.1S.250.NTA](#) [133020F](#) [1331ER193MZ](#) [1332M107MZ](#) [DTS26Z19-32JA-LC](#) [DTS26Z19-32SA](#) [DTS26Z19-32SA-LC](#) [EAJ.1B.306.CWA](#)  
[ECG.XB.312.CLL](#) [1589430-2](#) [EEA.0B.305.CLN](#) [EEA.0B.309.CLL](#) [ELF.00.250.NTL](#) [BRR.2S.200.PZVG](#) [HR10A-P](#) [CAH.M34.SLL.C72GZ](#)  
[CAJ.M34.SLL.C72GZ](#) [300500](#) [EXG.0B.309.HLN](#) [FFB.1S.250.CLAC27](#) [FGA.2B.306.CYCD92](#) [FGA.2B.306.CYCD92Z](#)  
[FGJ.3B.308.CLLD72Z](#) [FHG.1B.303.CYCD62](#) [FLC.00.250.CTAC27](#) [FLC.00.250.CTAC31](#) [PCS.01.250.DLLE31](#) [PKA.M1.0TL.LG](#)  
[PKC.M0.7GL.NG](#) [PKG.M0.4TL.LZ](#)