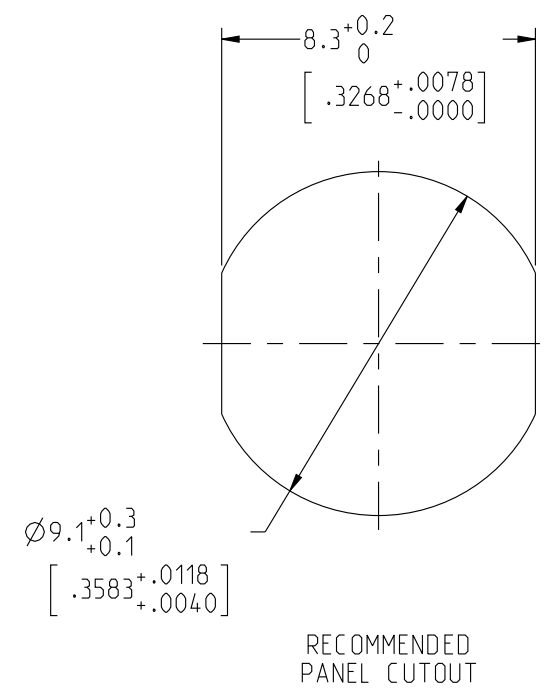


**JBXEROC**

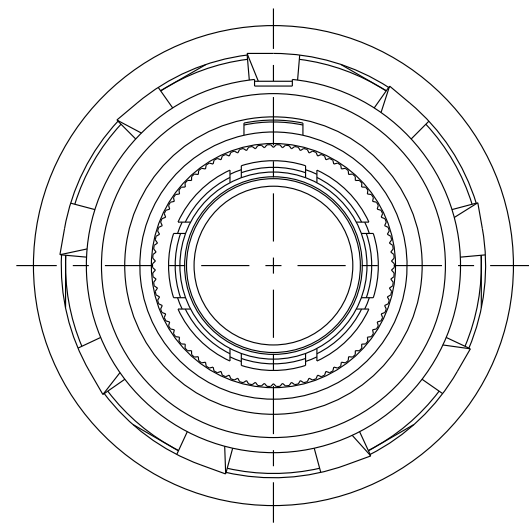
MASS (g)	VOLUME (mm <sup>3</sup> )
3.7	703

**ELECTRICAL :**  
 EMI SHIELDING : SHIELDED FOR THE RANGE 55dB UP TO 100MHZ  
 INSULATION RESISTANCE : >500MΩ PER ANSI-EIA-364-D METHOD 21  
 MAX. CURRENT RATING : SEE INSULATOR DRAWING  
 CONNECTOR TESTING : SEE INSULATOR DRAWING  
 VOLTAGE :  
 CONNECTOR WORKING : SEE INSULATOR DRAWING  
 VOLTAGE :

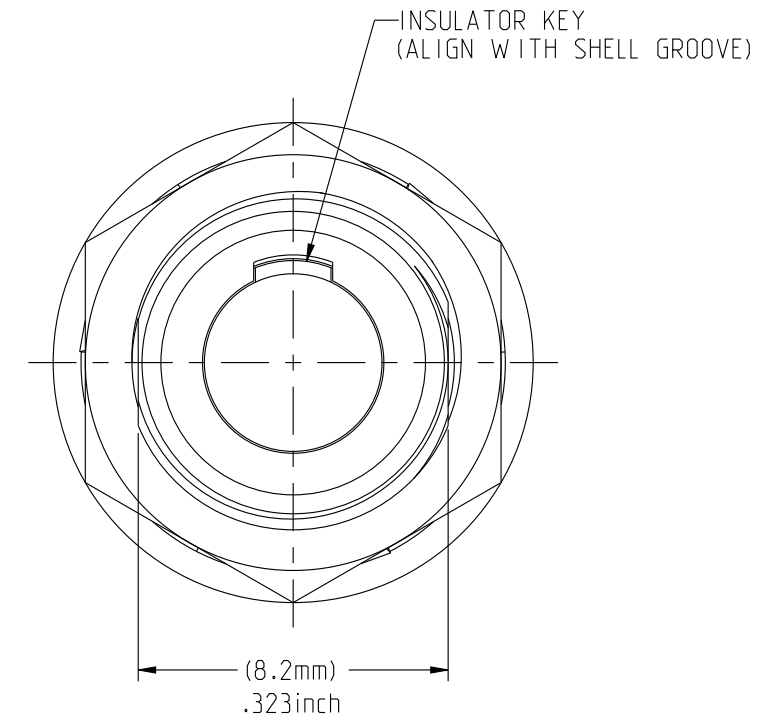
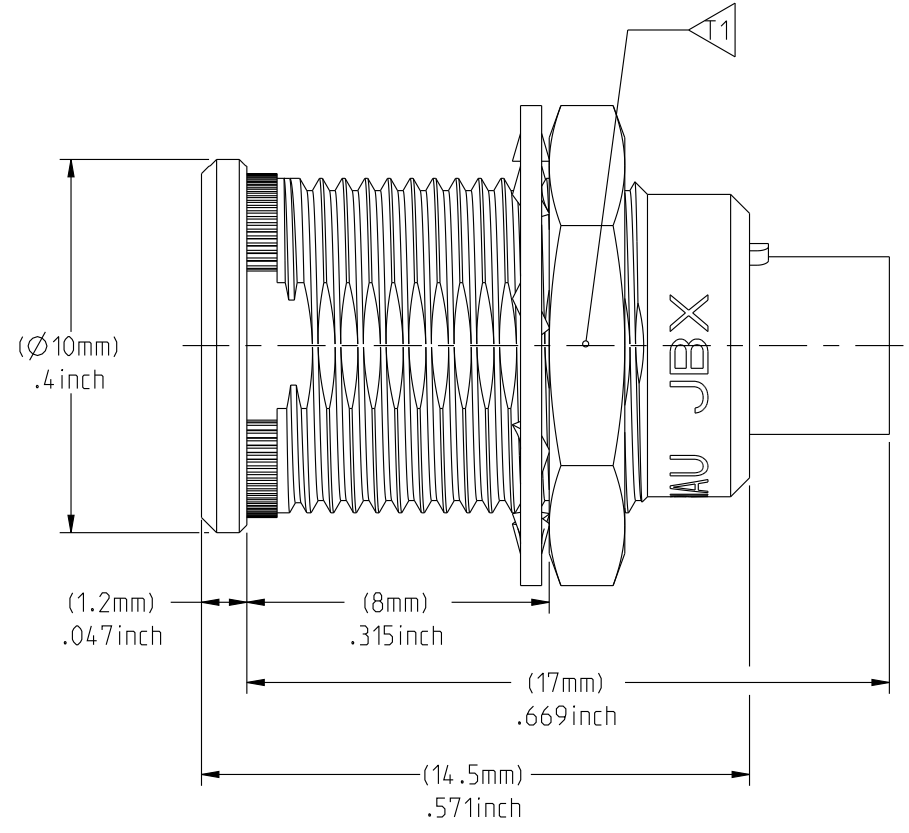
**ENVIRONMENTAL :**  
 ENDURANCE: 1000 CYCLES AS PER MIL-STD 1344A, METHOD 2016.1  
 SHOCK: 50 g , DURATION 6 ms; AS PER MIL-STD 1344A, METHOD 2004.1  
 VIBRATIONS: 10 TO 2000Hz g = 20g, AS PER MIL-STD 1344A, METHOD 2005.1  
 PROTECTION INDEX: IP 40 AS PER IEC 529  
 ROHS COMPLIANT  
 SALT MIST : 48Hr PER SAE AS 1344 METHOD 1001.1 CEI 529  
 OPERATING TEMPERATURE: -55°C TO +125°C (-67°F TO +257°F)



**NOTES:**  
 1 RED BAND  
**MATERIAL:**  
 OUTER SHELL & NUT : BRASS  
 SHIELD RING :  
**FINISH:**  
 OUTER SHELL : CHROME  
 OTHER BRASS PARTS : NICKEL  
**TOOLS**

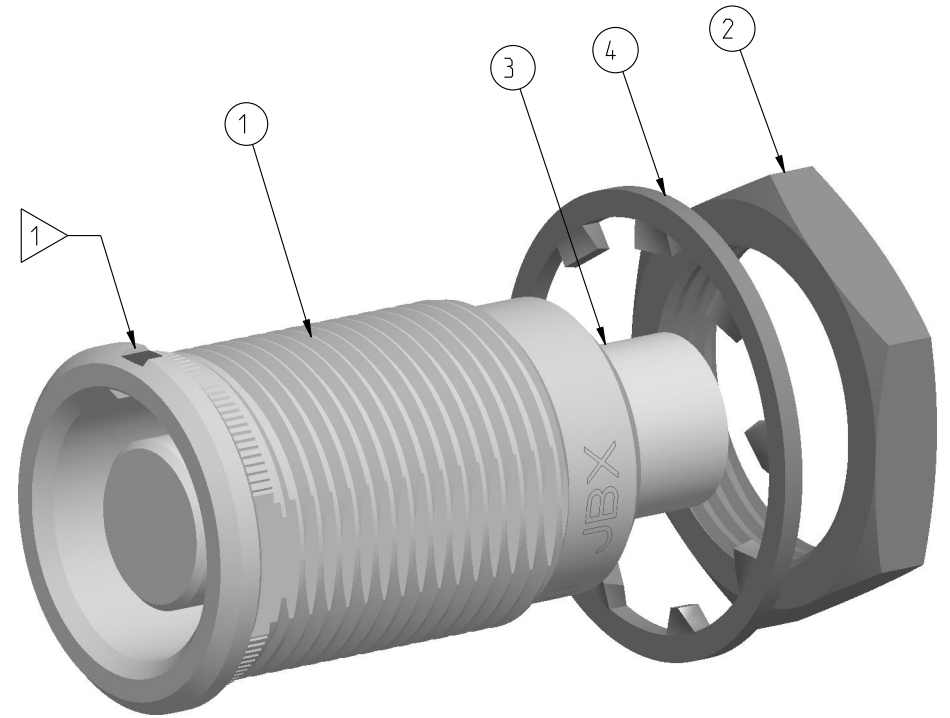


MATING SIDE VIEW



WIRE SIDE VIEW

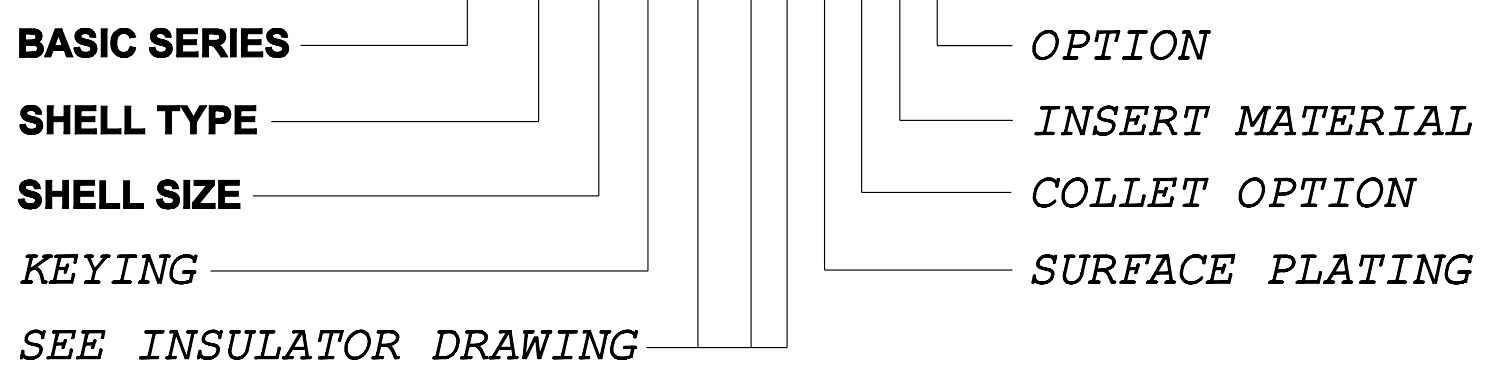
PART LIST	
ITEM NO.	DESCRIPTION
1	SHELL
2	HEX NUT
3	INSULATOR
4	LOCK WASHER



	TOOLS (JAW DIMENSION)	ADVISED TORQUE IN Nm
11	11	0.7

**CATALOG NUMBER DESCRIPTION**

**JBX ER 0 XXXXXDXR**



**DRAWING TITLE**  
**JBX, SIZE O, FRONT PANEL MOUNTING RECEPTACLE**

CAT NO. **JBXERO**

CAGE NO: 09922 SIZE: C

**CUSTOMER**

**SOURIAU**  
 WWW.SOURIAU.COM

APPROVAL  
 DRAWN: TJS 01-07-15  
 CHKD : EV 01-07-15  
 DSGN : EV 01-07-15  
 MFG : DH 01-07-15  
 QC : BB 01-07-15  
 DRAWING SCALE: 5:1  
 DRAWING NO. REV  
**JBXEROC** A

1 OF 1

LINEAR MEASURE:  $\frac{mm}{INCH}$   $\frac{mm}{(INCH)}$

THIRD ANGLE PROJECTION

TOLERANCES UNLESS OTHERWISE SPECIFIED

No. OF PLACES	mm [INCH]
WHOLE No.	±0.5 [±.02]
ONE PLACE	±0.2 [±.008]
TWO PLACES	±0.1 [±.004]

ANGLES ±1°

THE INFORMATION CONTAINED IN THIS DRAWING IS CONFIDENTIAL AND MAY NOT BE DISCLOSED WITHOUT WRITTEN CONSENT FROM SOURIAU USA, INC.

THIS DRAWING IS A CONTROLLED DOCUMENT FOR SOURIAU USA, INC. IT IS SUBJECT TO CHANGE WITHOUT NOTIFICATION. CONTACT THE DOCUMENT CONTROL CENTER FOR THE LATEST REVISION.



THIS DRAWING IS A CONTROLLED DOCUMENT FOR SOURIAU USA, INC. IT IS SUBJECT TO CHANGE WITHOUT NOTICE. CONTACT THE DOCUMENT CONTROL CENTER FOR THE LATEST REVISION.

THE INFORMATION CONTAINED IN THIS DRAWING IS CONFIDENTIAL AND MAY NOT BE DISCLOSED WITHOUT WRITTEN CONSENT FROM SOURIAU USA, INC.

2

1

DWG. NO. JBX0INSFSC					
<b>CONTACT LAYOUT</b>	<b>05</b>	<b>06</b>	<b>07</b>	<b>08</b>	
FRONT SIDE VIEW					
REAR SIDE VIEW					
CONTACT					
ISO VIEW					
	ØC	0.7	0.5	0.5	0.5
	ØF	0.81	0.5	0.5	0.5
	MAX. AWG	22	28	28	28
	MAX. CURRENT RATING (A)	7	5	5	5
	CONTACT RESISTANCE (mΩ)	5	10	10	10
	NUMBER OF CAVITY	5	6	7	8
	MAX. CURRENT RATING	6.5	2.5	2.5	2
	TEST VOLTAGE (Vrms)	800	680	680	680
	WORKING VOLTAGE (Vdc/Vrms)	400/260	320/220	320/220	190/130

B

A

DRAWING TITLE  
**JBX, SIZE O, FEMALE INSULATOR, SOLDER CONTACT**  
CAT. NO. **JBX0INSFS**

CAGE NO: 09922    SIZE: B

**CUSTOMER**

INTERPRET THIS DRAWING IN ACCORDANCE WITH ASME Y14.5M - 1994.

**SOURIAU**

[WWW.SOURIAU.COM](http://WWW.SOURIAU.COM)

APPROVAL	DRAWN: TJS 02-04-15
	CHKD : EV 02-04-15
	DSGN : EV 02-04-15
	MFG : DH 02-04-15
	QC : BB 02-04-15
DRAWING SCALE: NA	
DRAWING NO. REV	
JBX0INSFSC	B
2 OF 2	

LINEAR MEASURE: mm (INCH)

THIRD ANGLE PROJECTION

TOLERANCES UNLESS OTHERWISE SPECIFIED

No. OF PLACES	mm [INCH]
ONE PLACE	±3 [±.1]
TWO PLACES	±0.5 [±.02]
THREE PLACES	±0.25 [±.010]
ANGLES ±1°	

2

1

PRO-E

## X-ON Electronics

Largest Supplier of Electrical and Electronic Components

*Click to view similar products for [Circular Push Pull Connectors](#) category:*

*Click to view products by [Sunbank](#) manufacturer:*

Other Similar products are found below :

[6407-249V-11273P](#) [6408-201V-13273](#) [6408-202V-13343](#) [6408-202V-17343](#) [EZG.0B.309.CLN](#) [FFA.2S.310.ZLA](#) [FGJ.1B.304.CLLD76](#)  
[FGJ.1B.306.CWLD72](#) [FGJ.3B.304.CYMD10Z](#) [FGJ.3B.304.CYMD82Z](#) [FHG.1B.303.CYCZ](#) [PCS.01.250.DLLE24](#) [PHG.0K.305.CYMC40Z](#)  
[PHG.1K.308.CLLK85](#) [PKG.M0.6BL.LZ](#) [PLC.M1.0SL.LA](#) [GMA.10.290.DN](#) [GMA.3B.090.DA](#) [PRG.M0.6GL.LC52GZ](#) [PSA.1S.275.CTLC66](#)  
[ABF.1S.250.NTA](#) [133020F](#) [1331ER193MZ](#) [1332M107MZ](#) [DTS26Z19-32JA-LC](#) [DTS26Z19-32SA](#) [DTS26Z19-32SA-LC](#) [EAJ.1B.306.CWA](#)  
[ECG.XB.312.CLL](#) [1589430-2](#) [EEA.0B.305.CLN](#) [EEA.0B.309.CLL](#) [ELF.00.250.NTL](#) [BRR.2S.200.PZVG](#) [HR10A-P](#) [CAH.M34.SLL.C72GZ](#)  
[CAJ.M34.SLL.C72GZ](#) [300500](#) [ESB.00.303.NLL](#) [EXG.0B.309.HLN](#) [FFB.1S.250.CLAC27](#) [FGA.2B.306.CYCD92](#) [FGA.2B.306.CYCD92Z](#)  
[FGJ.3B.308.CLLD72Z](#) [FHG.1B.303.CYCD62](#) [FLC.00.250.CTAC27](#) [FLC.00.250.CTAC31](#) [PCS.01.250.DLLE31](#) [PKA.M1.0TL.LG](#)  
[PKC.M0.7GL.NG](#)