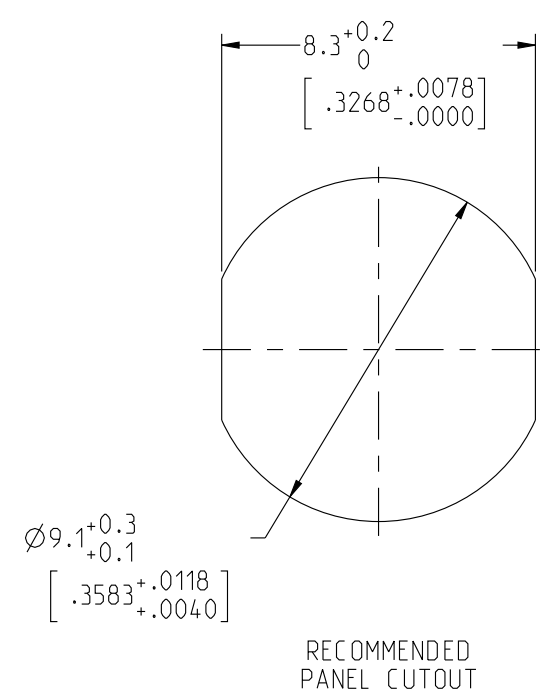


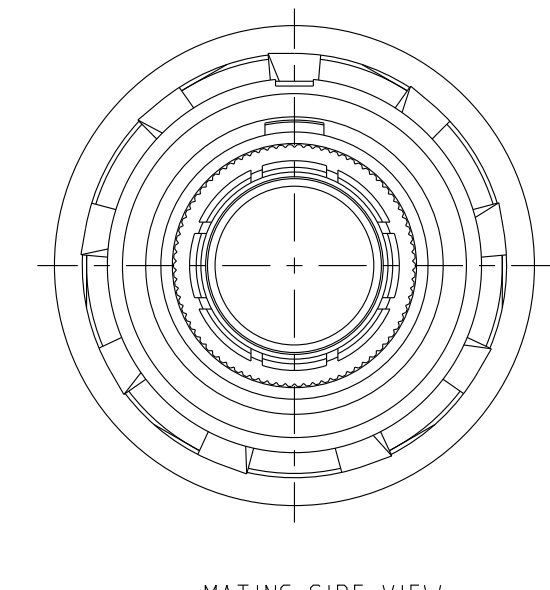
**JBXEROC**

MASS (g)	VOLUME (mm <sup>3</sup> )
3.7	703

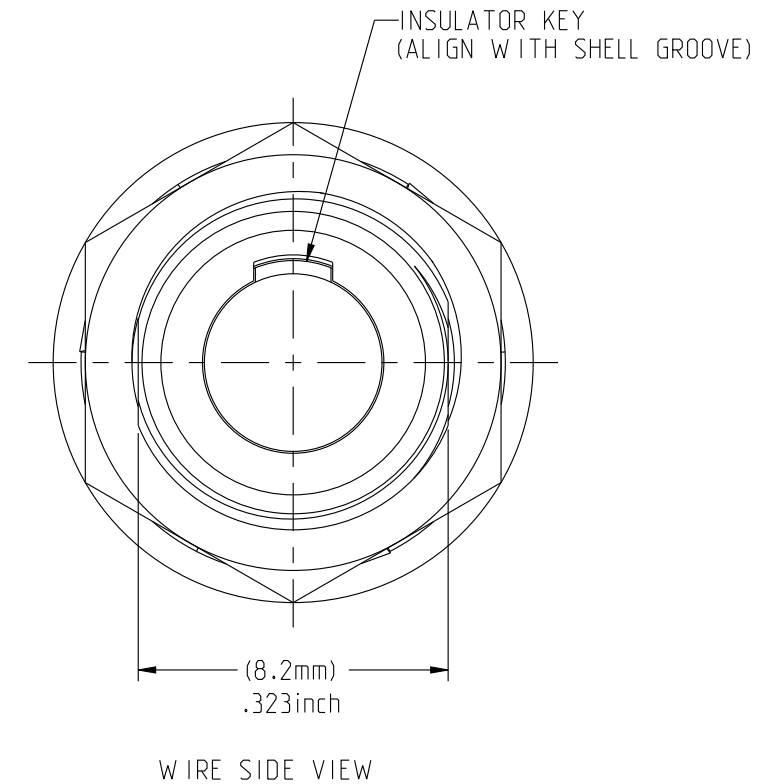
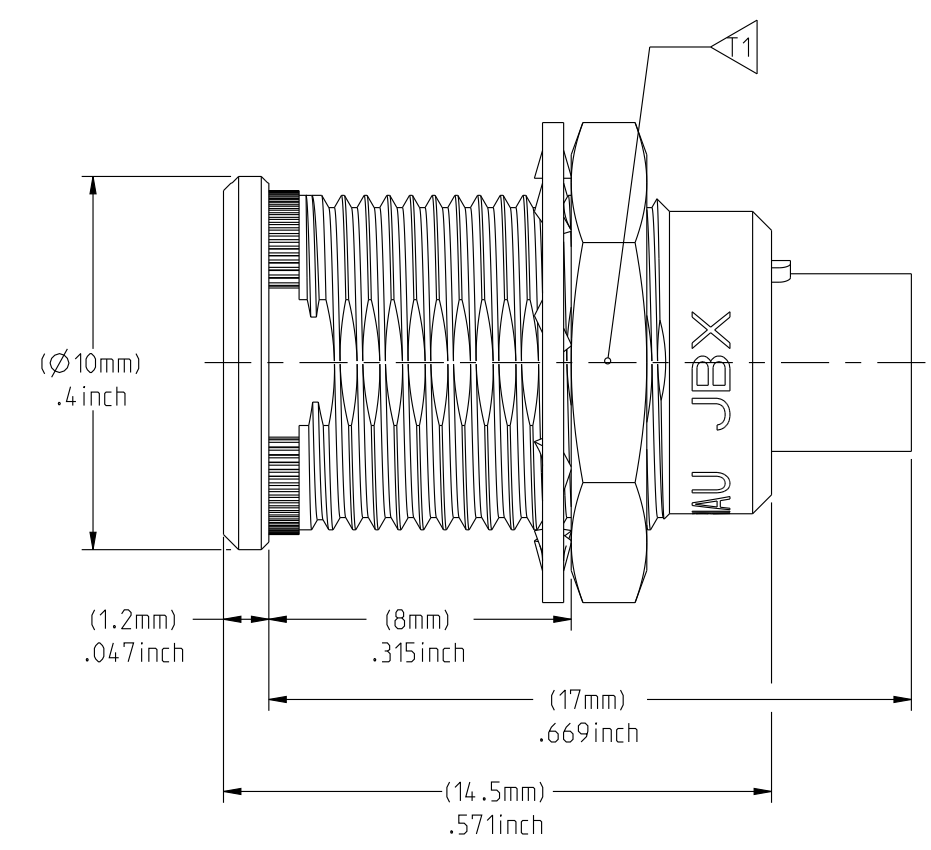
**ELECTRICAL :**  
 EMI SHIELDING : SHIELDED FOR THE RANGE 55dB UP TO 100MHZ  
 INSULATION RESISTANCE : >500MΩ PER ANSI-EIA-364-D METHOD 21  
 MAX. CURRENT RATING : SEE INSULATOR DRAWING  
 CONNECTOR TESTING : SEE INSULATOR DRAWING  
 VOLTAGE :  
 CONNECTOR WORKING : SEE INSULATOR DRAWING  
 VOLTAGE :  
**ENVIRONMENTAL :**  
 ENDURANCE: 1000 CYCLES AS PER MIL-STD 1344A, METHOD 2016.1  
 SHOCK: 50 g , DURATION 6 ms; AS PER MIL-STD 1344A, METHOD 2004.1  
 VIBRATIONS: 10 TO 2000Hz g = 20g, AS PER MIL-STD 1344A, METHOD 2005.1  
 PROTECTION INDEX: IP 40 AS PER IEC 529  
 ROHS COMPLIANT  
 SALT MIST : 48Hr PER SAE AS 1344 METHOD 1001.1 CEI 529  
 OPERATING TEMPERATURE: -55°C TO +125°C (-67°F TO +257°F)



**NOTES:**  
 1 RED BAND  
**MATERIAL:**  
 OUTER SHELL & NUT : BRASS  
 SHIELD RING :  
**FINISH:**  
 OUTER SHELL : CHROME  
 OTHER BRASS PARTS : NICKEL  
**TOOLS**

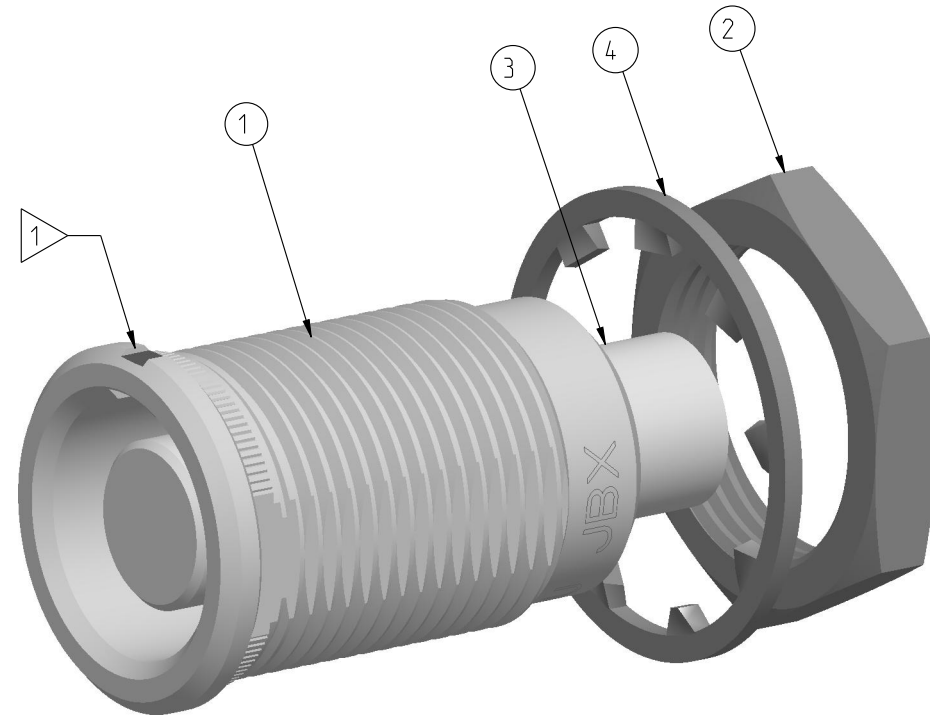


MATING SIDE VIEW



WIRE SIDE VIEW

PART LIST	
ITEM NO.	DESCRIPTION
1	SHELL
2	HEX NUT
3	INSULATOR
4	LOCK WASHER

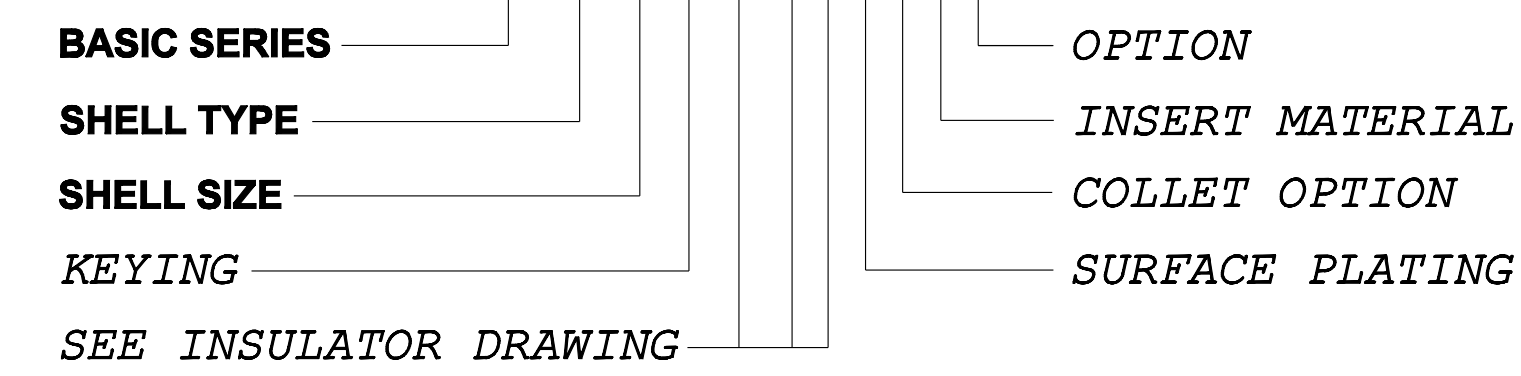


	TOOLS (JAW DIMENSION)	ADVISED TORQUE IN Nm
1	11	0.7

THE INFORMATION CONTAINED IN THIS DRAWING IS CONFIDENTIAL AND MAY NOT BE DISCLOSED WITHOUT WRITTEN CONSENT FROM SOURIAU USA, INC.

**CATALOG NUMBER DESCRIPTION**

**JBX ER 0 XXXXXDXR**



DRAWING TITLE		A	
<b>JBX, SIZE O, FRONT PANEL MOUNTING RECEPTACLE</b>		TJS	EV
CAT NO. <b>JBXERO</b>		06-10-15	06-10-15
CAGE NO: 09922	SIZE: C	BY	CHKD
<b>CUSTOMER</b> INTERPRET THIS DRAWING IN ACCORDANCE WITH ASME Y14.5M - 1994.		DRAWN: TJS	01-07-15
		CHKD : EV	01-07-15
<b>SOURIAU</b> WWW.SOURIAU.COM		DSGN : EV	01-07-15
		MFG : DH	01-07-15
1 OF 1 <b>PRO-E</b>		QC : BB	01-07-15
		DRAWING SCALE: 5:1	REV
		<b>JBXEROC</b>	A

LINEAR MEASURE:	
mm (INCH)	mm (INCH)
THIRD ANGLE PROJECTION	
TOLERANCES UNLESS OTHERWISE SPECIFIED	
No. OF PLACES	mm [INCH]
WHOLE No.	±0.5 [±.02]
ONE PLACE	±0.2 [±.008]
TWO PLACES	±0.1 [±.004]
ANGLES ±1°	

THIS DRAWING IS A CONTROLLED DOCUMENT FOR SOURIAU USA, INC. IT IS SUBJECT TO CHANGE WITHOUT NOTICE. CONTACT THE DOCUMENT CONTROL CENTER FOR THE LATEST REVISION.

THE INFORMATION CONTAINED IN THIS DRAWING IS CONFIDENTIAL AND MAY NOT BE DISCLOSED WITHOUT WRITTEN CONSENT FROM SOURIAU USA, INC.

2

1

DWG. NO. JBXOINSFCC	<b>FEMALE INSULATOR, CRIMP CONTACT</b>				<p><b>CONTACT TYPE :</b> F (FEMALE)</p> <p><b>CONTACT TERMINATION :</b> C (CRIMP)</p> <p><b>MATERIAL :</b></p> <p>CONTACT: CUPRO-NICKEL</p> <p>CLIP: COPPER ALLOY</p> <p>INSULATOR: PEEK</p> <p>FINISH: GOLD</p> <p>CONTACTS : GOLD</p>	<b>B</b>
<b>CONTACT LAYOUT</b>	<b>02</b>	<b>03</b>	<b>04</b>	<b>05</b>		
FRONT SIDE VIEW						<b>A</b>
REAR SIDE VIEW						
CONTACT						
ISO VIEW						
CONTACT	ØC	0.9	0.9	0.7	0.7	
	ØF	1.1	1.1	0.85	0.85	
	MAX. AWG	20	20	22	22	
	MAX. CURRENT RATING (A)	10	10	7	7	
	CONTACT RESISTANCE (mΩ)	3.5	3.5	5	5	
INSULATOR	NUMBER OF CAVITY	2	3	4	5	
	MAX. CURRENT RATING	10	8	7	6.5	
	TEST VOLTAGE (Vrms)	1400	1300	1350	800	
	WORKING VOLTAGE (Vdc/Vrms)	660/460	600/420	660/460	400/260	

**CATALOG NUMBER DESCRIPTION**

**JBXXX 0 XYYFC XXXX**

<b>BASIC SERIES</b>		<b>OPTION</b>	
<b>SHELL TYPE</b>		<b>INSERT MATERIAL</b>	
<b>SHELL SIZE</b>		<b>COLLET OPTION</b>	
<b>KEYING</b>		<b>SURFACE PLATING</b>	
<b>CONTACT LAYOUT</b>		<b>CONTACT TERMINATION</b>	
		<b>CONTACT TYPE</b>	

REV	DESCRIPTION	BY	DATE	CHKD	DATE
B	REVISED PER ECN 12286	RSK	06-10-15	EV	06-10-15
A	RELEASED PER ECN 12264	TJS	03-10-15	EV	03-10-15

DRAWING TITLE  
**JBX, SIZE 0, FEMALE INSULATOR, CRIMP CONTACT**

CAT. NO. **JBXOINSFC**

CAGE NO: 09922	SIZE: B
----------------	---------

CUSTOMER

SOURIAU

WWW.SOURIAU.COM

DRAWN: TJS	02-04-15	CHKD : EV	02-04-15	DSGN : EV	02-04-15	MFG : DH	02-04-15	QC : BB	02-04-15
DRAWING SCALE: NA									
DRAWING NO. REV									
JBXOINSFCC					B				
1 OF 1									

2

1

PRO-E

## X-ON Electronics

Largest Supplier of Electrical and Electronic Components

*Click to view similar products for [Circular Push Pull Connectors](#) category:*

*Click to view products by [Sunbank](#) manufacturer:*

Other Similar products are found below :

[6407-249V-11273P](#) [6408-201V-13273](#) [6408-202V-13343](#) [6408-202V-17343](#) [EZG.0B.309.CLN](#) [FFA.2S.310.ZLA](#) [FGJ.1B.304.CLLD76](#)  
[FGJ.1B.306.CWLD72](#) [FGJ.3B.304.CYMD10Z](#) [FGJ.3B.304.CYMD82Z](#) [FHG.1B.303.CYCZ](#) [PCS.01.250.DLLE24](#) [PHG.0K.305.CYMC40Z](#)  
[PHG.1K.308.CLLK85](#) [PKG.M0.6BL.LZ](#) [PLC.M1.0SL.LA](#) [GMA.10.290.DN](#) [GMA.3B.090.DA](#) [PRG.M0.6GL.LC52GZ](#) [PSA.1S.275.CTLC66](#)  
[ABF.1S.250.NTA](#) [133020F](#) [1331ER193MZ](#) [1332M107MZ](#) [DTS26Z19-32JA-LC](#) [DTS26Z19-32SA](#) [DTS26Z19-32SA-LC](#) [EAJ.1B.306.CWA](#)  
[ECG.XB.312.CLL](#) [1589430-2](#) [EEA.0B.305.CLN](#) [EEA.0B.309.CLL](#) [ELF.00.250.NTL](#) [BRR.2S.200.PZVG](#) [HR10A-P](#) [CAH.M34.SLL.C72GZ](#)  
[CAJ.M34.SLL.C72GZ](#) [300500](#) [EXG.0B.309.HLN](#) [FFB.1S.250.CLAC27](#) [FGA.2B.306.CYCD92](#) [FGA.2B.306.CYCD92Z](#)  
[FGJ.3B.308.CLLD72Z](#) [FHG.1B.303.CYCD62](#) [FLC.00.250.CTAC27](#) [FLC.00.250.CTAC31](#) [PCS.01.250.DLLE31](#) [PKA.M1.0TL.LG](#)  
[PKC.M0.7GL.NG](#) [PKG.M0.4TL.LZ](#)