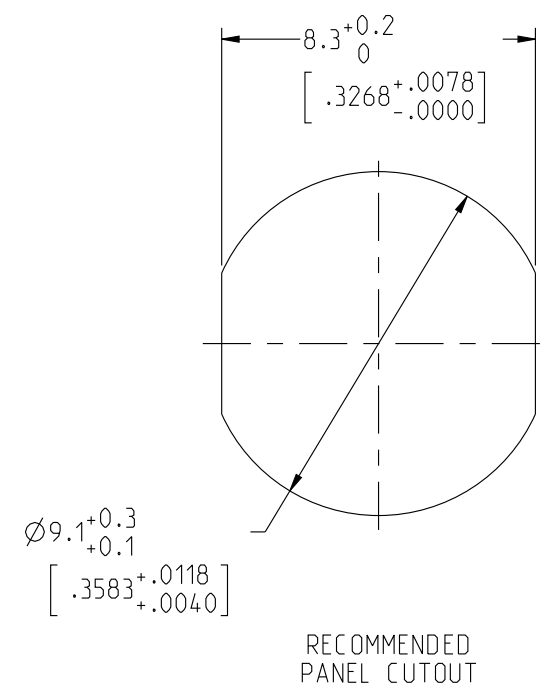


JBXEROC

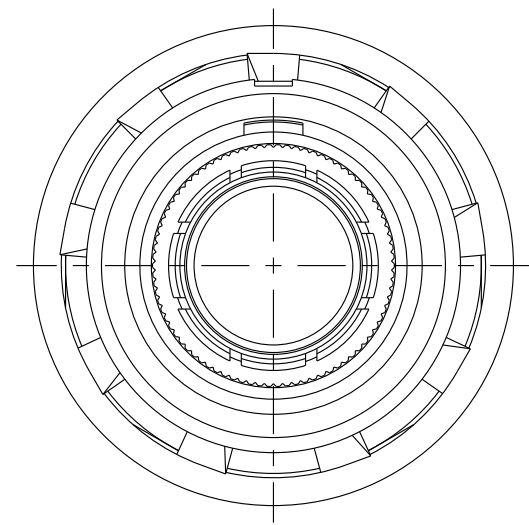
MASS (g)	VOLUME (mm ³)
3.7	703

ELECTRICAL :
 EMI SHIELDING : SHIELDED FOR THE RANGE 55dB UP TO 100MHZ
 INSULATION RESISTANCE : >500MΩ PER ANSI-EIA-364-D METHOD 21
 MAX. CURRENT RATING : SEE INSULATOR DRAWING
 CONNECTOR TESTING : SEE INSULATOR DRAWING
 VOLTAGE :
 CONNECTOR WORKING : SEE INSULATOR DRAWING
 VOLTAGE :

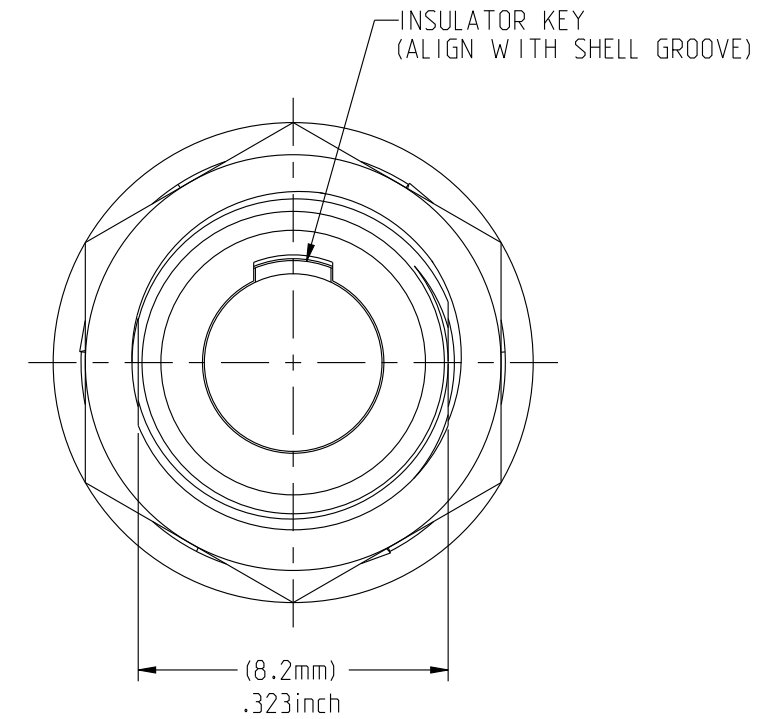
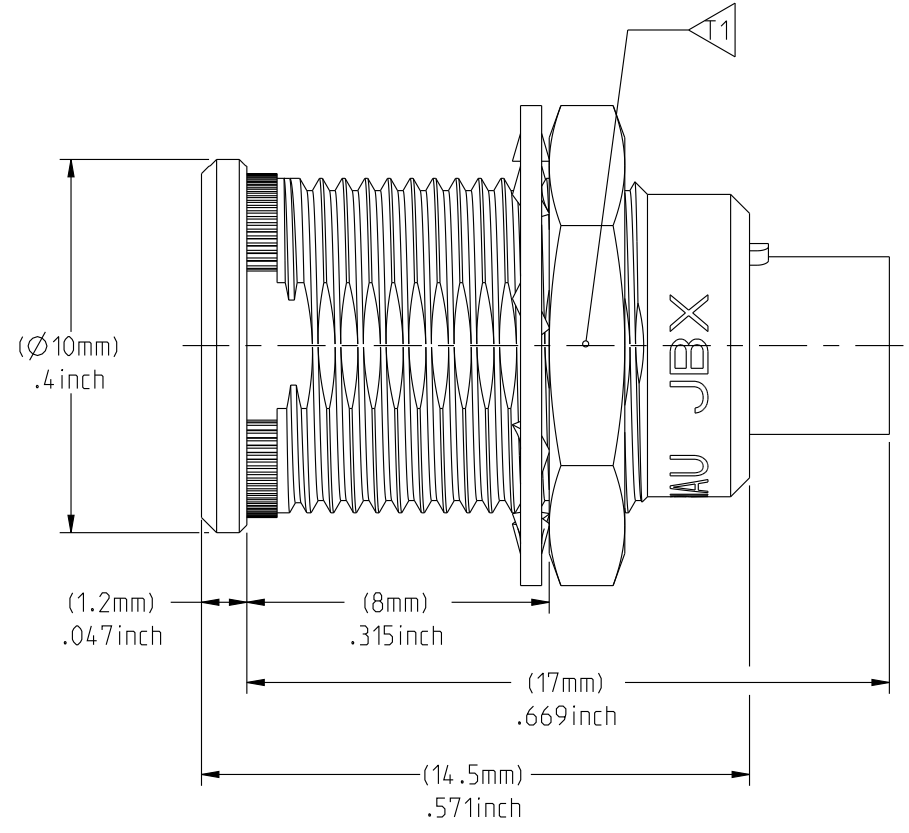
ENVIRONMENTAL :
 ENDURANCE: 1000 CYCLES AS PER MIL-STD 1344A, METHOD 2016.1
 SHOCK: 50 g , DURATION 6 ms; AS PER MIL-STD 1344A, METHOD 2004.1
 VIBRATIONS: 10 TO 2000Hz g = 20g, AS PER MIL-STD 1344A, METHOD 2005.1
 PROTECTION INDEX: IP 40 AS PER IEC 529
 ROHS COMPLIANT
 SALT MIST : 48Hr PER SAE AS 1344 METHOD 1001.1 CEI 529
 OPERATING TEMPERATURE: -55°C TO +125°C (-67°F TO +257°F)



NOTES:
 1 RED BAND
MATERIAL:
 OUTER SHELL & NUT : BRASS
 SHIELD RING :
FINISH:
 OUTER SHELL : CHROME
 OTHER BRASS PARTS : NICKEL
TOOLS

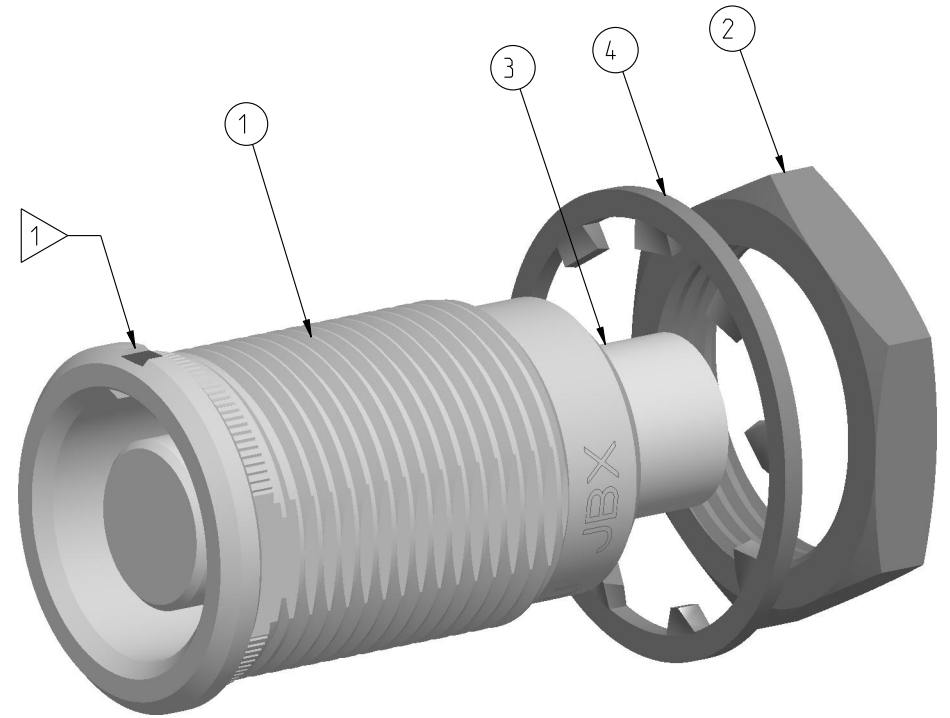


MATING SIDE VIEW



WIRE SIDE VIEW

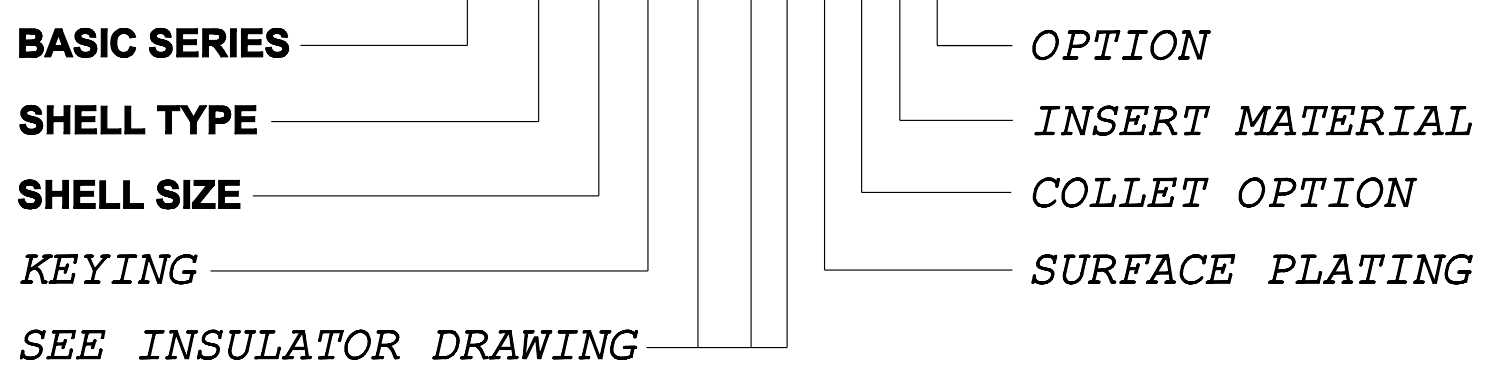
PART LIST	
ITEM NO.	DESCRIPTION
1	SHELL
2	HEX NUT
3	INSULATOR
4	LOCK WASHER



	TOOLS (JAW DIMENSION)	ADVISED TORQUE IN Nm
11	11	0.7

CATALOG NUMBER DESCRIPTION

JBX ER 0 XXXXXDXR



LINEAR MEASURE:	mm (INCH)
THIRD ANGLE PROJECTION	
TOLERANCES UNLESS OTHERWISE SPECIFIED	
No. OF PLACES	mm [INCH]
WHOLE No.	±0.5 [±.02]
ONE PLACE	±0.2 [±.008]
TWO PLACES	±0.1 [±.004]
ANGLES ±1°	

DRAWING TITLE
JBX, SIZE O, FRONT PANEL MOUNTING RECEPTACLE

CAT NO. **JBXERO**

CAGE NO: 09922 SIZE: C

CUSTOMER

SOURIAU
 WWW.SOURIAU.COM

APPROVAL
 DRAWN: TJS 01-07-15
 CHKD : EV 01-07-15
 DSGN : EV 01-07-15
 MFG : DH 01-07-15
 QC : BB 01-07-15
 DRAWING SCALE: 5:1
 DRAWING NO. REV
JBXEROC A

1 OF 1

THIS DRAWING IS A CONTROLLED DOCUMENT FOR SOURIAU USA, INC. IT IS SUBJECT TO CHANGE WITHOUT NOTIFICATION. CONTACT THE DOCUMENT CONTROL CENTER FOR THE LATEST REVISION.

C

C

B

B

A

THIS DRAWING IS A CONTROLLED DOCUMENT FOR SOURIAU USA, INC. IT IS SUBJECT TO CHANGE WITHOUT NOTICE. CONTACT THE DOCUMENT CONTROL CENTER FOR THE LATEST REVISION.

THE INFORMATION CONTAINED IN THIS DRAWING IS CONFIDENTIAL AND MAY NOT BE DISCLOSED WITHOUT WRITTEN CONSENT FROM SOURIAU USA, INC.

2

1

DWG. NO. JBX0INSFSC	FEMALE INSULATOR, SOLDER CONTACT																																																																											
CONTACT LAYOUT	02	03	04																																																																									
FRONT SIDE VIEW																																																																												
REAR SIDE VIEW																																																																												
CONTACT																																																																												
ISO VIEW																																																																												
CONTACT	<table border="1" style="width: 100%; border-collapse: collapse;"> <tr><td>ØC</td><td>0.9</td><td>0.9</td><td>0.7</td></tr> <tr><td>ØF</td><td>0.8</td><td>0.8</td><td>0.81</td></tr> <tr><td>MAX. AWG</td><td>24</td><td>24</td><td>22</td></tr> <tr><td>MAX. CURRENT RATING (A)</td><td>10</td><td>10</td><td>7</td></tr> <tr><td>CONTACT RESISTANCE (mΩ)</td><td>3.5</td><td>3.5</td><td>5</td></tr> <tr><td>NUMBER OF CAVITY</td><td>2</td><td>3</td><td>4</td></tr> </table>	ØC	0.9	0.9	0.7	ØF	0.8	0.8	0.81	MAX. AWG	24	24	22	MAX. CURRENT RATING (A)	10	10	7	CONTACT RESISTANCE (mΩ)	3.5	3.5	5	NUMBER OF CAVITY	2	3	4	<table border="1" style="width: 100%; border-collapse: collapse;"> <tr><td>ØC</td><td>0.9</td><td>0.9</td><td>0.7</td></tr> <tr><td>ØF</td><td>0.8</td><td>0.8</td><td>0.81</td></tr> <tr><td>MAX. AWG</td><td>24</td><td>24</td><td>22</td></tr> <tr><td>MAX. CURRENT RATING (A)</td><td>10</td><td>10</td><td>7</td></tr> <tr><td>CONTACT RESISTANCE (mΩ)</td><td>3.5</td><td>3.5</td><td>5</td></tr> <tr><td>NUMBER OF CAVITY</td><td>2</td><td>3</td><td>4</td></tr> </table>	ØC	0.9	0.9	0.7	ØF	0.8	0.8	0.81	MAX. AWG	24	24	22	MAX. CURRENT RATING (A)	10	10	7	CONTACT RESISTANCE (mΩ)	3.5	3.5	5	NUMBER OF CAVITY	2	3	4	<table border="1" style="width: 100%; border-collapse: collapse;"> <tr><td>ØC</td><td>0.9</td><td>0.9</td><td>0.7</td></tr> <tr><td>ØF</td><td>0.8</td><td>0.8</td><td>0.81</td></tr> <tr><td>MAX. AWG</td><td>24</td><td>24</td><td>22</td></tr> <tr><td>MAX. CURRENT RATING (A)</td><td>10</td><td>10</td><td>7</td></tr> <tr><td>CONTACT RESISTANCE (mΩ)</td><td>3.5</td><td>3.5</td><td>5</td></tr> <tr><td>NUMBER OF CAVITY</td><td>2</td><td>3</td><td>4</td></tr> </table>	ØC	0.9	0.9	0.7	ØF	0.8	0.8	0.81	MAX. AWG	24	24	22	MAX. CURRENT RATING (A)	10	10	7	CONTACT RESISTANCE (mΩ)	3.5	3.5	5	NUMBER OF CAVITY	2	3	4	
ØC	0.9	0.9	0.7																																																																									
ØF	0.8	0.8	0.81																																																																									
MAX. AWG	24	24	22																																																																									
MAX. CURRENT RATING (A)	10	10	7																																																																									
CONTACT RESISTANCE (mΩ)	3.5	3.5	5																																																																									
NUMBER OF CAVITY	2	3	4																																																																									
ØC	0.9	0.9	0.7																																																																									
ØF	0.8	0.8	0.81																																																																									
MAX. AWG	24	24	22																																																																									
MAX. CURRENT RATING (A)	10	10	7																																																																									
CONTACT RESISTANCE (mΩ)	3.5	3.5	5																																																																									
NUMBER OF CAVITY	2	3	4																																																																									
ØC	0.9	0.9	0.7																																																																									
ØF	0.8	0.8	0.81																																																																									
MAX. AWG	24	24	22																																																																									
MAX. CURRENT RATING (A)	10	10	7																																																																									
CONTACT RESISTANCE (mΩ)	3.5	3.5	5																																																																									
NUMBER OF CAVITY	2	3	4																																																																									
INSULATOR	<table border="1" style="width: 100%; border-collapse: collapse;"> <tr><td>MAX. CURRENT RATING</td><td>10</td><td>8</td><td>7</td></tr> <tr><td>TEST VOLTAGE (Vrms)</td><td>1400</td><td>1300</td><td>1350</td></tr> <tr><td>WORKING VOLTAGE (Vdc/Vrms)</td><td>660/460</td><td>600/420</td><td>660/460</td></tr> </table>	MAX. CURRENT RATING	10	8	7	TEST VOLTAGE (Vrms)	1400	1300	1350	WORKING VOLTAGE (Vdc/Vrms)	660/460	600/420	660/460	<table border="1" style="width: 100%; border-collapse: collapse;"> <tr><td>MAX. CURRENT RATING</td><td>10</td><td>8</td><td>7</td></tr> <tr><td>TEST VOLTAGE (Vrms)</td><td>1400</td><td>1300</td><td>1350</td></tr> <tr><td>WORKING VOLTAGE (Vdc/Vrms)</td><td>660/460</td><td>600/420</td><td>660/460</td></tr> </table>	MAX. CURRENT RATING	10	8	7	TEST VOLTAGE (Vrms)	1400	1300	1350	WORKING VOLTAGE (Vdc/Vrms)	660/460	600/420	660/460	<table border="1" style="width: 100%; border-collapse: collapse;"> <tr><td>MAX. CURRENT RATING</td><td>10</td><td>8</td><td>7</td></tr> <tr><td>TEST VOLTAGE (Vrms)</td><td>1400</td><td>1300</td><td>1350</td></tr> <tr><td>WORKING VOLTAGE (Vdc/Vrms)</td><td>660/460</td><td>600/420</td><td>660/460</td></tr> </table>	MAX. CURRENT RATING	10	8	7	TEST VOLTAGE (Vrms)	1400	1300	1350	WORKING VOLTAGE (Vdc/Vrms)	660/460	600/420	660/460																																					
MAX. CURRENT RATING	10	8	7																																																																									
TEST VOLTAGE (Vrms)	1400	1300	1350																																																																									
WORKING VOLTAGE (Vdc/Vrms)	660/460	600/420	660/460																																																																									
MAX. CURRENT RATING	10	8	7																																																																									
TEST VOLTAGE (Vrms)	1400	1300	1350																																																																									
WORKING VOLTAGE (Vdc/Vrms)	660/460	600/420	660/460																																																																									
MAX. CURRENT RATING	10	8	7																																																																									
TEST VOLTAGE (Vrms)	1400	1300	1350																																																																									
WORKING VOLTAGE (Vdc/Vrms)	660/460	600/420	660/460																																																																									

CATALOG NUMBER DESCRIPTION

JBXXX 0 X YY F S XXXX

BASIC SERIES		OPTION	
SHELL TYPE		INSERT MATERIAL	
SHELL SIZE		COLLET OPTION	
KEYING		SURFACE PLATING	
CONTACT LAYOUT		CONTACT TERMINATION	
		CONTACT TYPE	

REV	DESCRIPTION	BY	DATE	CHKD	DATE
B	REVISED PER ECN 12286	RSK	06-10-15	EV	06-10-15
A	RELEASED PER ECN 12264	TJS	03-10-15	EV	03-10-15

DRAWING TITLE
JBX, SIZE 0, FEMALE INSULATOR, SOLDER CONTACT

CAT. NO. **JBX0INSFSC**

CAGE NO: 09922	SIZE: B	DRAWN: TJS 02-04-15
CUSTOMER	SOURIAU	CHKD : EV 02-04-15
		DSGN : EV 02-04-15
		MFG : DH 02-04-15
		QC : BB 02-04-15
INTERPRET THIS DRAWING IN ACCORDANCE WITH ASME Y14.5M - 1994.		DRAWING SCALE: NA
WWW.SOURIAU.COM		DRAWING NO. REV
		JBX0INSFSC B
		1 OF 2

B

A

2

1

PRO-E

THIS DRAWING IS A CONTROLLED DOCUMENT FOR SOURIAU USA, INC. IT IS SUBJECT TO CHANGE WITHOUT NOTICE. CONTACT THE DOCUMENT CONTROL CENTER FOR THE LATEST REVISION.

THE INFORMATION CONTAINED IN THIS DRAWING IS CONFIDENTIAL AND MAY NOT BE DISCLOSED WITHOUT WRITTEN CONSENT FROM SOURIAU USA, INC.

2

1

DWG. NO. JBX0INSFSC					
CONTACT LAYOUT	05	06	07	08	
FRONT SIDE VIEW					
REAR SIDE VIEW					
CONTACT					
ISO VIEW					
	ØC	0.7	0.5	0.5	0.5
	ØF	0.81	0.5	0.5	0.5
	MAX. AWG	22	28	28	28
	MAX. CURRENT RATING (A)	7	5	5	5
	CONTACT RESISTANCE (mΩ)	5	10	10	10
	NUMBER OF CAVITY	5	6	7	8
	MAX. CURRENT RATING	6.5	2.5	2.5	2
	TEST VOLTAGE (Vrms)	800	680	680	680
	WORKING VOLTAGE (Vdc/Vrms)	400/260	320/220	320/220	190/130

B

A

DRAWING TITLE
JBX, SIZE O, FEMALE INSULATOR, SOLDER CONTACT

CAT NO. **JBX0INSFS**

CAGE NO: 09922 SIZE: B

CUSTOMER

SOURIAU

INTERPRET THIS DRAWING IN ACCORDANCE WITH ASME Y14.5M - 1994.

WWW.SOURIAU.COM

APPROVAL	DRAWN: TJS 02-04-15
	CHKD : EV 02-04-15
	DSGN : EV 02-04-15
	MFG : DH 02-04-15
QC : BB 02-04-15	
DRAWING SCALE: NA	
DRAWING NO. REV	
JBX0INSFSC	B
2 OF 2	

LINEAR MEASURE:	
THIRD ANGLE PROJECTION	
TOLERANCES UNLESS OTHERWISE SPECIFIED	
No. OF PLACES	mm [INCH]
ONE PLACE	±3 [±.1]
TWO PLACES	±0.5 [±.02]
THREE PLACES	±0.25 [±.010]
ANGLES ±1°	

2

1

PRO-E

X-ON Electronics

Largest Supplier of Electrical and Electronic Components

Click to view similar products for [Circular Push Pull Connectors](#) category:

Click to view products by [Sunbank](#) manufacturer:

Other Similar products are found below :

[FEA.1B.308.CYCD72Z](#) [6408-201V-13273](#) [D38999/20ZC8JA](#) [D38999/20ZH21SA](#) [D38999/20ZH53SA](#) [D38999/20ZJ24SA](#)
[D38999/20ZJ29PA-LC](#) [D38999/20ZJ43HA](#) [D38999/20ZJ43PA-LC](#) [D38999/24ZC35BA](#) [D38999/24ZC4AA](#) [D38999/24ZC4SA-LC](#)
[D38999/24ZC8SA](#) [D38999/24ZC8SA-LC](#) [D38999/24ZC98BA](#) [D38999/24ZC98PA-LC](#) [D38999/24ZC98SA](#) [D38999/24ZC98SA-LC](#)
[D38999/24ZF11SA-LC](#) [D38999/24ZF32BA](#) [D38999/24ZF32PA-LC](#) [D38999/24ZF32SA-LC](#) [D38999/24ZF35BA](#) [D38999/24ZF35SA-LC](#)
[EXG.00.250.NTNY](#) [FFA.1S.302.CLAZ](#) [FFA.2E.306.CLAC70Z](#) [FFG.1B.302.CYCD62](#) [FFG.1B.304.CLAD42Z](#) [FGA.1B.302.CYCD62Z](#)
[FGA.1B.304.CLAD62Z](#) [FGA.1B.305.CLAD76](#) [FGA.1B.307.CYCD72Z](#) [FGA.1B.308.CYCD42Z](#) [FGA.1B.310.CLAD42](#)
[FGA.1B.316.CLAD42](#) [FGA.1B.316.CLAD62Z](#) [FGA.1B.316.CLAD76](#) [FGB.0B.307.CYCD31Z](#) [FGE.1B.310.CLAD76](#)
[FGG.3P.306.PLWD75G](#) [FGJ.1B.306.CWLD62Z](#) [FPG.1B.307.CYCD52](#) [PCS.01.250.DLLE24](#) [FVG.0W.305.CLAC50](#) [PFC.1B.306.CLLD72](#)
[PHG.0K.303.CYMC40Z](#) [PHG.0K.305.CYMC40Z](#) [PHG.1B.306.CYMD76](#) [PHG.2B.310.CYMD92](#)