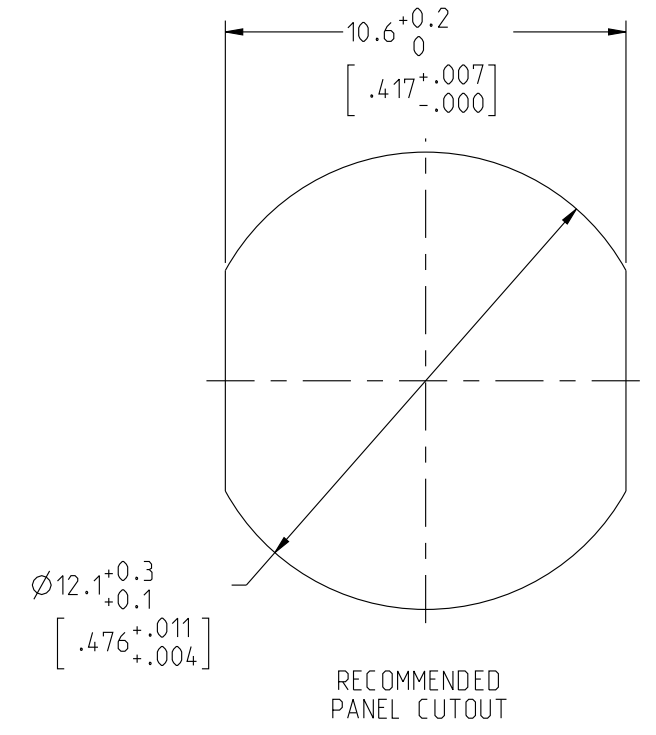


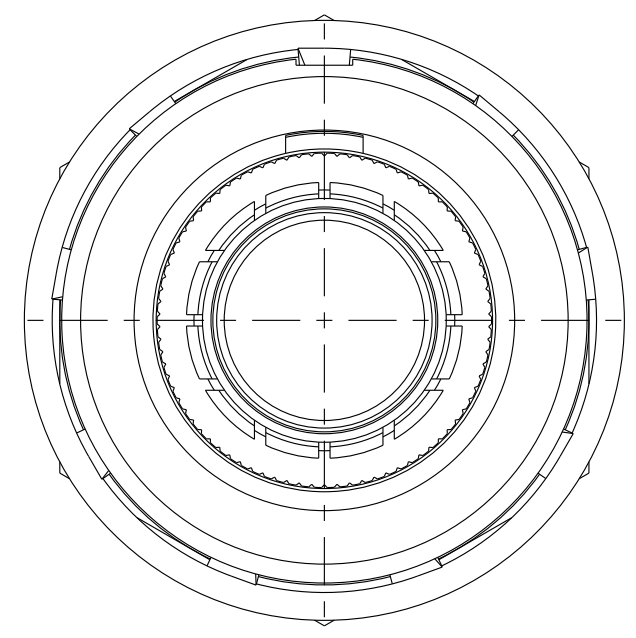
MASS (g)	VOLUME (mm <sup>3</sup> )
7.7	1320

**ELECTRICAL:**  
 EMI SHIELDING : SHIELDED FOR THE RANGE 55dB UP TO 100MHZ  
 INSULATION RESISTANCE : >500MΩ PER ANSI-EIA-364-D METHOD 21  
 MAX. CURRENT RATING : SEE INSULATOR DRAWING  
 CONNECTOR TESTING VOLTAGE : SEE INSULATOR DRAWING  
 CONNECTOR WORKING VOLTAGE : SEE INSULATOR DRAWING  
**ENVIRONMENTAL:**  
 ENDURANCE: 1000 CYCLES AS PER MIL-STD 1344A, METHOD 2016.1  
 SHOCK: 50 g . DURATION 6 ms; AS PER MIL-STD 1344A, METHOD 2004.1  
 VIBRATIONS: 10 TO 2000Hz g = 15g, AS PER MIL-STD 1344A, METHOD 2005.1  
 PROTECTION INDEX: IP 40 AS PER CEI 529  
 ROHS COMPLIANT  
 SALT MIST : 48Hr PER SAE AS 1344 METHOD 1001.1 CEI 529  
 OPERATING TEMPERATURE: -55°C TO +125°C (-67°F TO +257°F)

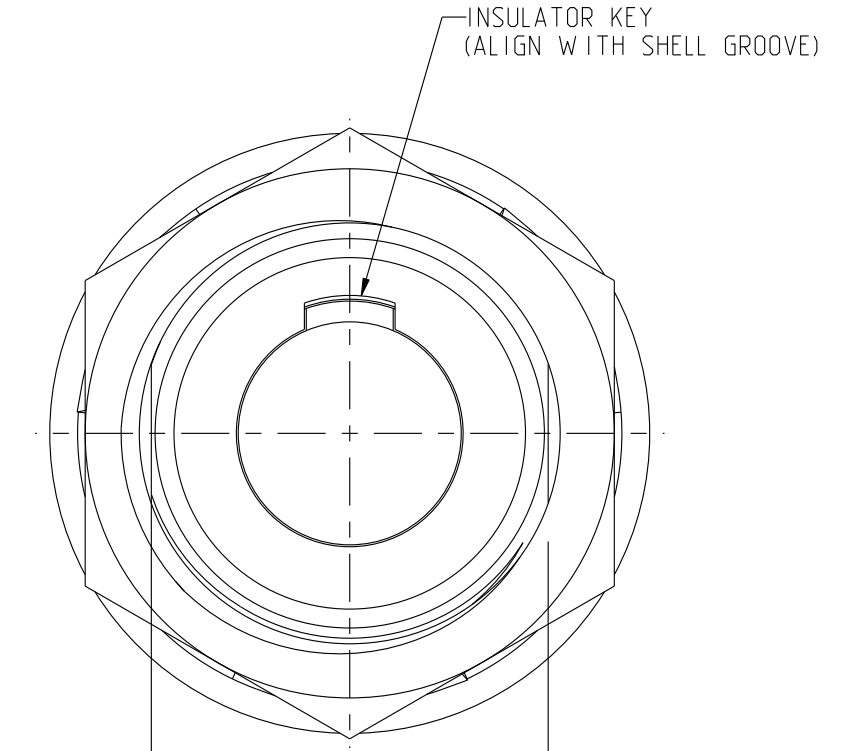
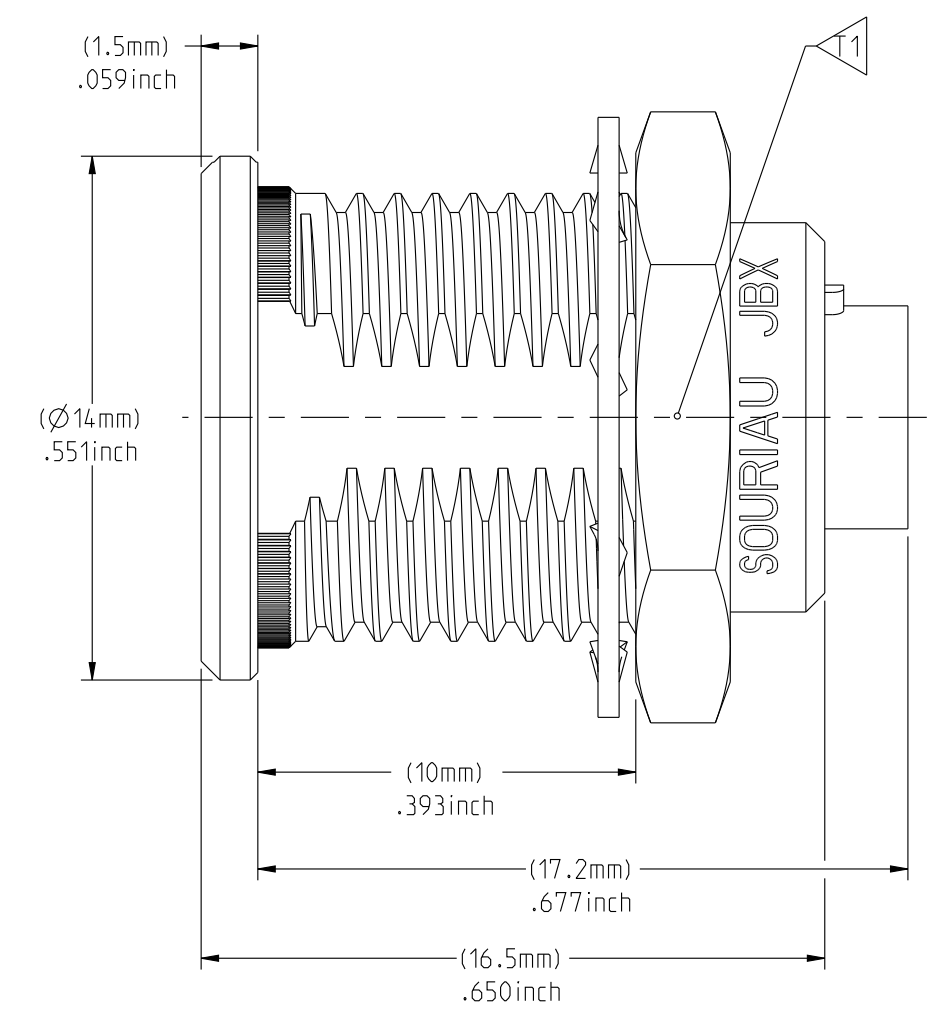


RECOMMENDED PANEL CUTOUT

**NOTES:**  
 1 RED BAND  
**MATERIAL:**  
 OUTER SHELL : } BRASS  
 SHIELD RING & NUT: }  
**FINISH:**  
 OUTER SHELL: CHROME  
 OTHER BRASS PARTS : NICKEL  
 T TOOLS



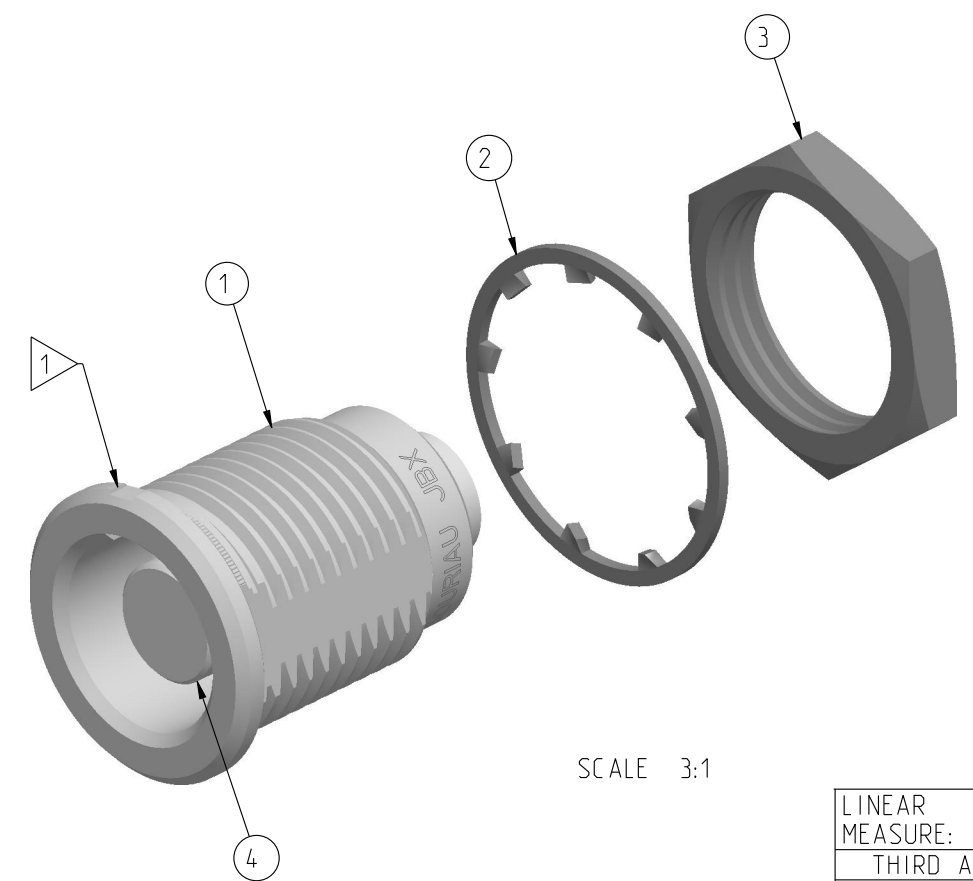
MATING SIDE VIEW



WIRE SIDE VIEW

TOOLS (JAW DIMENSION)	ADVISED TORQUE IN Nm
T1	14
	1.3

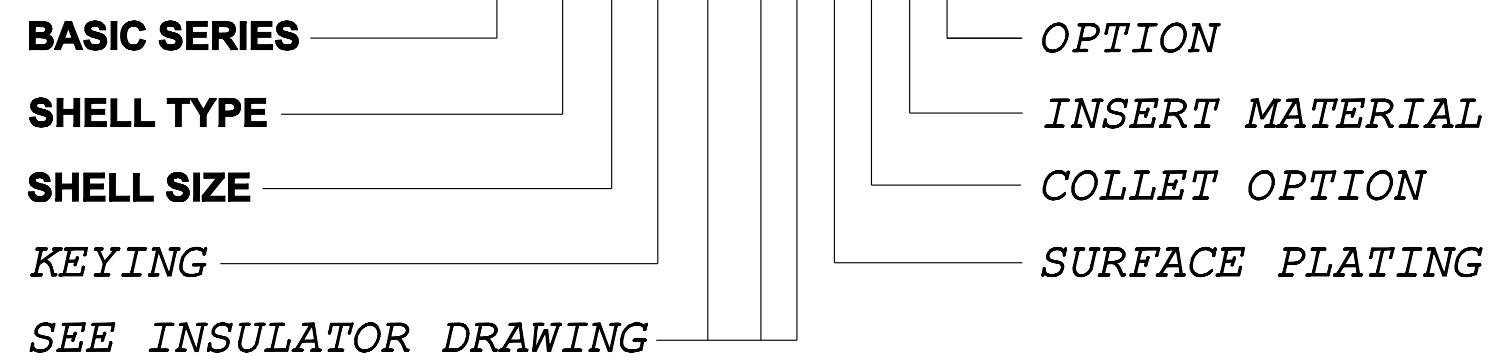
PART LIST	
ITEM NO.	DESCRIPTION
1	SHELL
2	LOCK WASHER
3	HEX NUT
4	INSULATOR



SCALE 3:1

CATALOG NUMBER DESCRIPTION

JBX ER 1 XXXXXDXR



A	RELEASED PER ECN 12258	SKV 06-10-15	EV 06-10-15
REV	DESCRIPTION	BY DATE	CHKD DATE

**DRAWING TITLE**  
**JBX, SIZE 1, FRONT PANEL MOUNTING RECEPTACLE**  
 CAT NO. **JBXER1**

CAGE NO: 09922 SIZE: C

**CUSTOMER**

**SOURIAU**  
 www.souriau.com

APPROVAL  
 DRAWN: SKV 01-12-15  
 CHKD : EV 01-12-15  
 DSGN : EV 01-12-15  
 MFG : DH 01-12-15  
 QC : BB 01-12-15  
 DRAWING SCALE: 5:1  
 DRAWING NO. REV  
**JBXERIC** A

1 OF 1

LINEAR MEASURE:	mm (INCH)
THIRD ANGLE PROJECTION	
TOLERANCES UNLESS OTHERWISE SPECIFIED	
No. OF PLACES	mm [INCH]
WHOLE No.	±0.5 [±.02]
ONE PLACE	±0.2 [±.008]
TWO PLACES	±0.1 [±.004]
ANGLES ±1°	

INTERPRET THIS DRAWING IN ACCORDANCE WITH ASME Y14.5M - 1994.

THIS DRAWING IS A CONTROLLED DOCUMENT FOR SOURIAU USA, INC. IT IS SUBJECT TO CHANGE WITHOUT NOTIFICATION. CONTACT THE DOCUMENT CONTROL CENTER FOR THE LATEST REVISION.

THE INFORMATION CONTAINED IN THIS DRAWING IS CONFIDENTIAL AND MAY NOT BE DISCLOSED WITHOUT WRITTEN CONSENT FROM SOURIAU USA, INC.

THIS DRAWING IS A CONTROLLED DOCUMENT FOR SOURIAU USA, INC. IT IS SUBJECT TO CHANGE WITHOUT NOTICE. CONTACT THE DOCUMENT CONTROL CENTER FOR THE LATEST REVISION.

THE INFORMATION CONTAINED IN THIS DRAWING IS CONFIDENTIAL AND MAY NOT BE DISCLOSED WITHOUT WRITTEN CONSENT FROM SOURIAU USA, INC.

2

1

DWG. NO. JBX11NSFCC	<b>FEMALE INSULATOR, CRIMP CONTACT</b>			
<b>CONTACT LAYOUT</b>	<b>02</b>	<b>03</b>	<b>04</b>	<b>05</b>
FRONT SIDE VIEW				
REAR SIDE VIEW				
CONTACT				
ISO VIEW				
CONTACT	ØC	1.3	1.3	0.9
	ØF	1.4	1.4	1.1
	MAX. AWG	18	18	20
	MAX. CURRENT RATING (A)	15	15	10
	CONTACT RESISTANCE (mΩ)	3	3	3.5
INSULATOR	NUMBER OF CAVITY	2	3	4
	MAX. CURRENT RATING	15	12	10
	TEST VOLTAGE (Vrms)	1600	1300	1900
	WORKING VOLTAGE (Vdc/Vrms)	760/530	600/420	900/630
				660/460

**CONTACT TYPE :** F (FEMALE)  
**CONTACT TERMINATION :** C (CRIMP)

**MATERIAL :**  
 CONTACT: CUPRO NICKEL  
 CLIP: COPPER ALLOY  
 INSULATOR: PEEK  
 FINISH: GOLD  
 CONTACTS: GOLD

**CATALOG NUMBER DESCRIPTION**

**JBXXX 1 X YY F C XXXX**

**BASIC SERIES** ——— **OPTION**  
**SHELL TYPE** ——— **INSERT MATERIAL**  
**SHELL SIZE** ——— **COLLET OPTION**  
**KEYING** ——— **SURFACE PLATING**  
**CONTACT LAYOUT** ——— **CONTACT TERMINATION**  
————— **CONTACT TYPE**

REV	DESCRIPTION	BY	DATE	CHKD	DATE
B	REVISED PER ECN 12286	RSK	06-10-15	EV	06-10-15
A	RELEASED PER ECN 12264	SKV	03-10-15	EV	03-10-15

DRAWING TITLE  
**JBX, SIZE 1, FEMALE INSULATOR, CRIMP CONTACT**

CAT. NO. **JBX11NSFC**

CAGE NO: 09922	SIZE: B																												
<b>CUSTOMER</b>	<b>SOURIAU</b>	<table border="1" style="width: 100%; border-collapse: collapse;"> <tr> <td style="width: 20%;">DRAWN:</td> <td style="width: 20%;">SKV</td> <td style="width: 20%;">02-02-15</td> </tr> <tr> <td>CHKD :</td> <td>EV</td> <td>02-02-15</td> </tr> <tr> <td>DSGN :</td> <td>EV</td> <td>02-02-15</td> </tr> <tr> <td>MFG :</td> <td>DH</td> <td>02-02-15</td> </tr> <tr> <td>QC :</td> <td>BB</td> <td>02-02-15</td> </tr> <tr> <td colspan="3" style="text-align: center;">DRAWING SCALE: NA</td> </tr> <tr> <td colspan="3" style="text-align: center;">DRAWING NO. REV</td> </tr> <tr> <td colspan="2">JBX11NSFCC</td> <td style="text-align: center;">B</td> </tr> <tr> <td colspan="3" style="text-align: center;">1 OF 2</td> </tr> </table>	DRAWN:	SKV	02-02-15	CHKD :	EV	02-02-15	DSGN :	EV	02-02-15	MFG :	DH	02-02-15	QC :	BB	02-02-15	DRAWING SCALE: NA			DRAWING NO. REV			JBX11NSFCC		B	1 OF 2		
DRAWN:	SKV	02-02-15																											
CHKD :	EV	02-02-15																											
DSGN :	EV	02-02-15																											
MFG :	DH	02-02-15																											
QC :	BB	02-02-15																											
DRAWING SCALE: NA																													
DRAWING NO. REV																													
JBX11NSFCC		B																											
1 OF 2																													

INTERPRET THIS DRAWING IN ACCORDANCE WITH ASME Y14.5M - 1994.

**WWW.SOURIAU.COM**

B

A

2

1

PRO-E

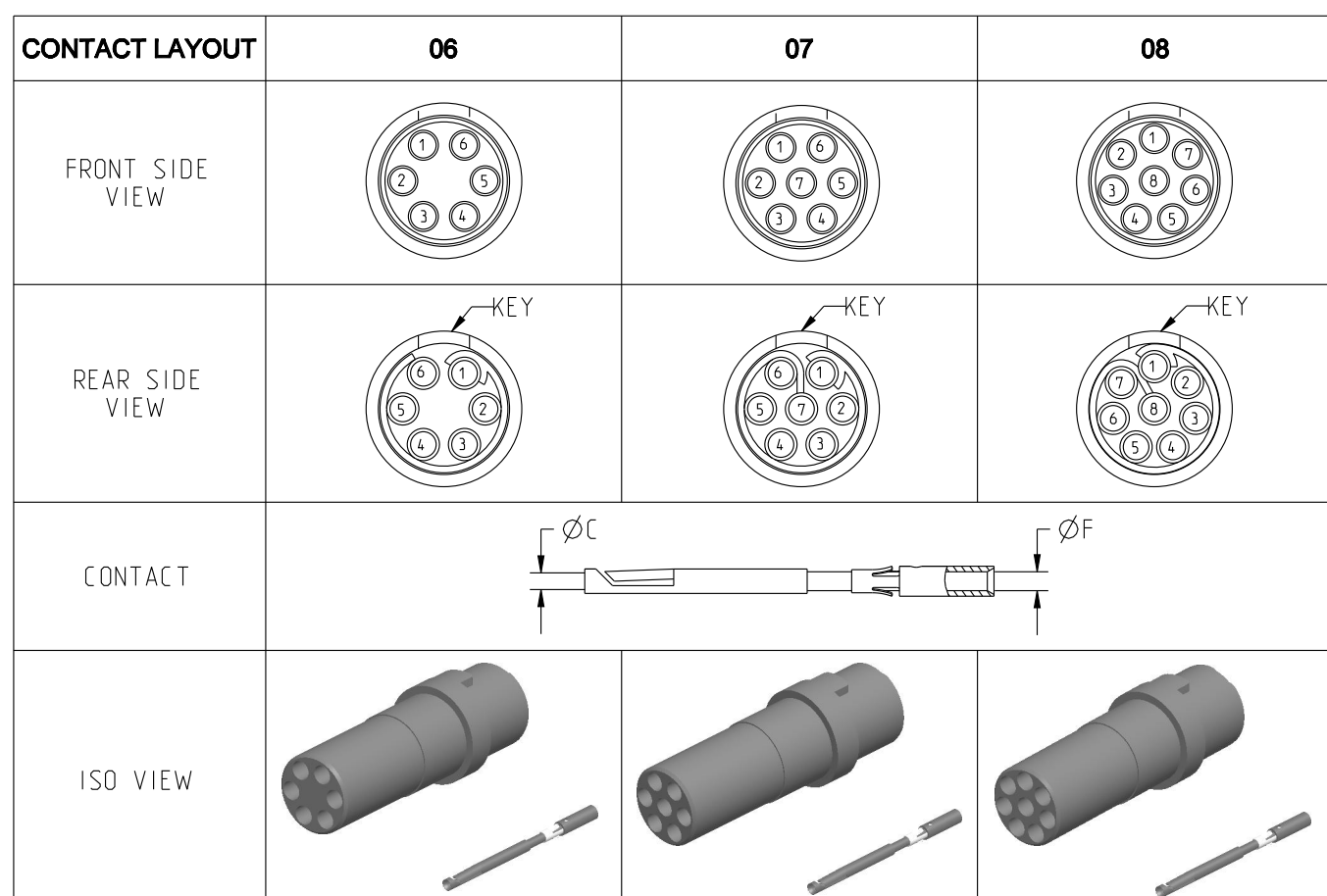
THIS DRAWING IS A CONTROLLED DOCUMENT FOR SOURIAU USA, INC. IT IS SUBJECT TO CHANGE WITHOUT NOTICE. CONTACT THE DOCUMENT CONTROL CENTER FOR THE LATEST REVISION.

THE INFORMATION CONTAINED IN THIS DRAWING IS CONFIDENTIAL AND MAY NOT BE DISCLOSED WITHOUT WRITTEN CONSENT FROM SOURIAU USA, INC.

2

1

DWG. NO. JBX11NSFCC



CONTACT	ØC	0.7	0.7	0.7
	ØF	0.85	0.85	0.85
	MAX. AWG	22	22	22
	MAX. CURRENT RATING (A)	7	7	7
INSULATOR	CONTACT RESISTANCE (mΩ)	5	5	5
	NUMBER OF CAVITY	6	7	8
	MAX. CURRENT RATING	7	7	5
	TEST VOLTAGE (Vrms)	1400	1400	1200
	WORKING VOLTAGE (Vdc/Vrms)	660/460	660/460	600/420

LINEAR MEASURE:	
THIRD ANGLE PROJECTION	
TOLERANCES UNLESS OTHERWISE SPECIFIED	
No. OF PLACES	mm [INCH]
ONE PLACE	±3 [±.1]
TWO PLACES	±0.5 [±.02]
THREE PLACES	±0.25 [±.010]
ANGLES ±1°	

DRAWING TITLE  
**JBX, SIZE 1, FEMALE INSULATOR, CRIMP CONTACT**

CAT. NO. **JBX11NSFC**

CAGE NO: 09922	SIZE: B	APPROVAL	DRAWN: SKV 02-02-15
<b>CUSTOMER</b>	<b>SOURIAU</b>		CHKD : EV 02-02-15
			DSGN : EV 02-02-15
INTERPRET THIS DRAWING IN ACCORDANCE WITH ASME Y14.5M - 1994.	<b>WWW.SOURIAU.COM</b>		MFG : DH 02-02-15
			QC : BB 02-02-15
		DRAWING SCALE: NA	
		DRAWING NO. REV	
		JBX11NSFCC B	
		2 OF 2	

B

A

2

1

PRO-E

## X-ON Electronics

Largest Supplier of Electrical and Electronic Components

*Click to view similar products for [Circular Push Pull Connectors](#) category:*

*Click to view products by [Sunbank](#) manufacturer:*

Other Similar products are found below :

[6407-249V-11273P](#) [6408-201V-13273](#) [6408-202V-13343](#) [6408-202V-17343](#) [EZG.0B.309.CLN](#) [FFA.2S.310.ZLA](#) [FGJ.1B.304.CLLD76](#)  
[FGJ.1B.306.CWLD72](#) [FGJ.3B.304.CYMD10Z](#) [FGJ.3B.304.CYMD82Z](#) [FHG.1B.303.CYCZ](#) [PCS.01.250.DLLE24](#) [PHG.0K.305.CYMC40Z](#)  
[PHG.1K.308.CLLK85](#) [PKG.M0.6BL.LZ](#) [PLC.M1.0SL.LA](#) [GMA.10.290.DN](#) [GMA.3B.090.DA](#) [PRG.M0.6GL.LC52GZ](#) [PSA.1S.275.CTLC66](#)  
[ABF.1S.250.NTA](#) [133020F](#) [1331ER193MZ](#) [1332M107MZ](#) [DTS26Z19-32JA-LC](#) [DTS26Z19-32SA](#) [DTS26Z19-32SA-LC](#) [EAJ.1B.306.CWA](#)  
[ECG.XB.312.CLL](#) [1589430-2](#) [EEA.0B.305.CLN](#) [EEA.0B.309.CLL](#) [ELF.00.250.NTL](#) [ERA.01.250.DLL](#) [BRR.2S.200.PZVG](#) [HR10A-P](#)  
[CAH.M34.SLL.C72GZ](#) [CAJ.M34.SLL.C72GZ](#) [300500](#) [ESB.00.303.NLL](#) [EXG.0B.309.HLN](#) [FFB.1S.250.CLAC27](#) [FGA.2B.306.CYCD92](#)  
[FGA.2B.306.CYCD92Z](#) [FGJ.3B.308.CLLD72Z](#) [FHG.1B.303.CYCD62](#) [FLC.00.250.CTAC27](#) [FLC.00.250.CTAC31](#) [PCS.01.250.DLLE31](#)  
[PKA.M1.0TL.LG](#)